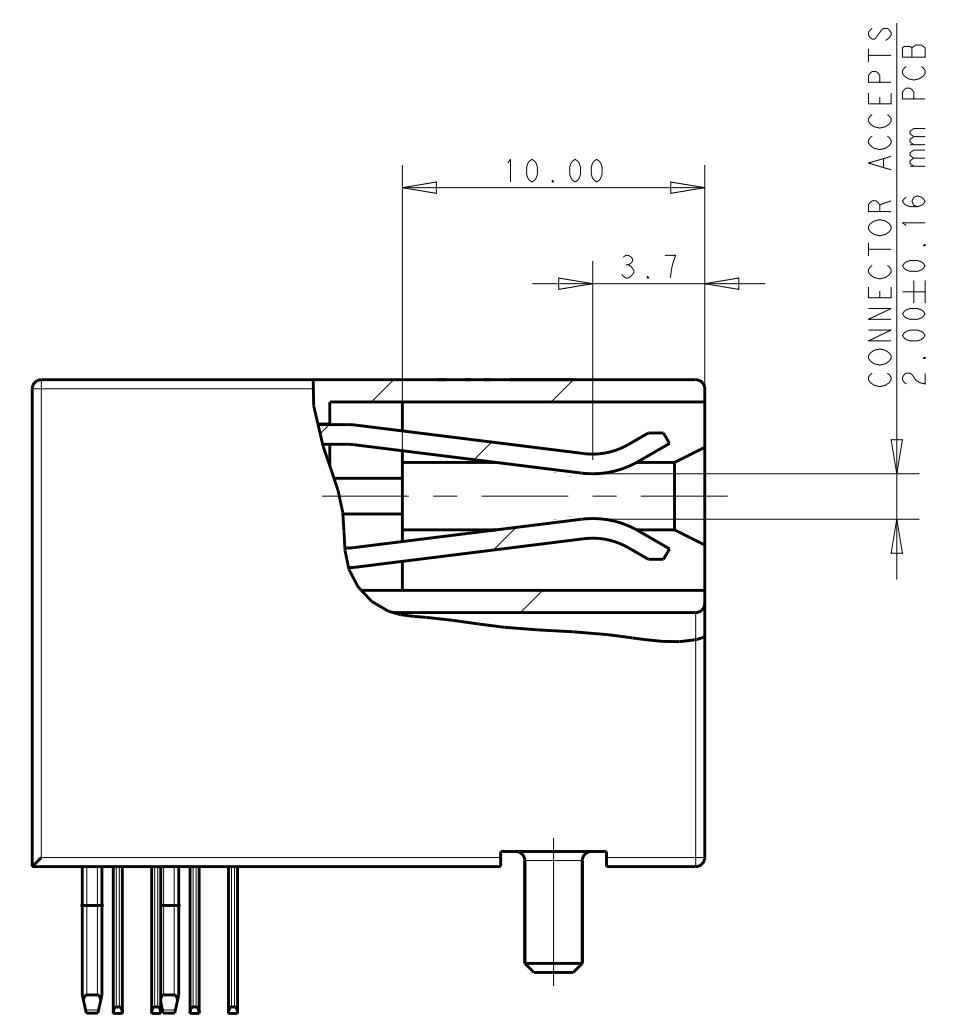
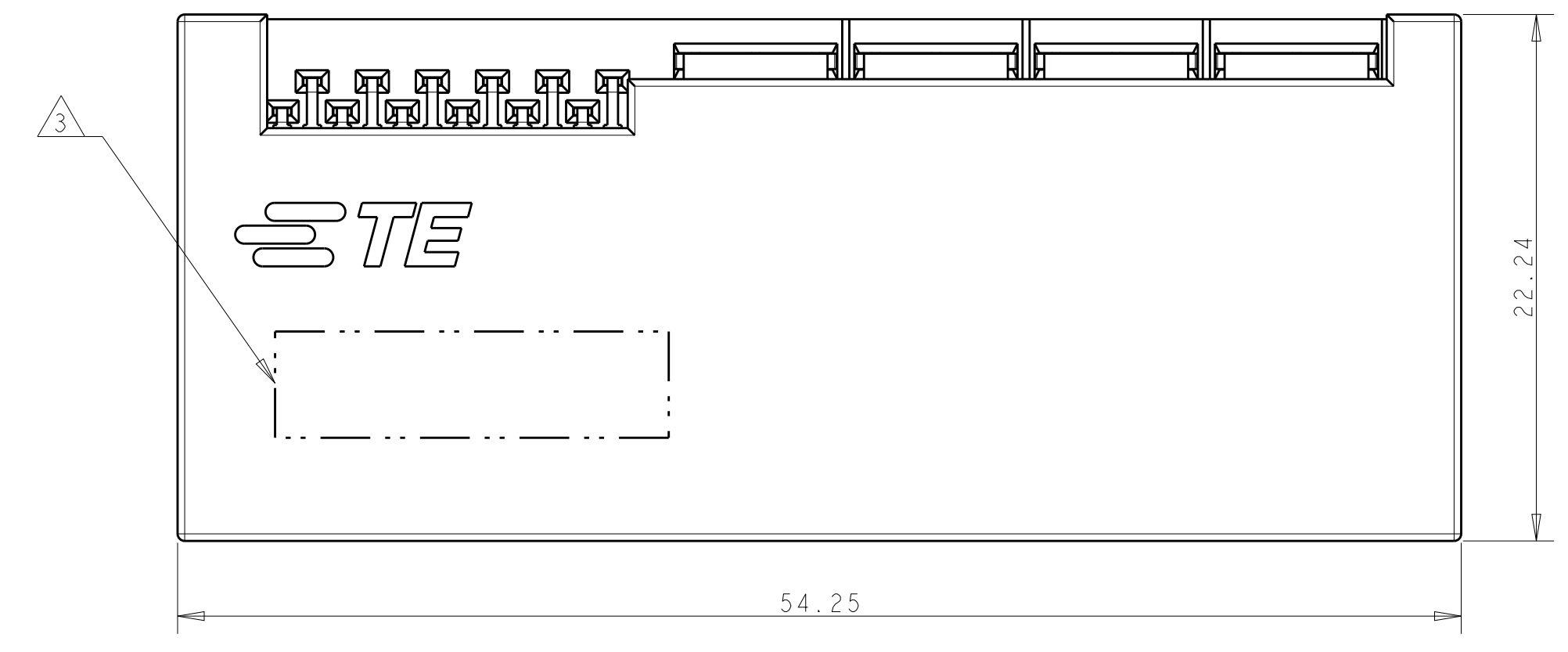
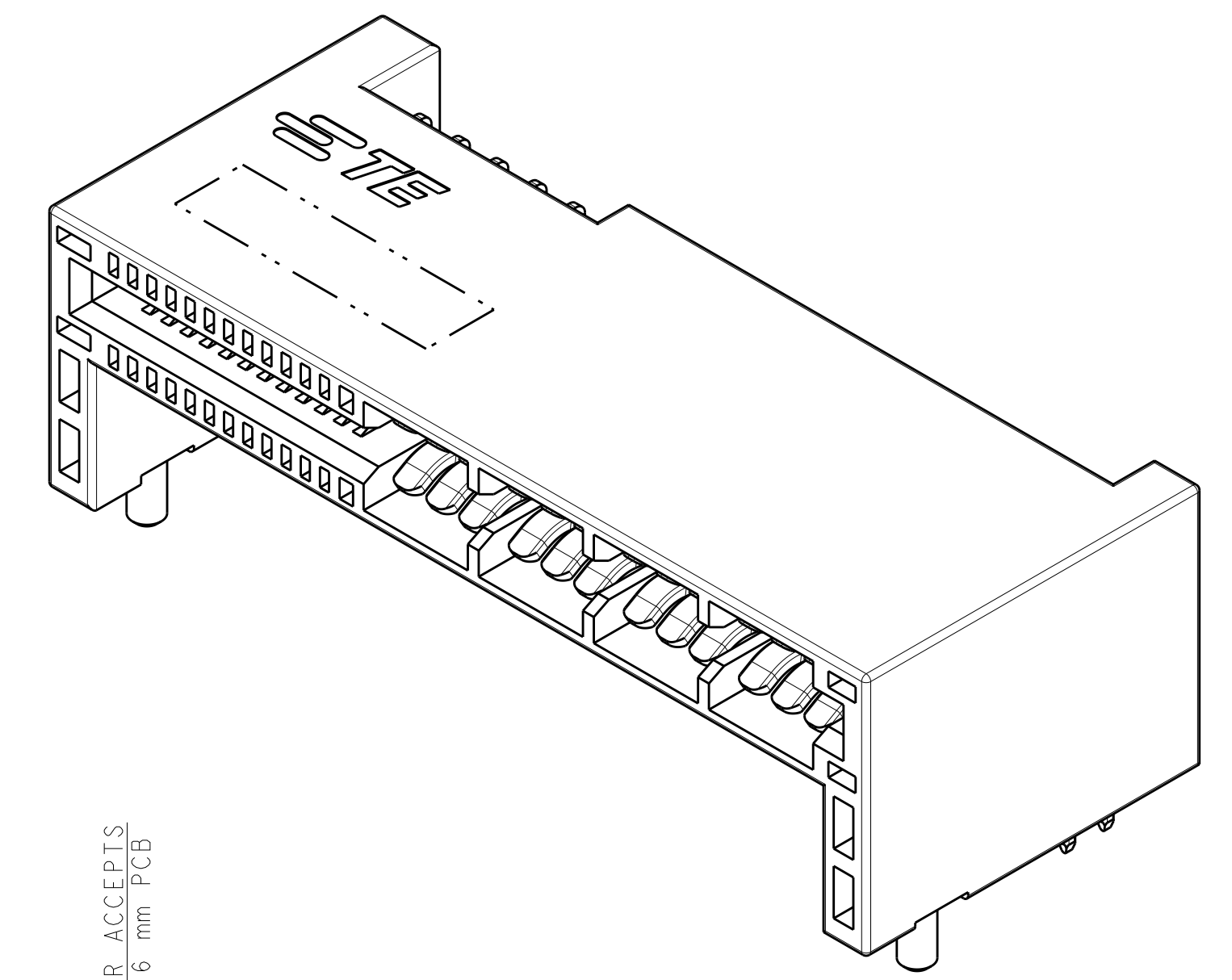
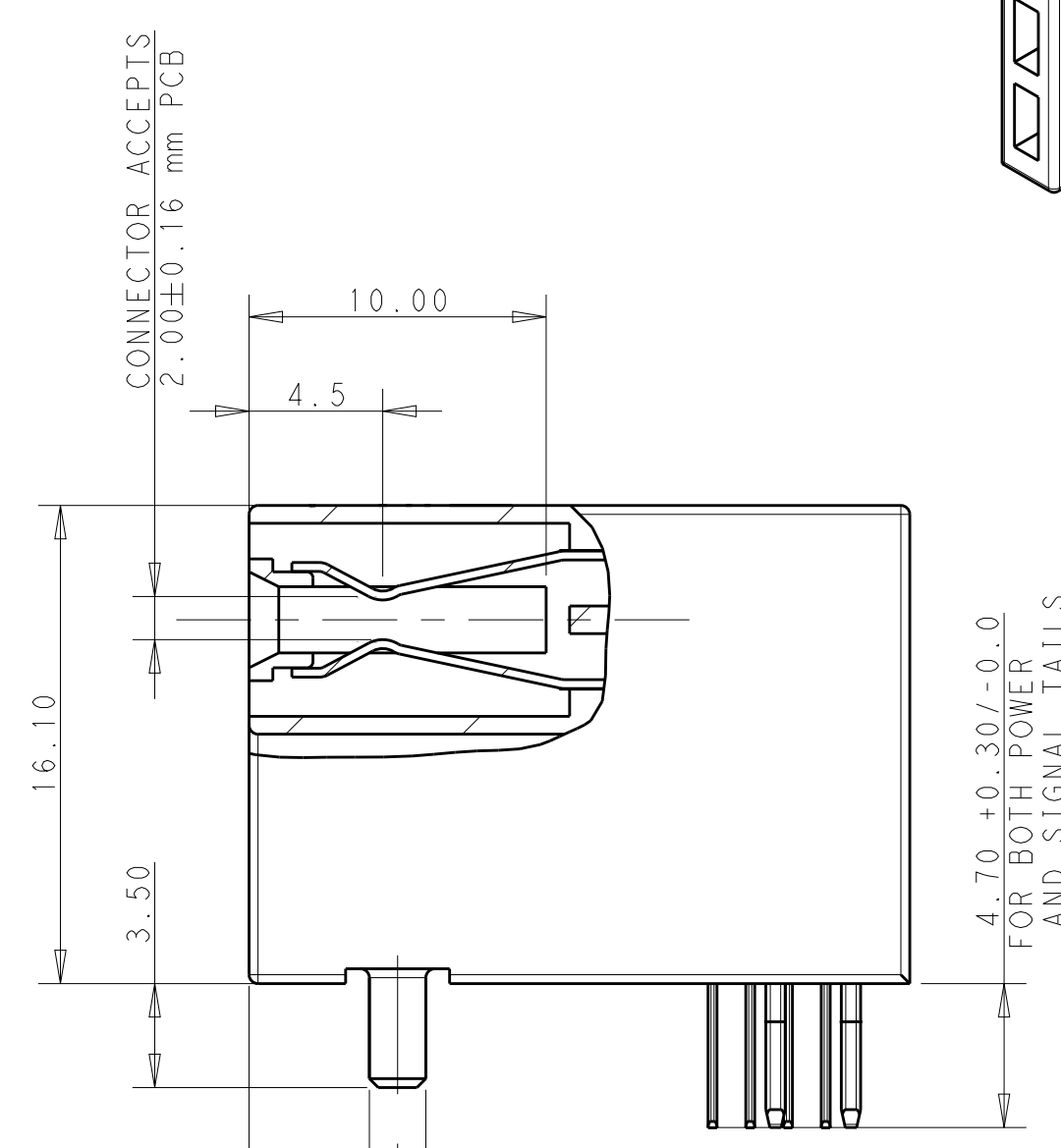
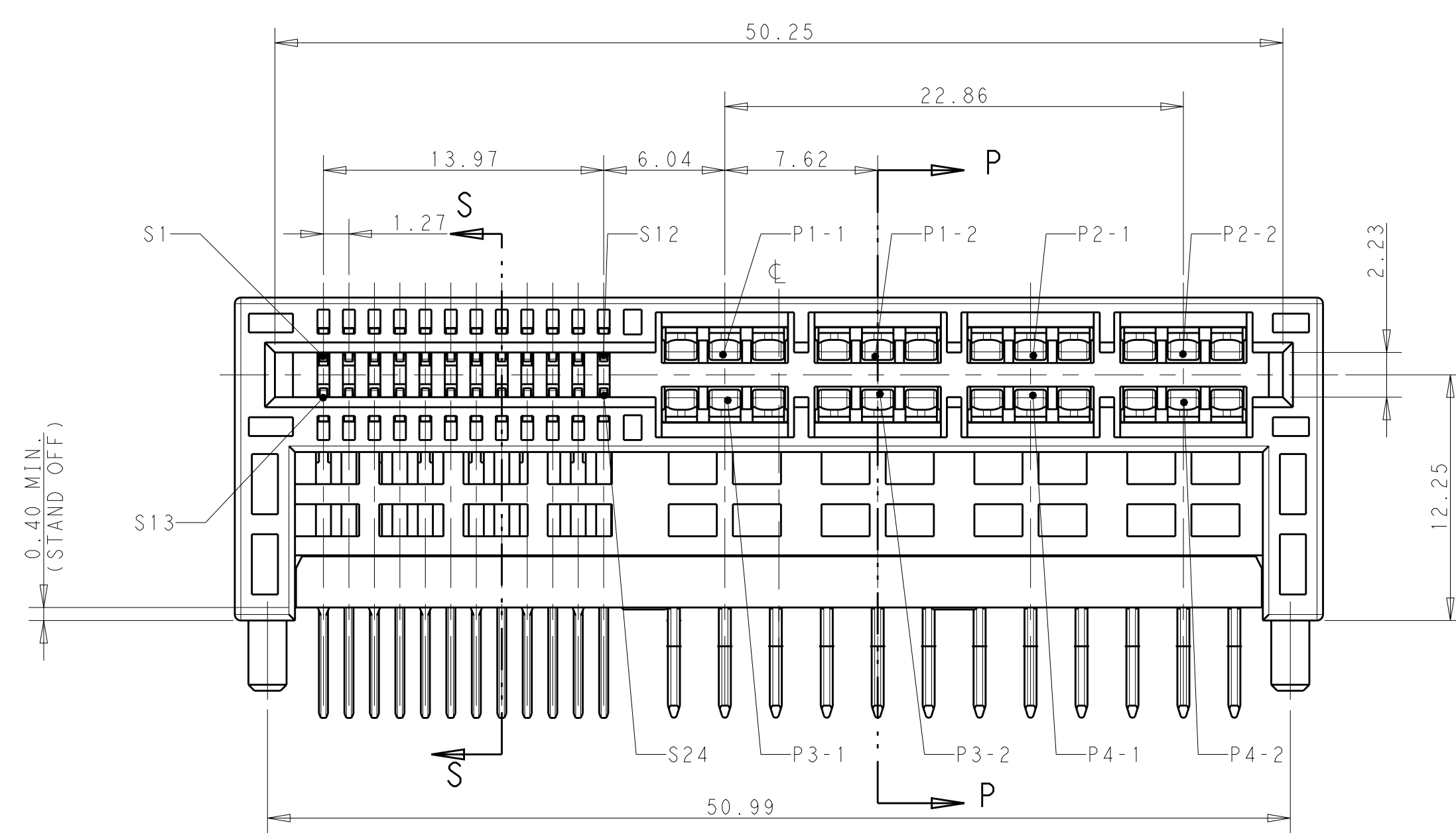


REVISIONS				
P	LTM	DESCRIPTION	DATE	APVD
A		FIRST RELEASE	18 JUN 2020	SZ SZ

- NOTES, UNLESS OTHERWISE SPECIFIED
- 1. MATERIAL:
    - HOUSING - THERMOPLASTIC, GLASS PREINFORCED, COLOR, BLACK, UL 94V-0
    - CONTACTS- COPPER ALLOY.
  - 2. FINISH:
    - MATING AREA - NOBLE METAL OVERALL NICKEL.
    - SOLDER TAIL - MATTE TIN OVERALL NICKEL.
  - 3. MARK P/N AND DATA CODE IN APPROX. AREA AS SHOWN.
  - 4. DETERMINED BY CUSTOMER.
  - 5. IR REFLOW COMPATIBLE:
    - TIME OVER LIQUIDUS(217°C): 60 TO 150S
    - PEAK TEMP.: 260+0/-5°C
    - TIME WITHIN 5°C OF PEAK: 20 TO 40S



SECTION P-P



SECTION S-S

CONNECTOR ACCEPTS  
2.00±0.16 mm PCB

0.40 MIN.  
(STAND OFF)

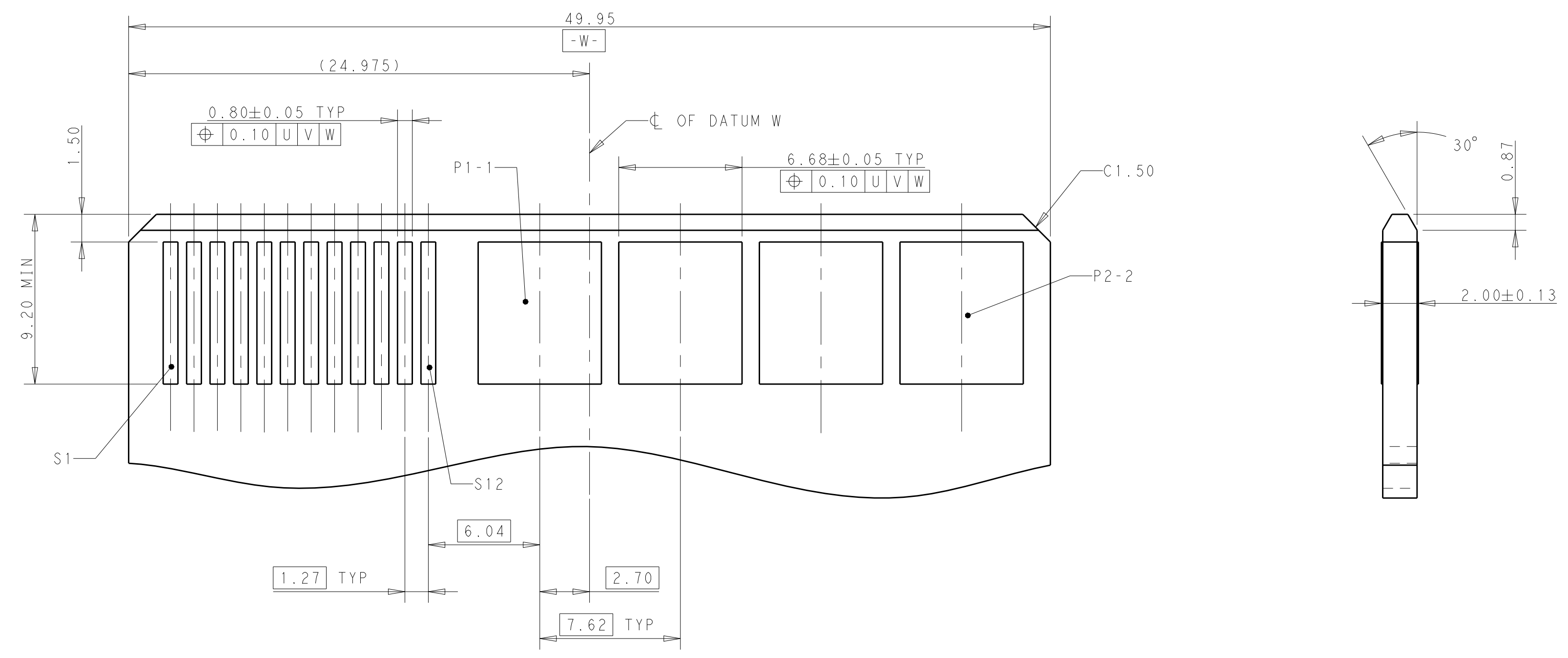
CONNECTOR ACCEPTS  
2.00±0.16 mm PCB

4.70 +0.30/-0.0  
FOR BOTH POWER  
AND SIGNAL TAILS

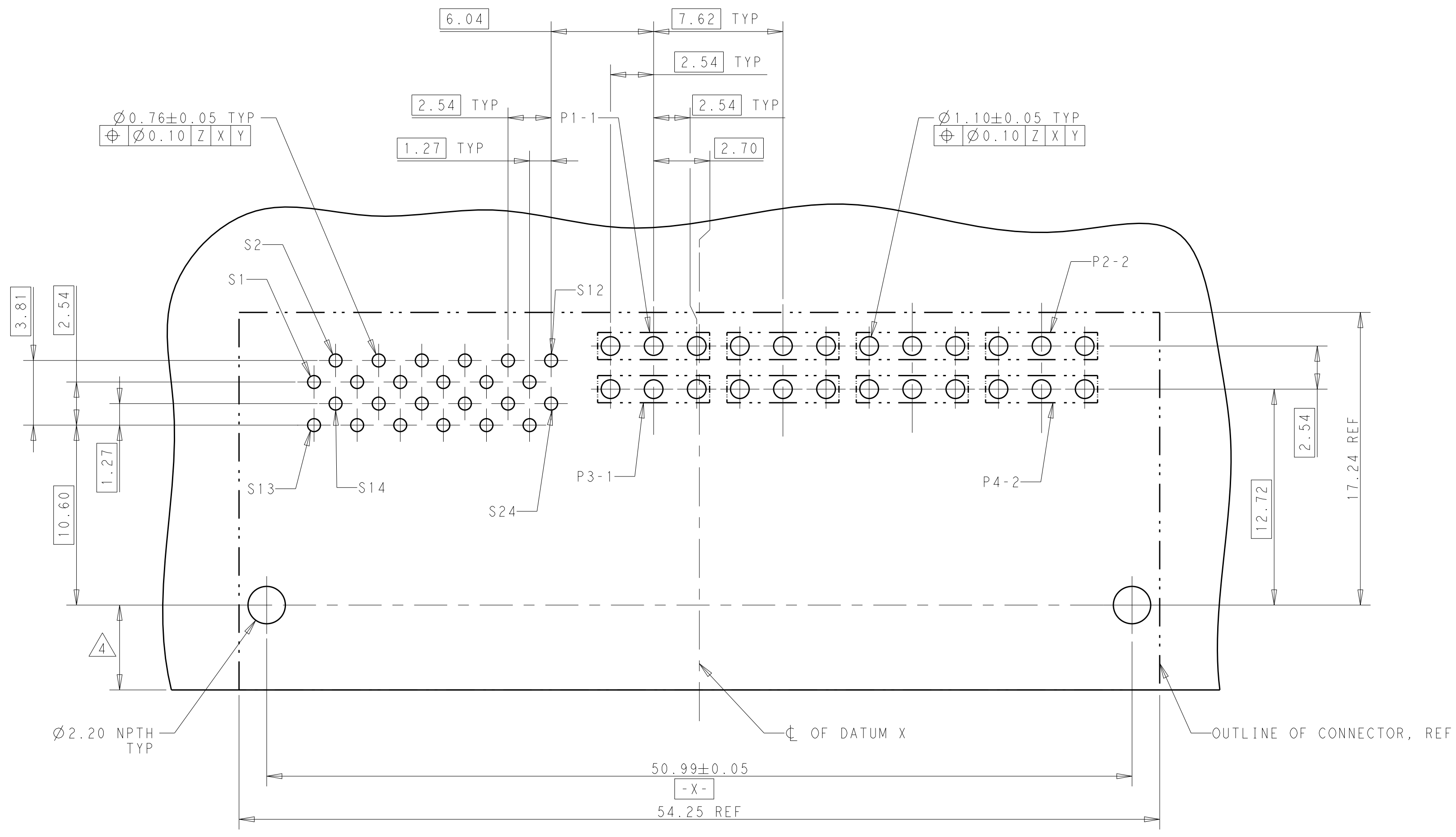
PART NUMBER 2363332-1

THIS DRAWING IS A CONTROLLED DOCUMENT.		OWN: SEAN ZHANG 24SEP2019	TE Connectivity	
DIMENSIONS:		CHK: -	NAME: HEIGHTEN RA POWER CARD EDGE	
mm	TOLERANCES UNLESS OTHERWISE SPECIFIED:	APVD: -	2x4P-2X12S	
0 PLC	±0.50	PRODUCT SPEC	108-128108	
2 PLC	±0.25	APPLICATION SPEC	114-32380	
4 PLC	±	WEIGHT	A1	
ANGLES	±	CAGE CODE	C=2363332	
MATERIAL:	FINISH:	CUSTOMER DRAWING	SCALE	SHEET 1 OF 2 REV A

REVISIONS				
P.	LTN	DESCRIPTION	DATE	APVD
-	-	SEE SHEET 1	-	-



RECOMMENDED MATING BOARD EDGE CONFIGURATION



RECOMMENDED MOUNTING BOARD CONFIGURATION LAYOUT  
VIEW FROM COMPONENT SIDE

THIS DRAWING IS A CONTROLLED DOCUMENT.		OWN: SEAN ZHANG	DATE: 24SEP2019	TE Connectivity
DIMENSIONS: mm		CHK: -	APVD: -	
DIMENSIONS: mm TOLERANCES UNLESS OTHERWISE SPECIFIED: 0 PLC ± 1 PLC ±0.10 2 PLC ±0.05 3 PLC ± 4 PLC ± ANGLES ±		NAME: HEIGHTEN RA POWER CARD EDGE 2x4P-2X12S PRODUCT SPEC: - APPLICATION SPEC: - WEIGHT: - CUSTOMER DRAWING		SIZE: A1 CAGE CODE: - DRAWING NO: C=2363332 RESTRICTED TO: -
MATERIAL: TBD		SCALE: NTS		SHEET 2 OF 2 REV A

## X-ON Electronics

Largest Supplier of Electrical and Electronic Components

*Click to view similar products for [Standard Card Edge Connectors](#) category:*

*Click to view products by [TE Connectivity](#) manufacturer:*

Other Similar products are found below :

[CR7E-30DB-3.96E\(72\)](#) [6364499-1](#) [6565204-6](#) [PKC-156](#) [1437274-4](#) [147889-1](#) [1489165-4](#) [EBT15622B2X](#) [1-582587-1](#) [284-0102-12100](#)  
[286-0052-12101A](#) [306022901000000](#) [307-012-502-202](#) [307-056-520-300](#) [2129318-1](#) [245-062-520-350](#) [287-0032-12101](#) [306-028-525-102](#)  
[307-072-526-202](#) [345-060-559-303](#) [392-008-559-201](#) [534671-1](#) [341-240-317](#) [345-044-500-300](#) [346-240-318](#) [395-100-524-300](#) [09-07-2032](#)  
[10035388-802LF](#) [10115859-011LF](#) [10122859-009LF](#) [10127905-B04B24BLF](#) [530555-1](#) [5-678046-1](#) [73726-0005](#) [66308-1](#) [1-1437275-6](#)  
[PEC-07-02-T-S-A](#) [346-014-520-801](#) [307-048-502-202](#) [CE100F22-9-C](#) [CE100F26-7-C](#) [CE100F28-3-D](#) [CE156F18-9-C](#) [CE156F22-5-D](#)  
[CE156F22-9-C](#) [CT100F22-2-D](#) [CT100F22-3-D](#) [CT100F24-2-D](#) [CT100F24-3-D](#) [CT100F24-6-C](#)