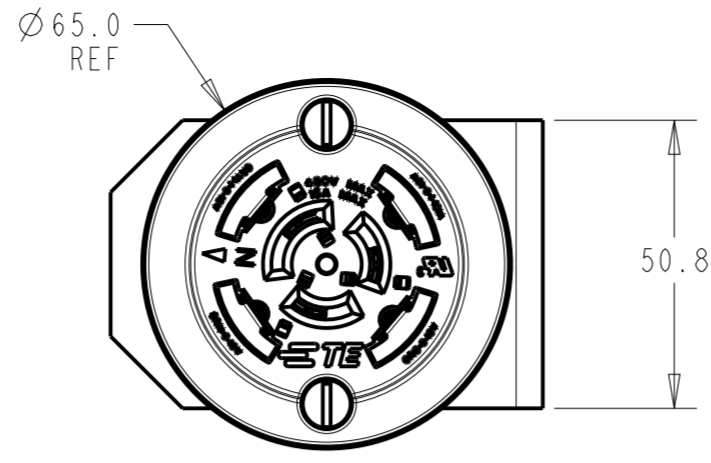


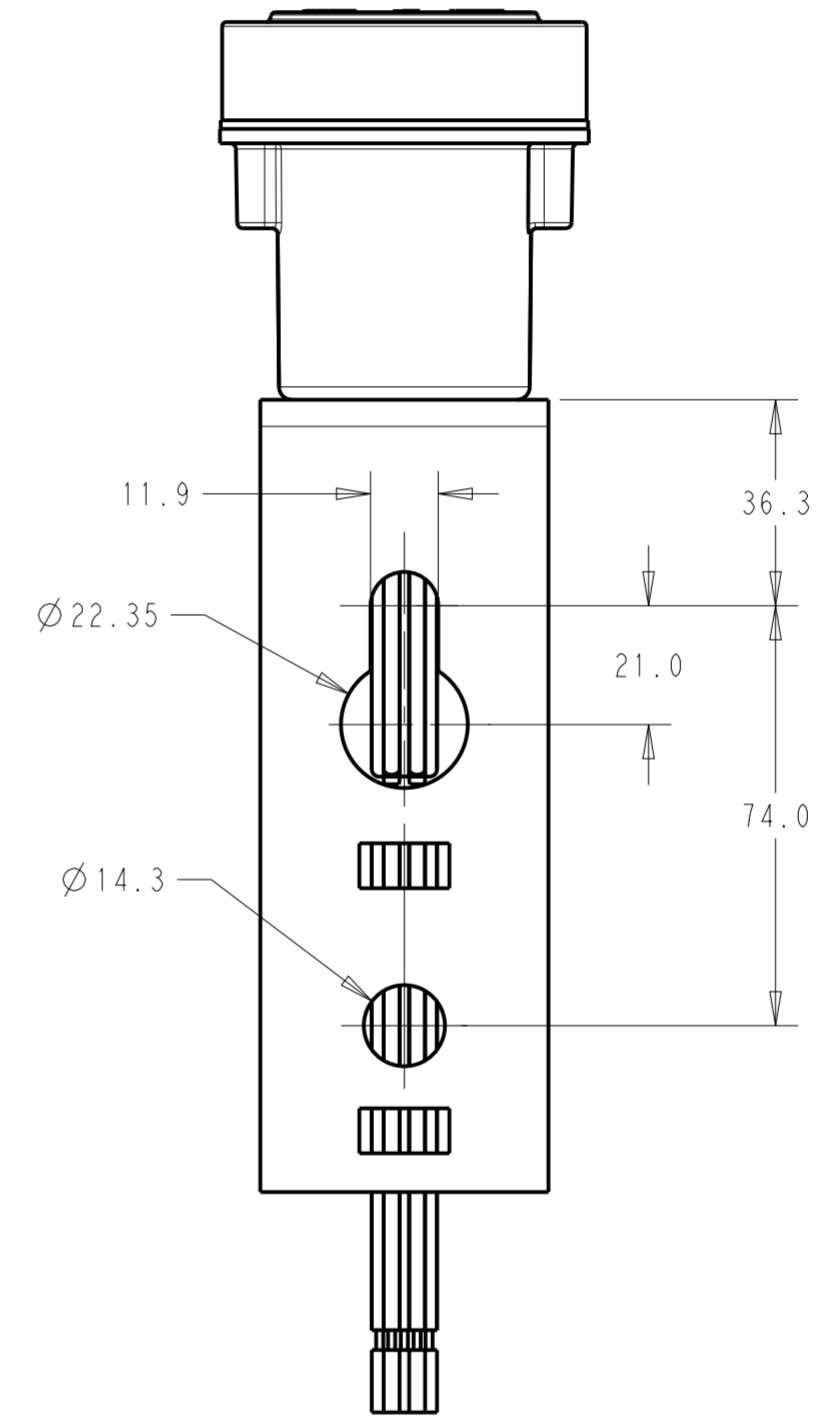
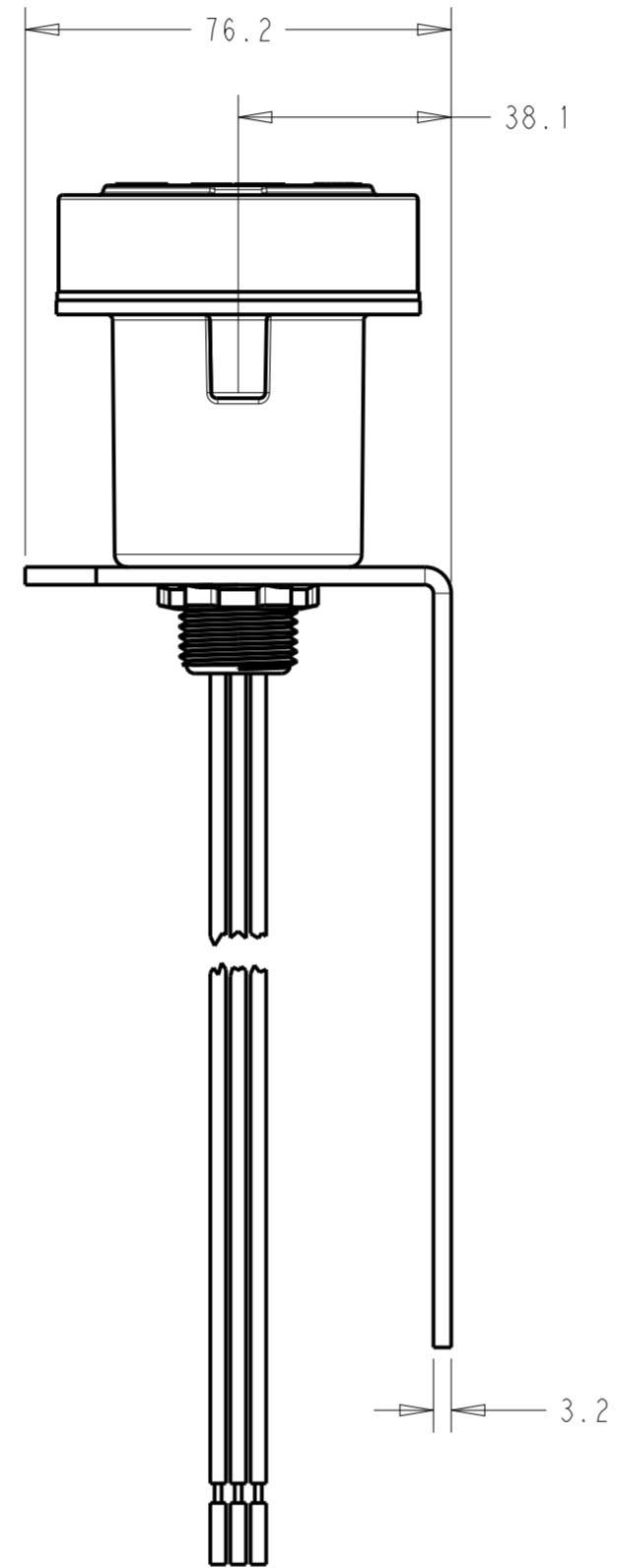
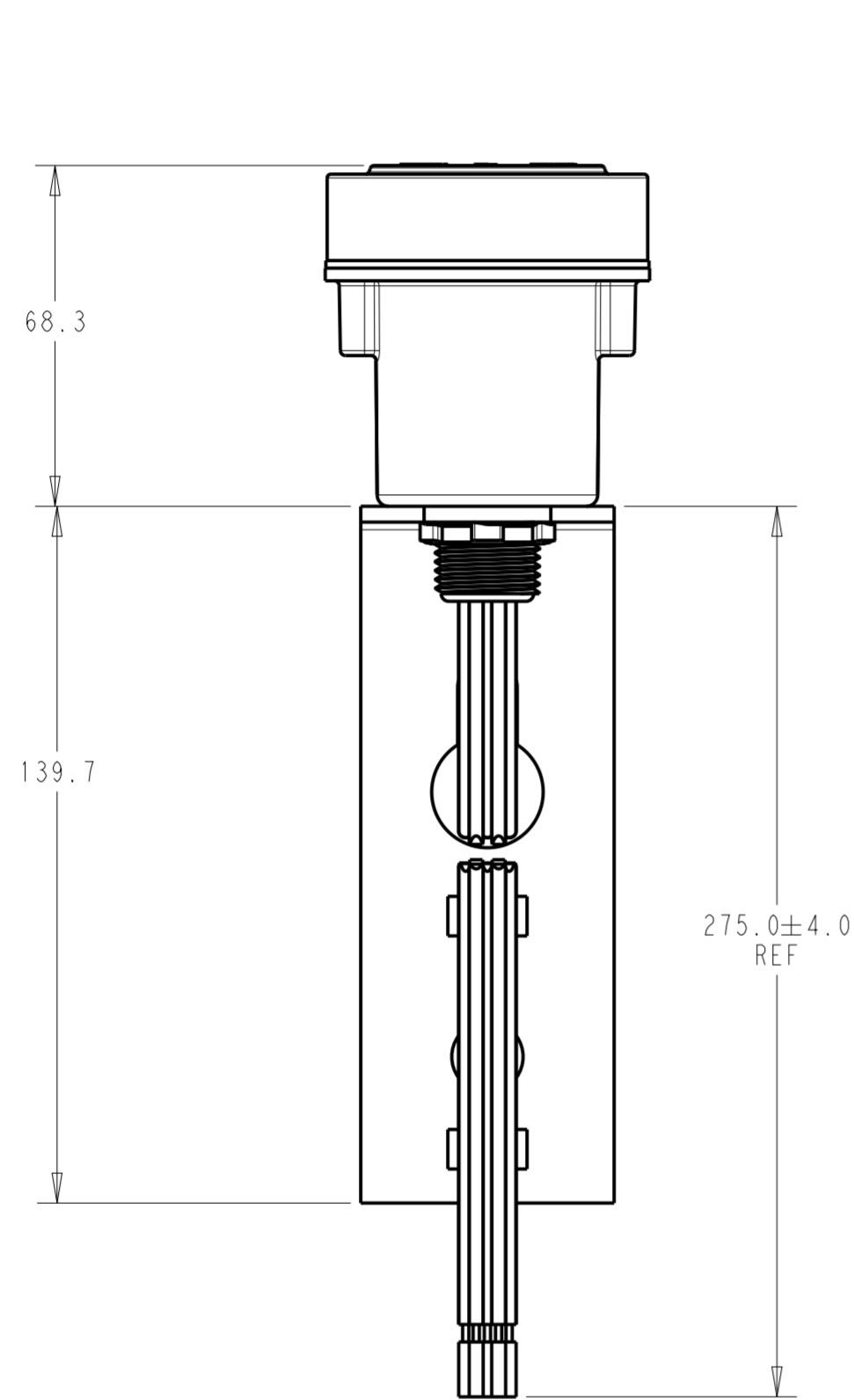
P	LTR	DESCRIPTION	DATE	DWN	APVD
A		ECR-21-104569	08JUN2021	CD	CD



2363929-3 SHOWN

- 1 MATERIALS AND FINISH:  
 -DIMMING RECEPTACLE: SEE TE P/N  
 -GASKET: RUBBER  
 -BRACKET: ALUMINUM  
 -HOUSING: ALUMINUM  
 -LOCKNUT: ZINC ALLOY

2. MUST COMPLY WITH DIRECTIVE 2002/95/EC (ROHS)



1-2213627-8	ROTATABLE DIMMING RECEPTACLE, 7 POSITION	1-2363929-3
1-2213627-7	ROTATABLE DIMMING RECEPTACLE, 5 POSITION	1-2363929-2
1-2213627-9	ROTATABLE DIMMING RECEPTACLE, 3 POSITION	1-2363929-1
2213362-4	DIMMING RECEPTACLE, 7 POSITION	2363929-3
2213362-3	DIMMING RECEPTACLE, 5 POSITION	2363929-2
6-2213362-1	DIMMING RECEPTACLE, 3 POSITION	2363929-1
REFERENCE RECEPTACLE P/N	DESCRIPTION	PART NO.

THIS DRAWING IS A CONTROLLED DOCUMENT.		DWN C. DAILY 11OCT2019	<b>STE</b> TE Connectivity	
		CHK M. STOLLER 11OCT2019		
DIMENSIONS: mm		APVD -		NAME BRACKETED ASSEMBLY, ENDURANCE N RECEPTACLE
TOLERANCES UNLESS OTHERWISE SPECIFIED: 0 PLC ± 1 PLC ±0.2 2 PLC ±0.13 3 PLC ± 4 PLC ± ANGLES ±1° FINISH -		PRODUCT SPEC 108-32059		
MATERIAL		APPLICATION SPEC 114-32115		SIZE A2
1		WEIGHT -		CAGE CODE 00779
		CUSTOMER DRAWING		DRAWING NO C-2363929
		SCALE 3:4		RESTRICTED TO -
		SHEET 1 OF 1		REV A

## X-ON Electronics

Largest Supplier of Electrical and Electronic Components

*Click to view similar products for [Lighting Cables](#) category:*

*Click to view products by [TE Connectivity](#) manufacturer:*

Other Similar products are found below :

[96CB-E0605HAA1](#) [ZWF-915-J](#) [96CB-E1005PCB3](#) [68801-4124](#) [68801-4752](#) [68801-4850](#) [96CB-E0505PACA](#) [ZFS-CH144-12I](#) [96CB-E0405PCA3](#) [96CB-E0405PIC3](#) [96CB-E0605HAB1](#) [960041](#) [CNXBE4218](#) [1-2058943-7](#) [1-2058943-8](#) [1-2083075-2](#) [68801-4648](#)  
[CNXBE4112](#) [CNX310-120-X4124](#) [CNX\\_C\\_E\\_4\\_2\\_08](#) [CNXBE4118](#) [CNXBE4104](#) [CNX310220](#) [CNX\\_310\\_012\\_E\\_4\\_1\\_12](#) [2-2083073-3](#) [2-2083075-3](#) [SSP-CA12](#) [2-2083030-6](#) [2702306](#) [2702307](#) [2-2083032-2](#) [1-2083076-3](#) [SSL11-J6LJ0-022A04](#) [9-2834003-1](#) [1-2083029-2](#) [SSL11-P4LP0-B22A04](#) [2-2083077-2](#) [180888-0405](#) [SSL11-J6LJ0-B22A04](#) [180887-0405](#) [SSL12-J4LJ0-020A04](#) [SSL12-J2LJ0-020F01](#) [1-2083029-8](#)  
[180778-0430](#) [SSL12-P2LP0-M20F01](#) [CNXBE4108](#) [4804](#) [CNX310000](#) [68801-2380](#) [68801-4037](#)