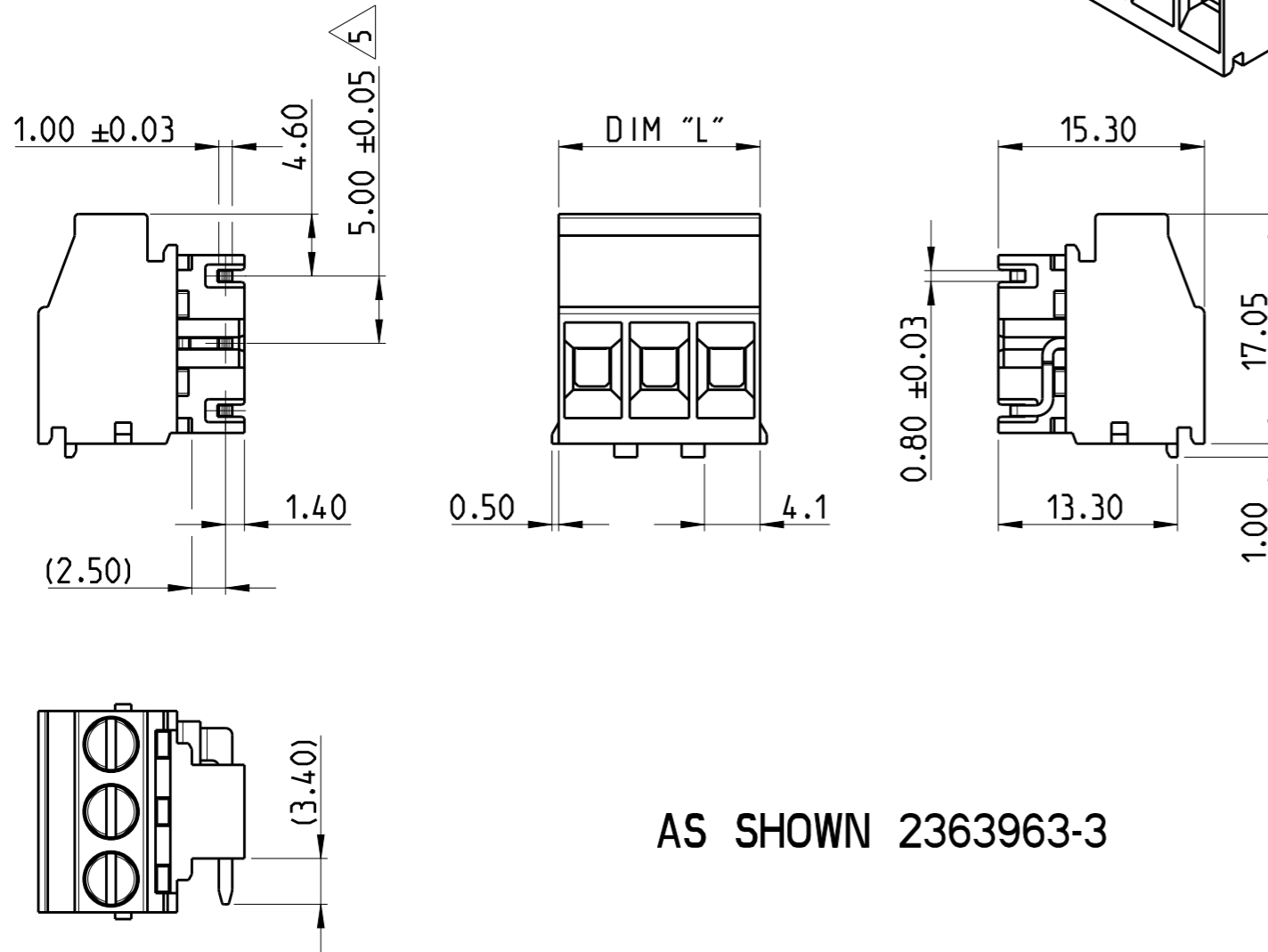
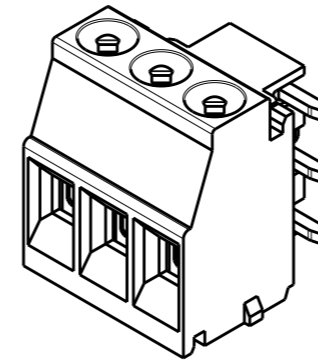


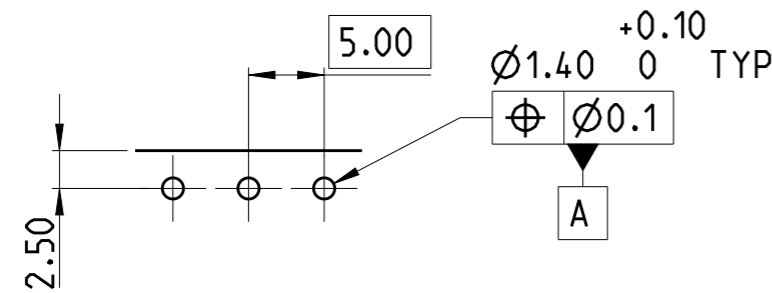
P	LTR	DESCRIPTION	DATE	DWN	APVD
	A	PRODUCTION RELEASE	16JUN2020	SS	PS



AS SHOWN 2363963-3

- MATERIALS & FINISH**
 HOUSING : HIGH TEMPERATURE PA, UL94 V0, COLOR -BLACK
 SCREW M3 : COPPER ALLOY, NICKEL PLATED
 CLAMP : COPPER ALLOY, NICKEL PLATED
 CONTACT : COPPER ALLOY, TIN PLATED
- MECHANICAL**
 WIRE STRIPPING LENGTH : 5.5-6.5 mm
 MIN. PC BOARD HOLES DIAMETER : 1.4 mm
 MAX. PC BOARD THICKNESS : 2.4 mm
 RECOMMENDED TIGHTENING TORQUE FOR SCREW: 0.5 Nm.
- ELECTRICAL**
 WIRE RANGE : 12 - 30 AWG
 MAX. VOLTAGE : 300 V
 MAX CURRENT : 17.5 A
 CONTACT RESISTANCE : <15 m Ohm
 INSULATION RESISTANCE : >1000 M Ohm (500V DC)
- OPERATING TEMPERATURE RANGE: -40°C TO +105°C**
 △ TOLERANCE NOT CUMULATIVE.

14.95	3	2363963-3
9.95	2	2363963-2
DIM "L"	POSITION	PART NUMBER



RECOMMENDED PC BOARD LAYOUT

THIS DRAWING IS A CONTROLLED DOCUMENT.		DWN 11OCT2019 RAGHAVENDRA.K		
DIMENSIONS: mm		CHK 14OCT2019 PRASHANTH.S		
TOLERANCES UNLESS OTHERWISE SPECIFIED:		APVD 14OCT2019 PRASHANTH.S	NAME NORMO-ORTHOGONAL RIGHT TERMINAL BLOCK PITCH 5.00mm	
0 PLC ±0.3		PRODUCT SPEC		
1 PLC ±0.25		APPLICATION SPEC		
2 PLC ±0.25		WEIGHT		
3 PLC ±0.25		SIZE CAGE CODE DRAWING NO RESTRICTED TO		
4 PLC ±0.25		A3 00779 C-2363963		
ANGLES ±		CUSTOMER DRAWING SCALE 2:1 SHEET 1 OF 1 REV A		
FINISH SEE NOTES				

X-ON Electronics

Largest Supplier of Electrical and Electronic Components

Click to view similar products for [Pluggable Terminal Blocks](#) category:

Click to view products by [TE Connectivity](#) manufacturer:

Other Similar products are found below :

[57.510.0053](#) [MC 1.5/ 6-ST-3.5 GY AU](#) [734-104](#) [734-302](#) [8-141-P](#) [8426620000](#) [860505](#) [860516](#) [860810](#) [GBPACX-12](#) [93.731.4953.0](#) [PV05-5,08-K](#) [PVP02-5,00](#) [PVP03-3,50](#) [PVP04-3,50](#) [PVS02-5,00](#) [1-1986160-3](#) [1377680000](#) [1531000000](#) [1546228-5](#) [ELFH16150](#) [ELFP03110](#) [ELFP10210](#) [ELFT06250](#) [ELVP03100](#) [1700101](#) [1700410](#) [1700425](#) [1702246](#) [1705229](#) [1710175](#) [1714537](#) [1717806](#) [1719600](#) [1728941](#) [1734692](#) [1734795](#) [1736036](#) [1740194](#) [1740291](#) [1740628](#) [1740990](#) [1746952](#) [1750207](#) [1752441](#) [1752865](#) [1754115](#) [1754144](#) [1756913](#) [1760051](#)