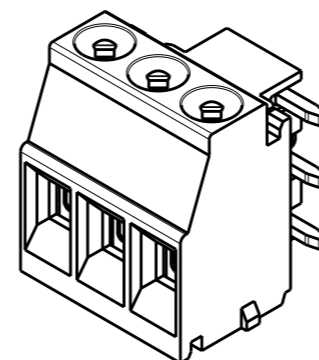


P	LTR	DESCRIPTION	DATE	DWN	APVD
	A	PRODUCTION RELEASE	16JUN2020	SS	PS



1. MATERIALS & FINISH

HOUSING : HIGH TEMPERATURE PA, UL94 V0,
 COLOR -BLACK
 SCREW M3 : COPPER ALLOY, NICKEL PLATED
 CLAMP : COPPER ALLOY, NICKEL PLATED
 CONTACT : COPPER ALLOY, TIN PLATED

2. MECHANICAL

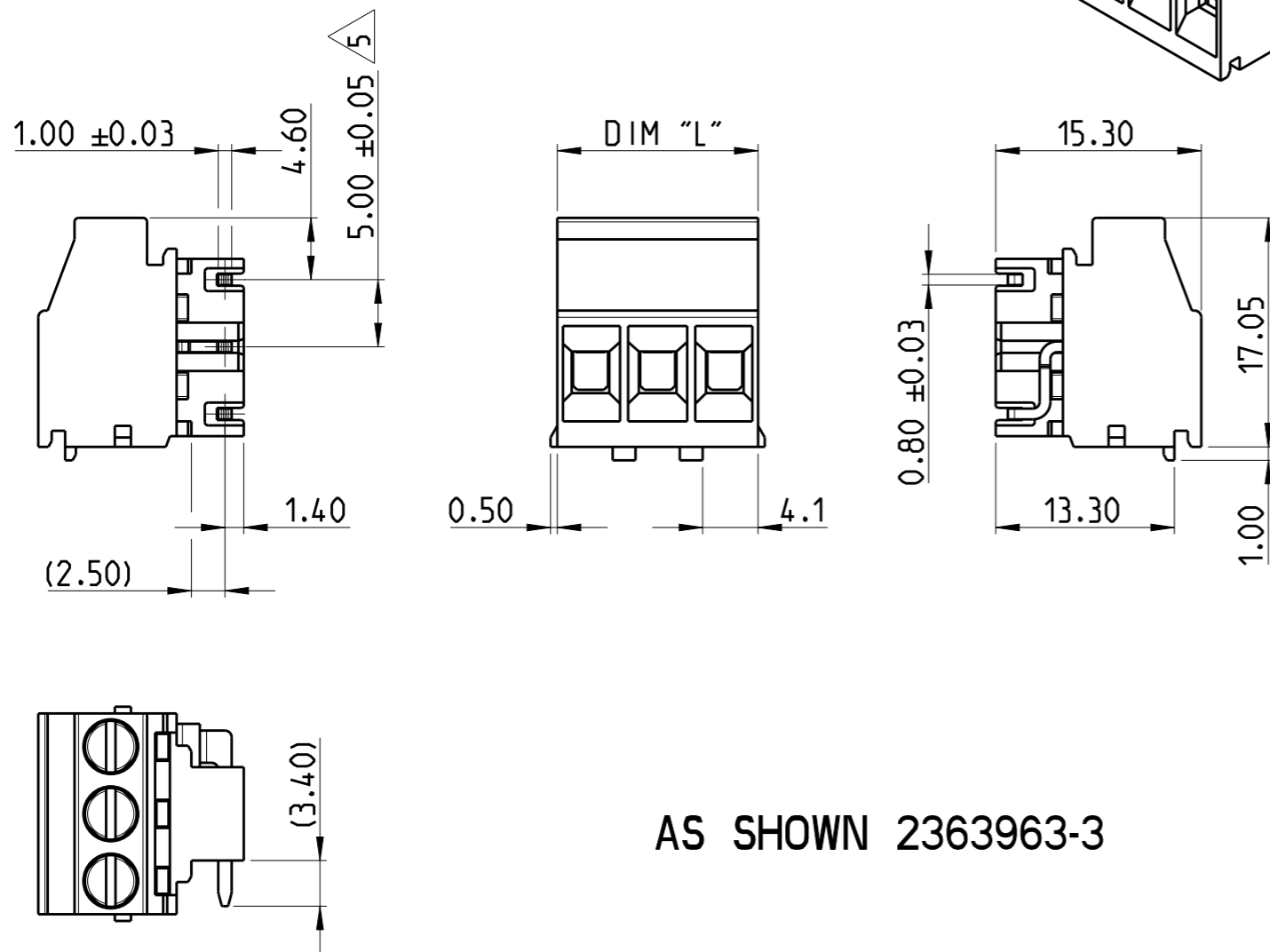
WIRE STRIPPING LENGTH : 5.5-6.5 mm
 MIN. PC BOARD HOLES DIAMETER : 1.4 mm
 MAX. PC BOARD THICKNESS : 2.4 mm
 RECOMMENDED TIGHTENING TORQUE FOR SCREW: 0.5 Nm.

3. ELECTRICAL

WIRE RANGE : 12 - 30 AWG
 MAX. VOLTAGE : 300 V
 MAX CURRENT : 17.5 A
 CONTACT RESISTANCE : <15 m Ohm
 INSULATION RESISTANCE : >1000 M Ohm (500V DC)

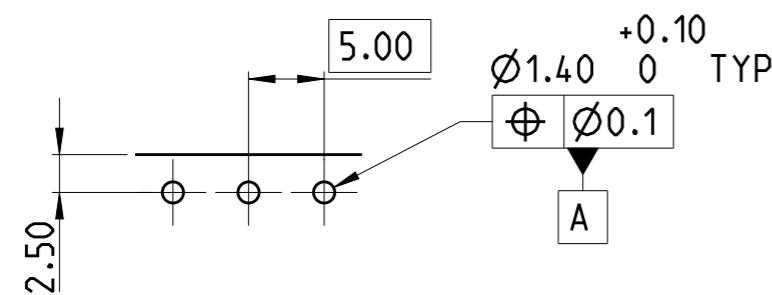
4. OPERATING TEMPERATURE RANGE: -40°C TO +105°C

△ TOLERANCE NOT CUMULATIVE.



AS SHOWN 2363963-3

14.95	3	2363963-3
9.95	2	2363963-2
DIM "L"	POSITION	PART NUMBER



RECOMMENDED PC BOARD LAYOUT

THIS DRAWING IS A CONTROLLED DOCUMENT.

DIMENSIONS:	TOLERANCES UNLESS OTHERWISE SPECIFIED:
mm	
0 PLC	±0.3
1 PLC	±0.25
2 PLC	±0.25
3 PLC	±0.25
4 PLC	±0.25
ANGLES	±
MATERIAL	FINISH
SEE NOTES	SEE NOTES

DWN	11OCT2019
RAGHAVENDRA.K	
CHK	14OCT2019
PRASHANTH.S	
APVD	14OCT2019
PRASHANTH.S	
PRODUCT SPEC	
APPLICATION SPEC	
WEIGHT	-

TE TE Connectivity			
NAME NORMO-ORTHOGONAL RIGHT TERMINAL BLOCK PITCH 5.00mm			
SIZE	CAGE CODE	DRAWING NO	RESTRICTED TO
A3	00779	C-2363963	-
CUSTOMER DRAWING		SCALE	SHEET
		2:1	1 OF 1
			REV A

X-ON Electronics

Largest Supplier of Electrical and Electronic Components

Click to view similar products for [Pluggable Terminal Blocks](#) category:

Click to view products by [TE Connectivity](#) manufacturer:

Other Similar products are found below :

[57.510.0053](#) [MC 1.5/ 6-ST-3.5 GY AU](#) [734-104](#) [734-302](#) [8-141-P](#) [8426620000](#) [860505](#) [860516](#) [860810](#) [GBPACX-12](#) [93.731.4953.0](#) [PV05-5,08-K](#) [PVP02-5,00](#) [PVP03-3,50](#) [PVP04-3,50](#) [PVS02-5,00](#) [1-1986160-3](#) [1377680000](#) [1531000000](#) [1546228-5](#) [ELFH16150](#) [ELFP03110](#) [ELFP10210](#) [ELFT06250](#) [ELVP03100](#) [1700101](#) [1700410](#) [1700425](#) [1702246](#) [1705229](#) [1710175](#) [1714537](#) [1717806](#) [1719600](#) [1728941](#) [1734692](#) [1734795](#) [1736036](#) [1740194](#) [1740291](#) [1740628](#) [1740990](#) [1746952](#) [1750207](#) [1752441](#) [1752865](#) [1754115](#) [1754144](#) [1756913](#) [1760051](#)