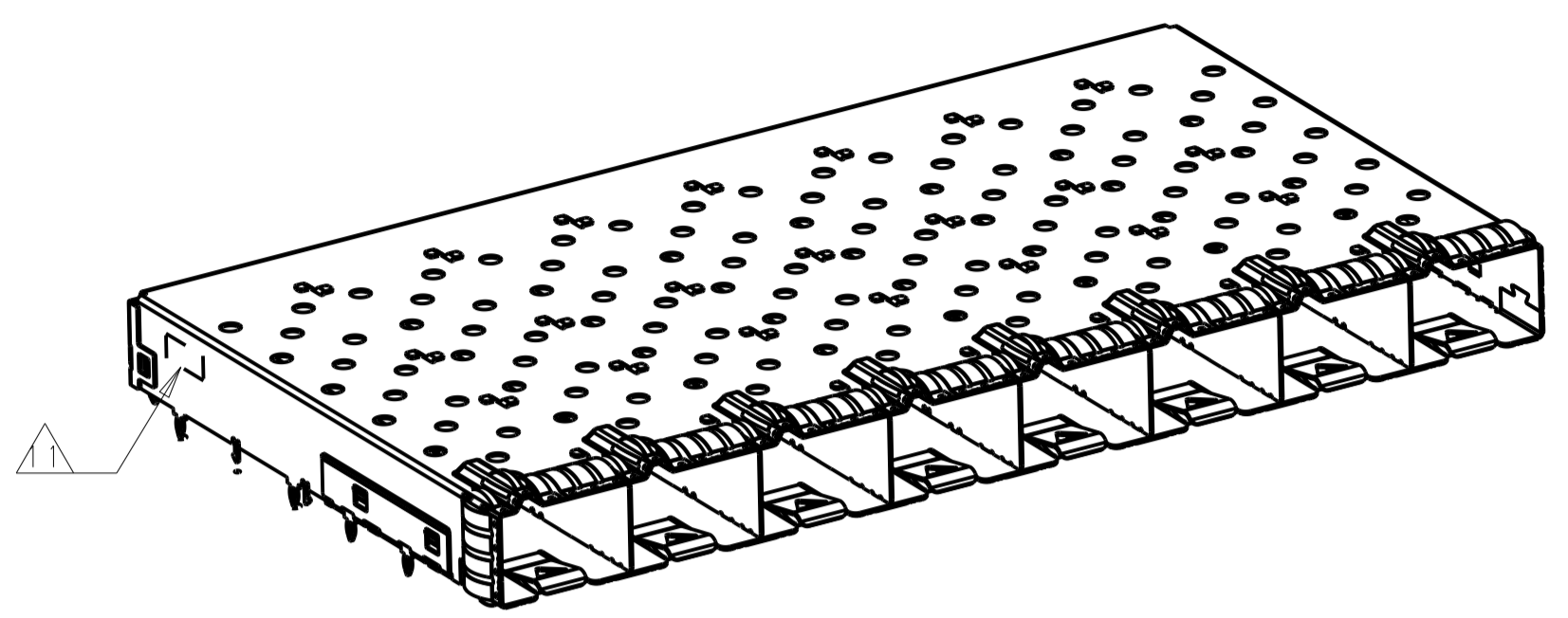
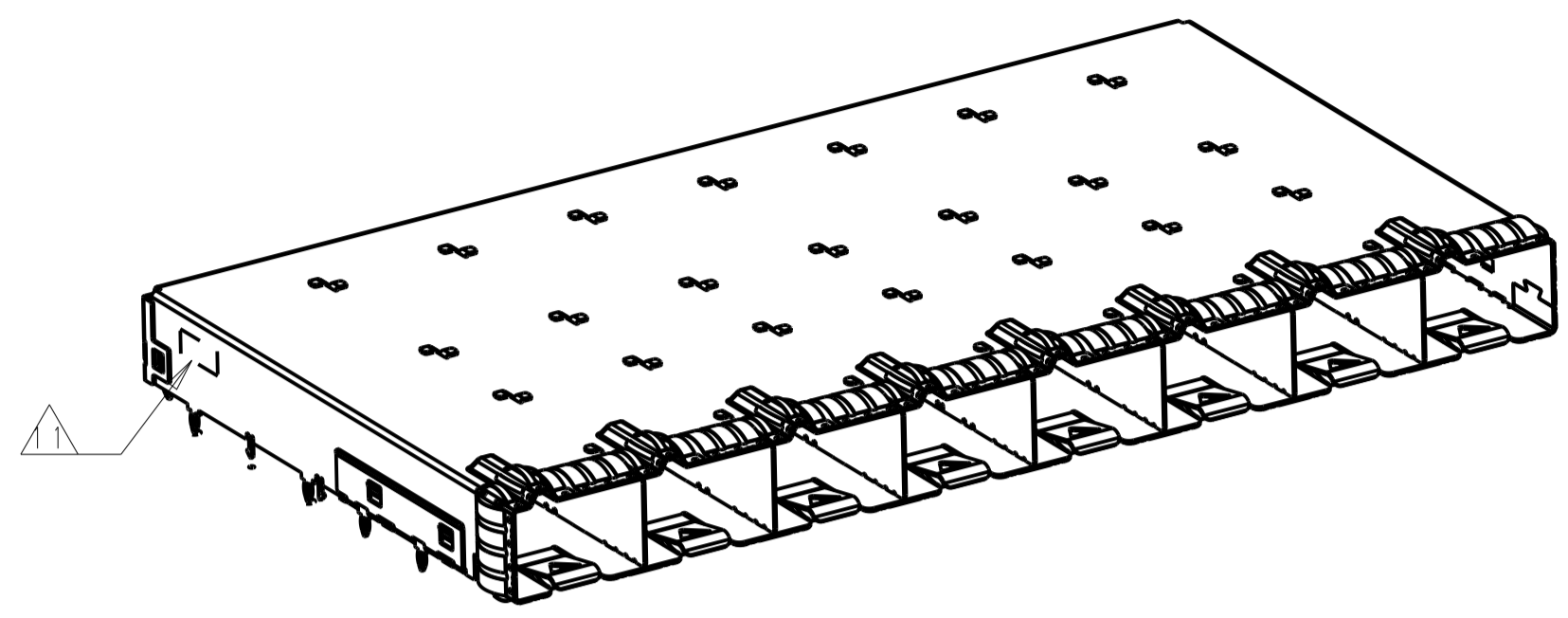


LOC	DIST	REVISIONS			
GP	00	REV	DATE	BY	APPV
		A	05FEB2021	AJ	SZ
		A1	20MAR2021	AJ	SZ

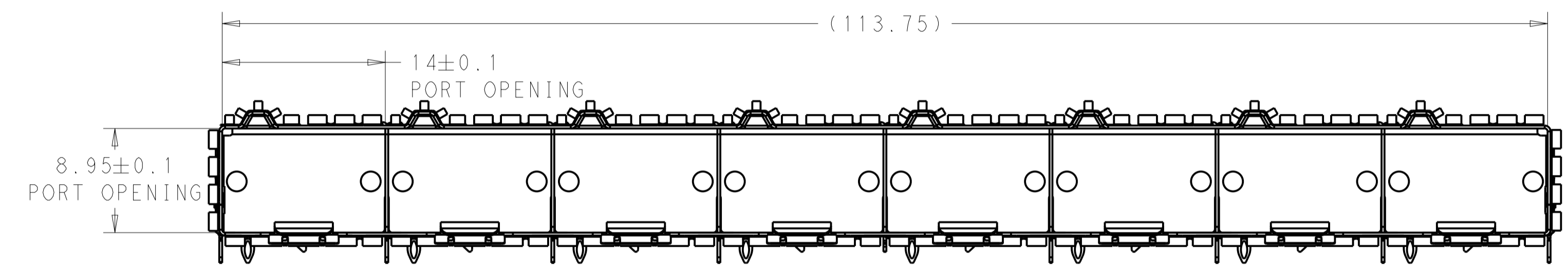
- CAGE: 0.25mm THICK STAINLESS STEEL  
EMI SPRINGS: COPPER ALLOY
  - FINISH:  
SPRINGS: 0.8um NICKEL. NON-PLATED EDGES PERMISSIBLE.
  - MATES WITH SFP-DD MSA COMPLIANT TRANSCEIVERS.
  - INTERPRETATION OF DATUM REFERENCE FRAME IN ACCORDANCE WITH SECT 4.4.1.1 OF ASME Y14.5M-1994.
  - MINIMUM PC BOARD THICKNESS:  
SINGLE SIDED = 1.57mm  
DOUBLE SIDED = 2.20mm
- △6 DATUM AND BASIC DIMENSION ESTABLISHED BY CUSTOMER.
- △7 REFERENCE APPLICATION SPEC. 114-60027, HOLE A, FOR RECOMMENDED DRILL HOLE DIAMETER AND PLATING THICKNESS.
- △8 REFERENCE APPLICATION SPEC. 114-60027, HOLE B, FOR RECOMMENDED DRILL HOLE DIAMETER AND PLATING THICKNESS.
- △9 HOLE PATTERN REPEATS FOR EACH PORT. SPACING BETWEEN PORTS IS 14.25mm.
10. DATUM -A- IS TOP SURFACE OF THE HOST BOARD.
- △11 PART NUMBER AND DATE CODE APPROXIMATELY MARKED IN THIS AREA.



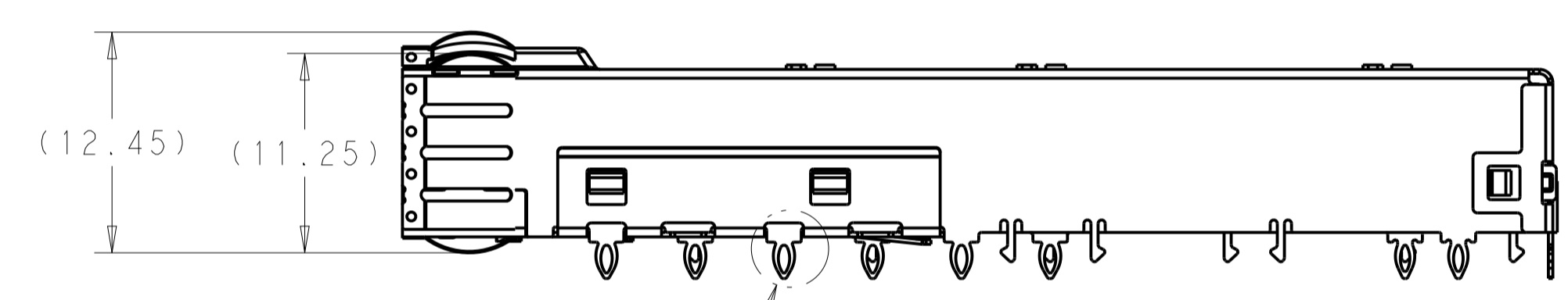
2364488-3  
SCALE 3:2



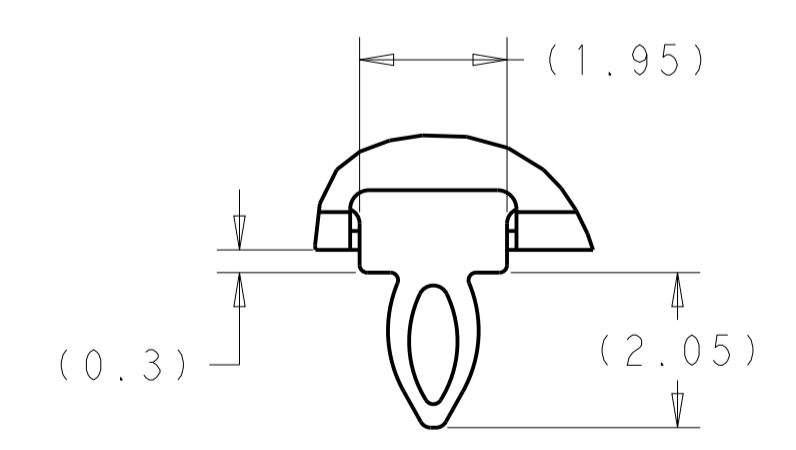
2364488-4  
SCALE 3:2



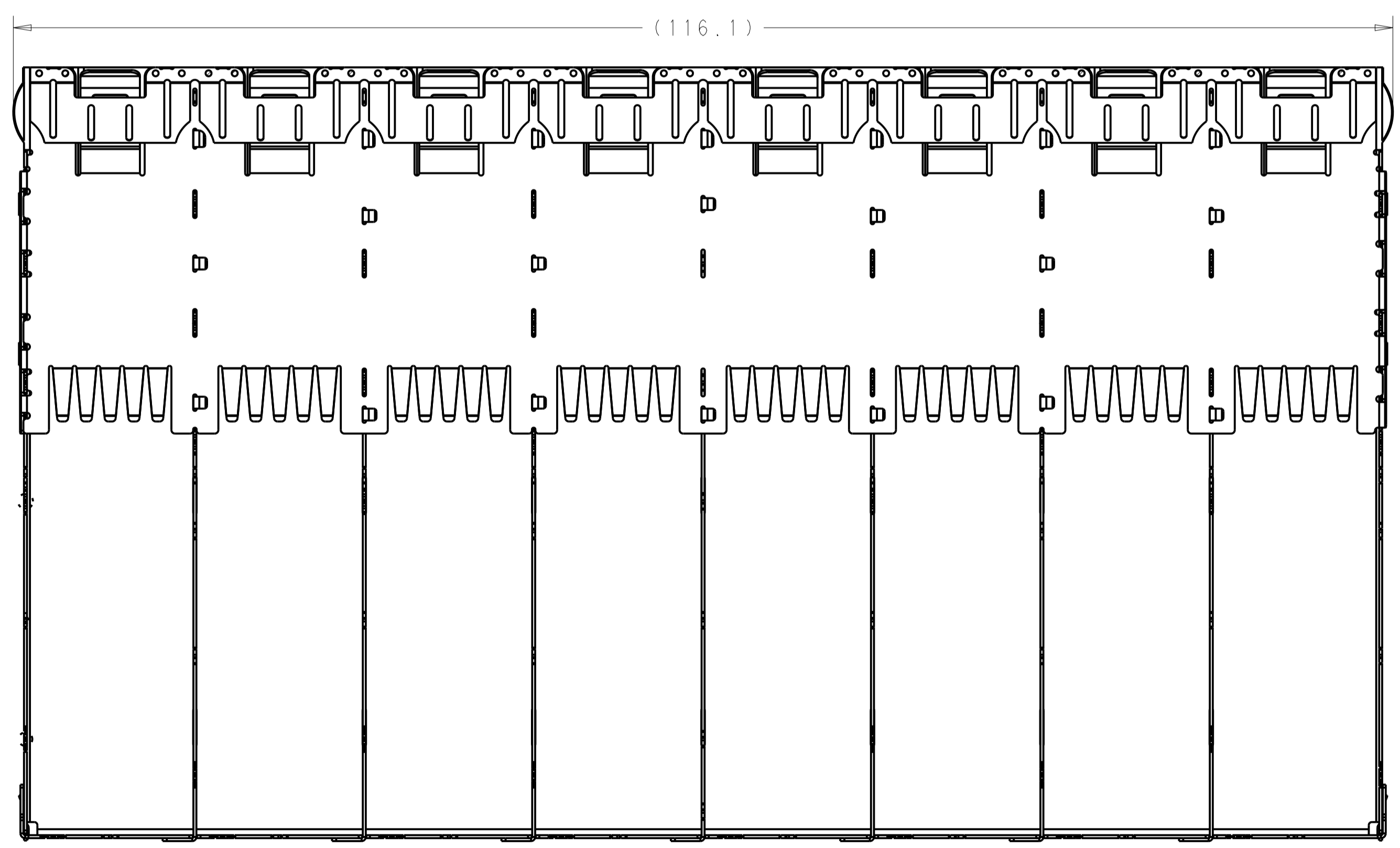
SCALE 3:1



SEE DETAIL A



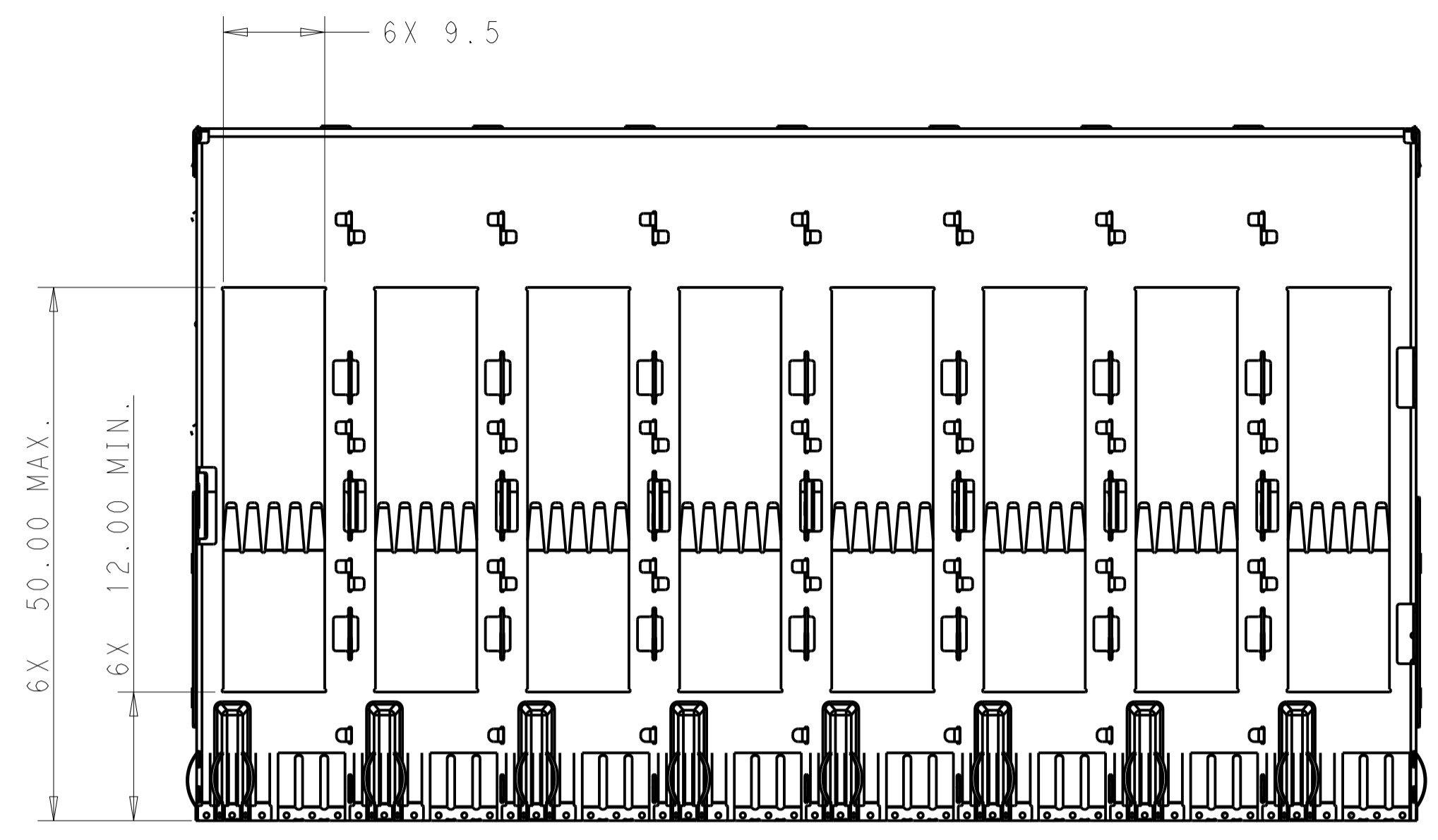
DETAIL A  
SCALE 10:1



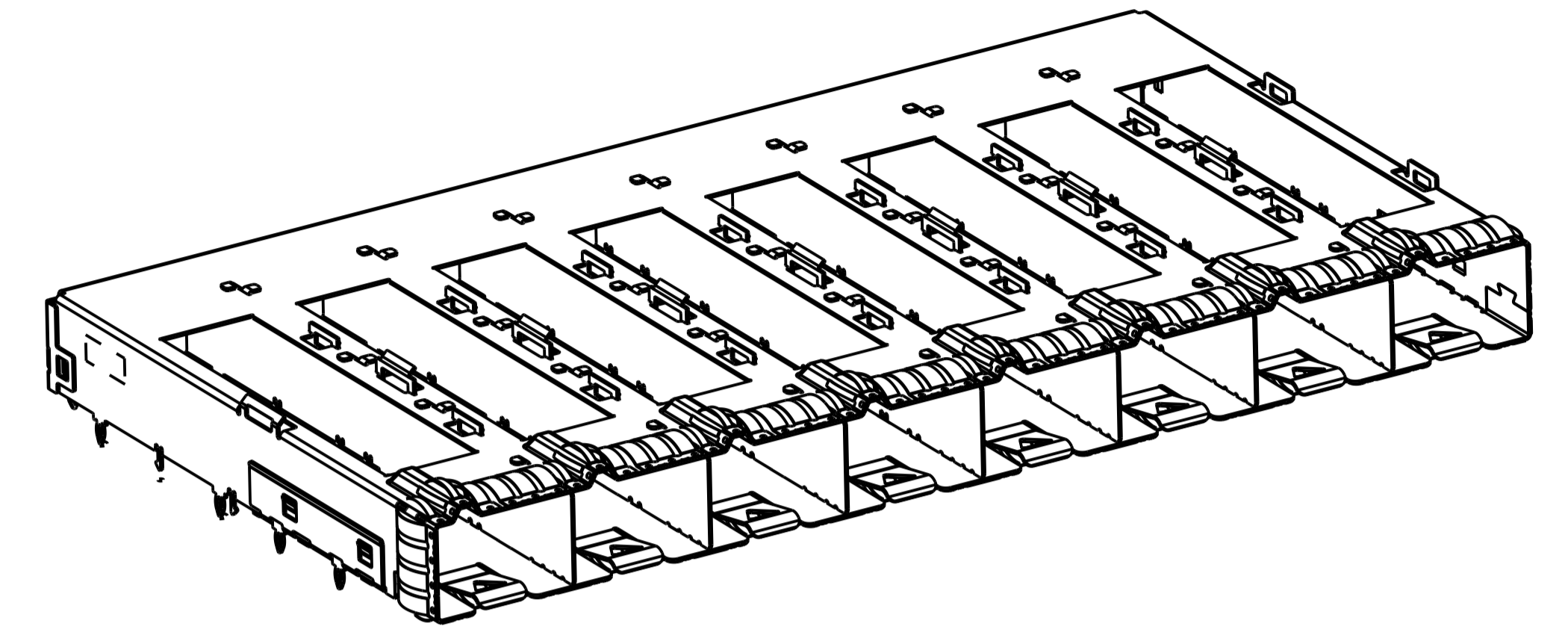
W/ CLOSED TOP, W/O VENT HOLES	2364488-4
W/ CLOSED TOP, W/ VENT HOLES	2364488-3
W/ OPEN TOP, LP BRACKET	1-2364488-2
W/ OPEN TOP	1-2364488-1
DESCRIPTION	PART NUMBER

THIS DRAWING IS A CONTROLLED DOCUMENT.		DWG: JASON YANG 22OCT2019 CHK: SEAN HAN 22OCT2019		TE Connectivity SFPDD 1X8 CAGE ASSEMBLY PRESS-FIT, EXTERNAL EMI SPRINGS	
DIMENSIONS: mm		TOLERANCES UNLESS OTHERWISE SPECIFIED:			
0 PLC ±0.25 1 PLC ±0.25 2 PLC ±0.20 3 PLC ±0.20 4 PLC ±0.20 ANGLES ±		PRODUCT SPEC: 108-60128 APPLICATION SPEC: 114-60027 WEIGHT: - CUSTOMER DRAWING		SIZE: A1 CAGE CODE: 00779 DRAWING NO: 2364488 RESTRICTED TO: - SCALE: 1:1 SHEET 1 OF 6 REV: A1	

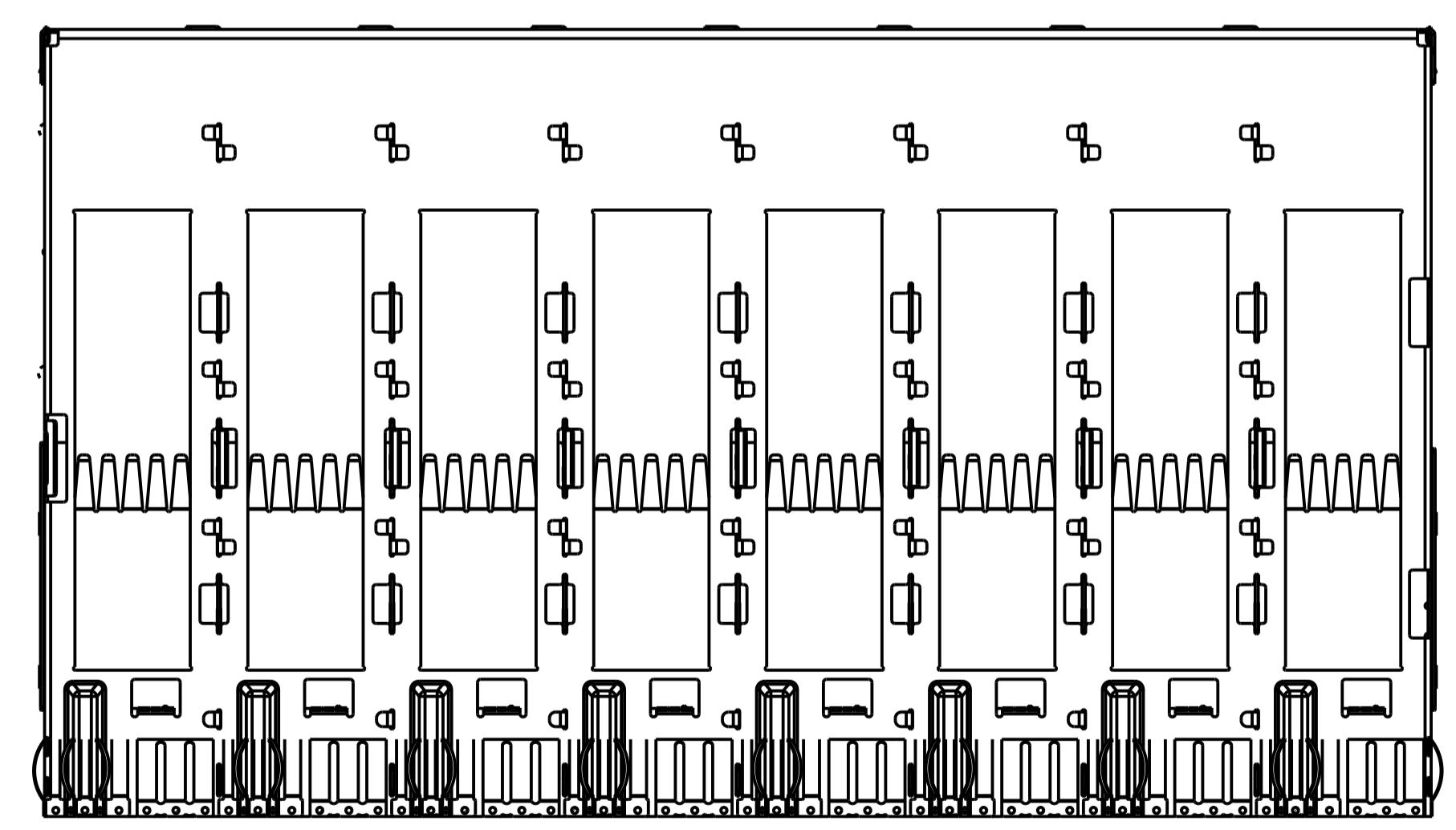
LOC	DIST	REVISIONS			
GP	00	REV	DATE	BY	APPV
		-	SEE SHEET 1	-	-



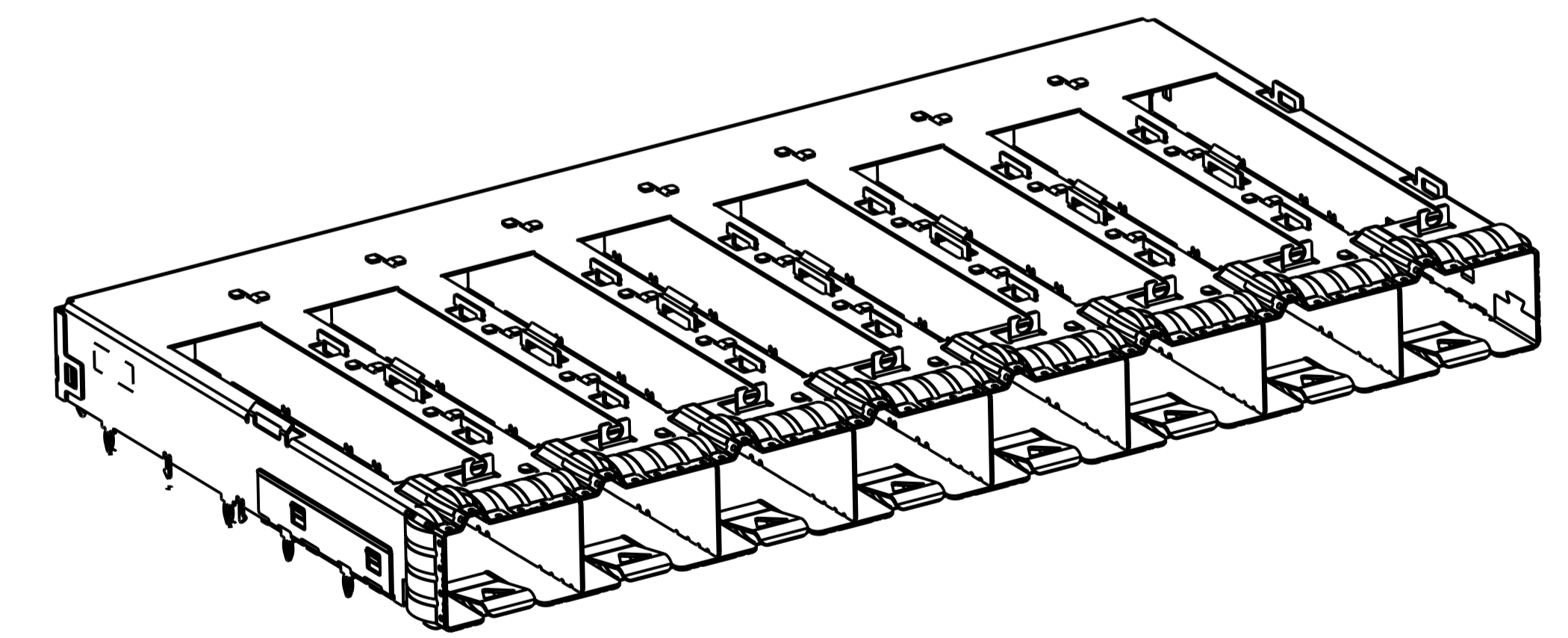
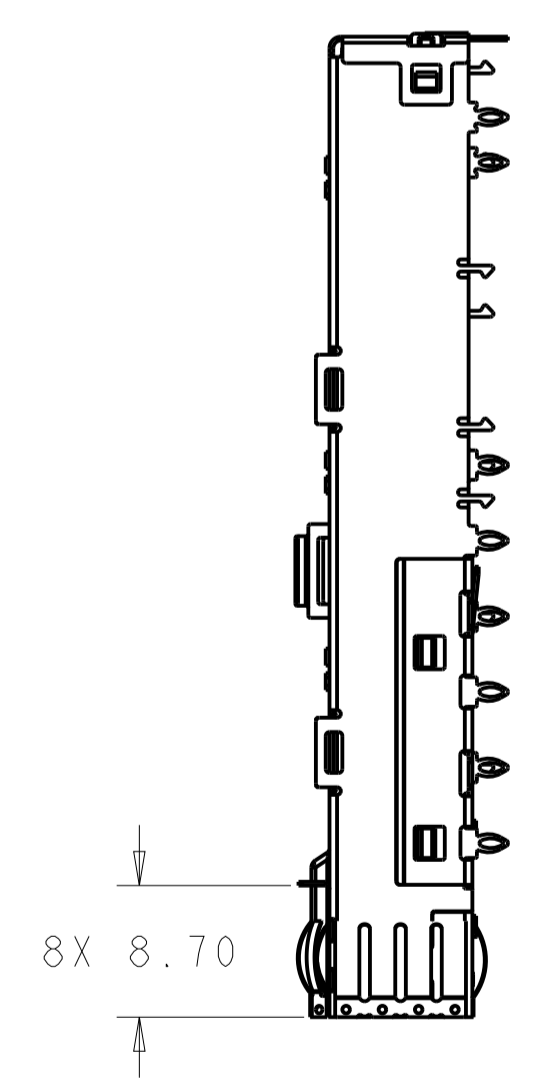
1-2364488-1 AS SHOWN  
 UNSPECIFIED DIMENSIONS SAME AS -3  
 SCALE 2:1



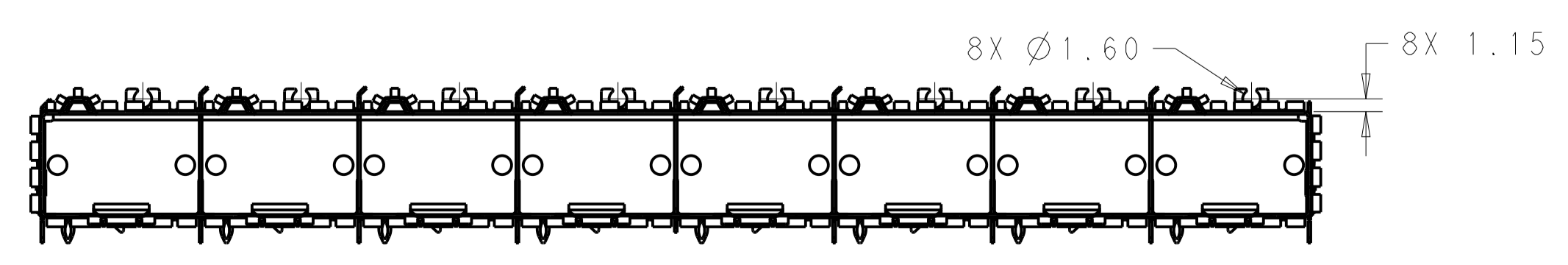
1-2364488-1  
 SCALE 2:1



1-2364488-2 AS SHOWN  
 UNSPECIFIED DIMENSIONS SAME AS 1-1  
 SCALE 2:1

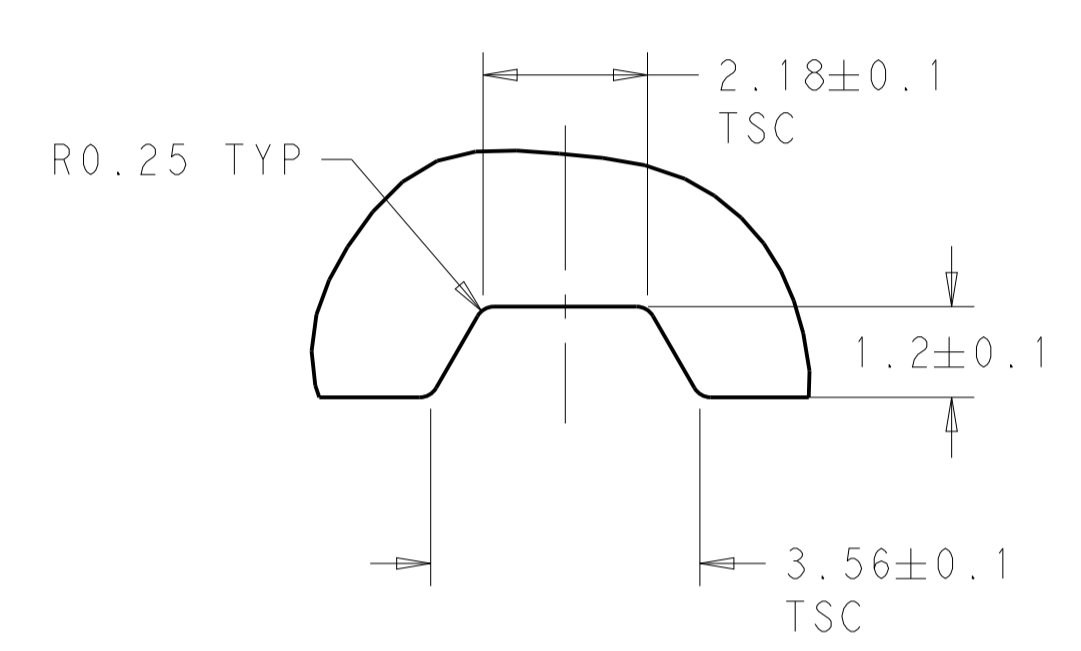
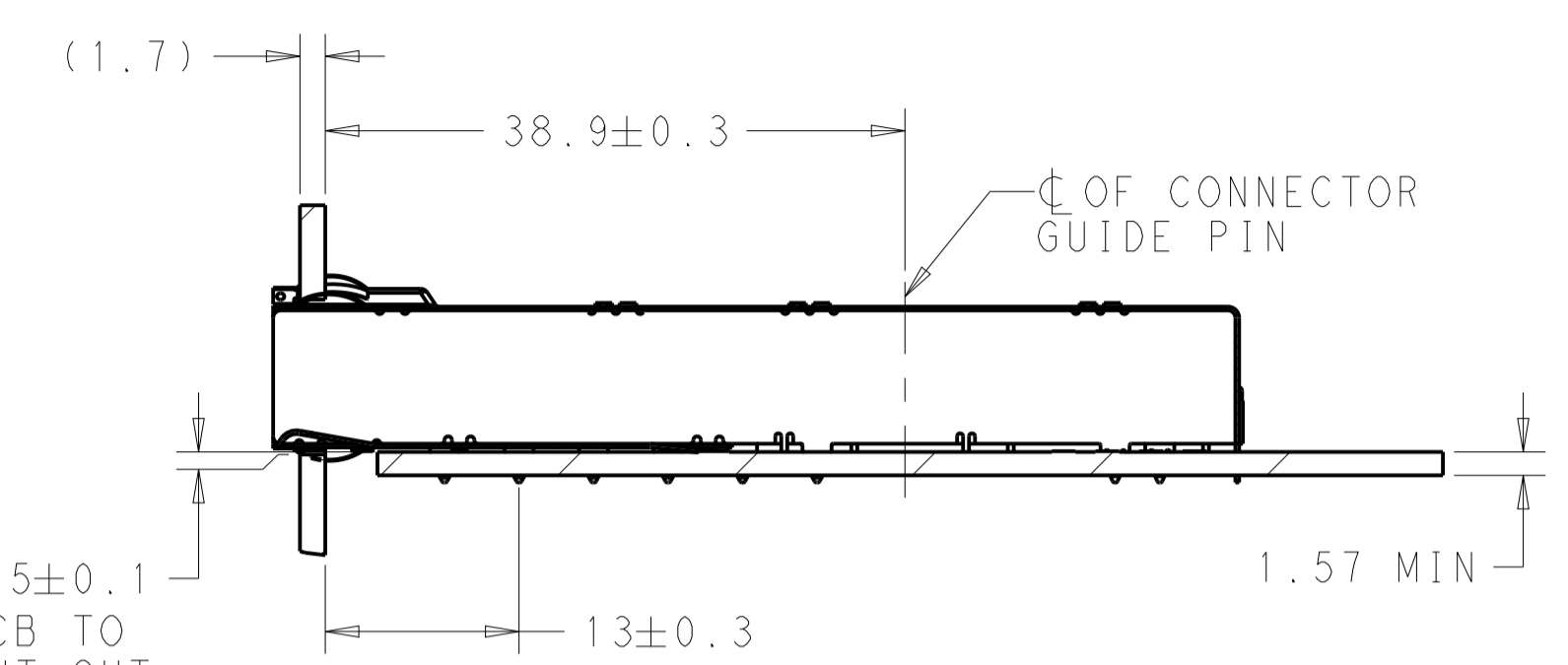
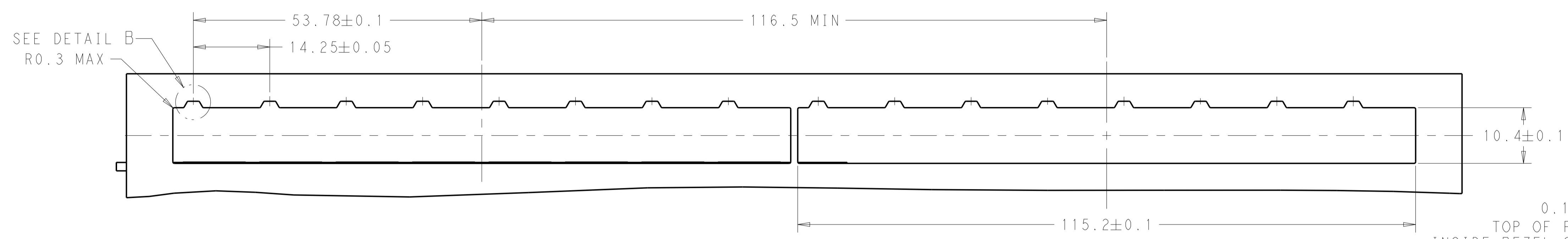


1-2364488-2  
 SCALE 2:1

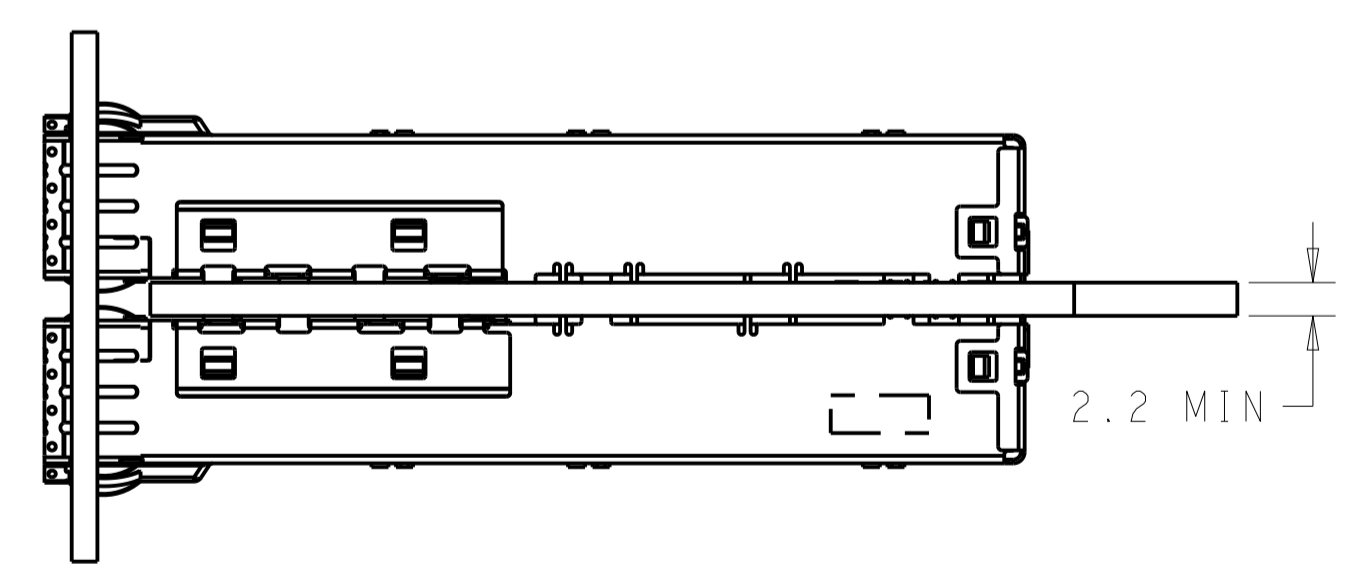
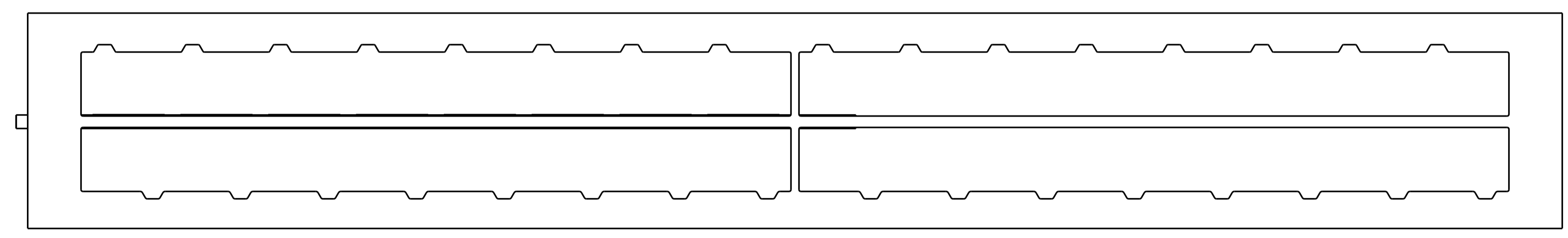


THIS DRAWING IS A CONTROLLED DOCUMENT.		OWN: JASON YANG 22OCT2019	TE Connectivity
DIMENSIONS: mm		CHK: SEAN HAN 22OCT2019	
TOLERANCES UNLESS OTHERWISE SPECIFIED:		APVD:	NAME: SFPDD 1X8 CAGE ASSEMBLY PRESS-FIT, EXTERNAL EMI SPRINGS
0 PLC	±0.25	PRODUCT SPEC	SIZE: CAGE CODE DRAWING NO
1 PLC	±0.25	108-60128	RESTRICTED TO
2 PLC	±0.20	APPLICATION SPEC	A100779C=2364488
3 PLC	±0.20	114-60027	SCALE 1:1 SHEET 2 OF 6 REV A1
4 PLC	±	WEIGHT	
ANGLES	±	CUSTOMER DRAWING	
MATERIAL	FINISH		

LOC	DIST	REVISIONS			
GP	00	REV	DATE	BY	APPD
-	-	SEE SHEET 1	-	-	-

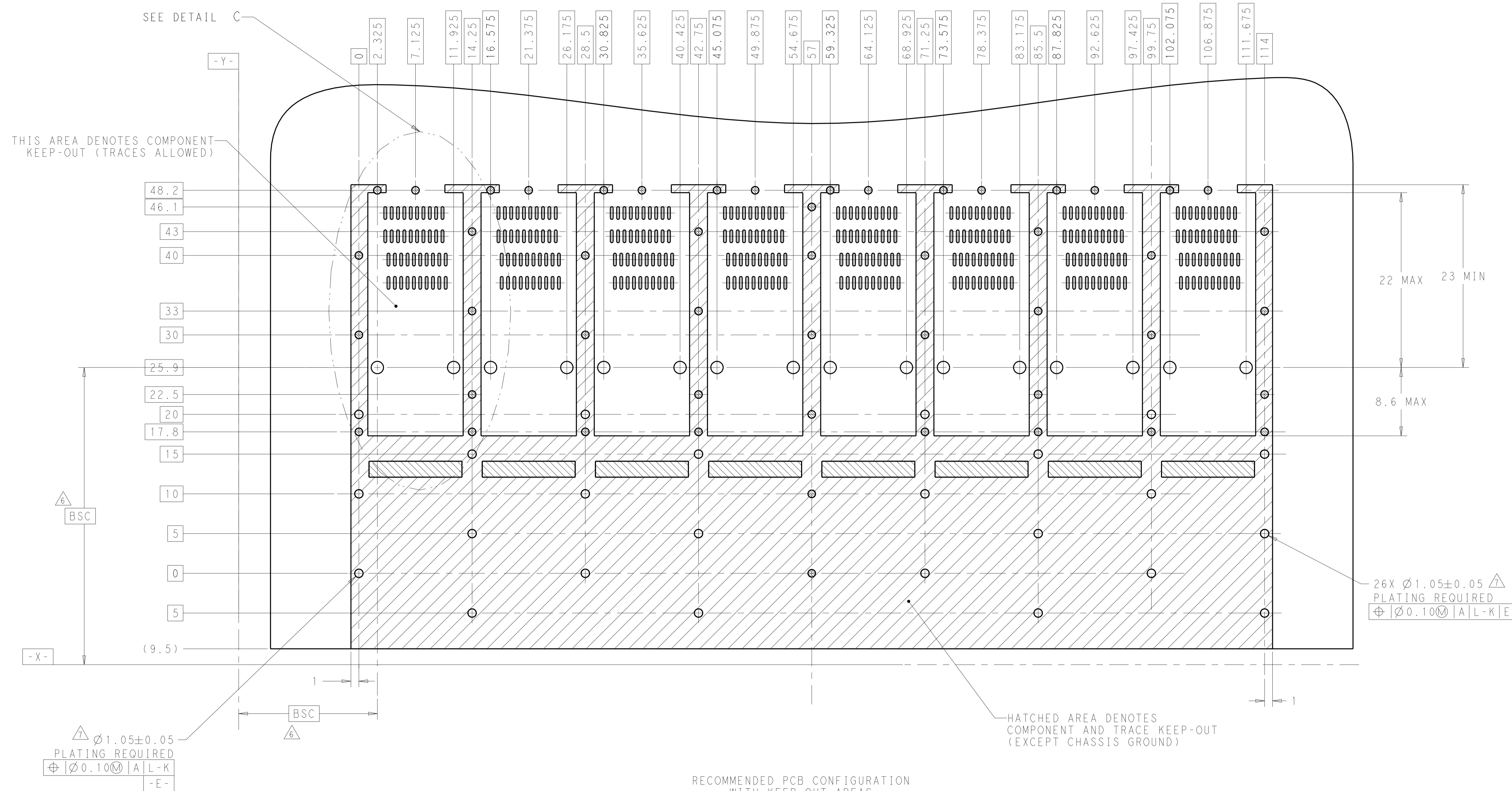


DETAIL B  
SCALE 10:1



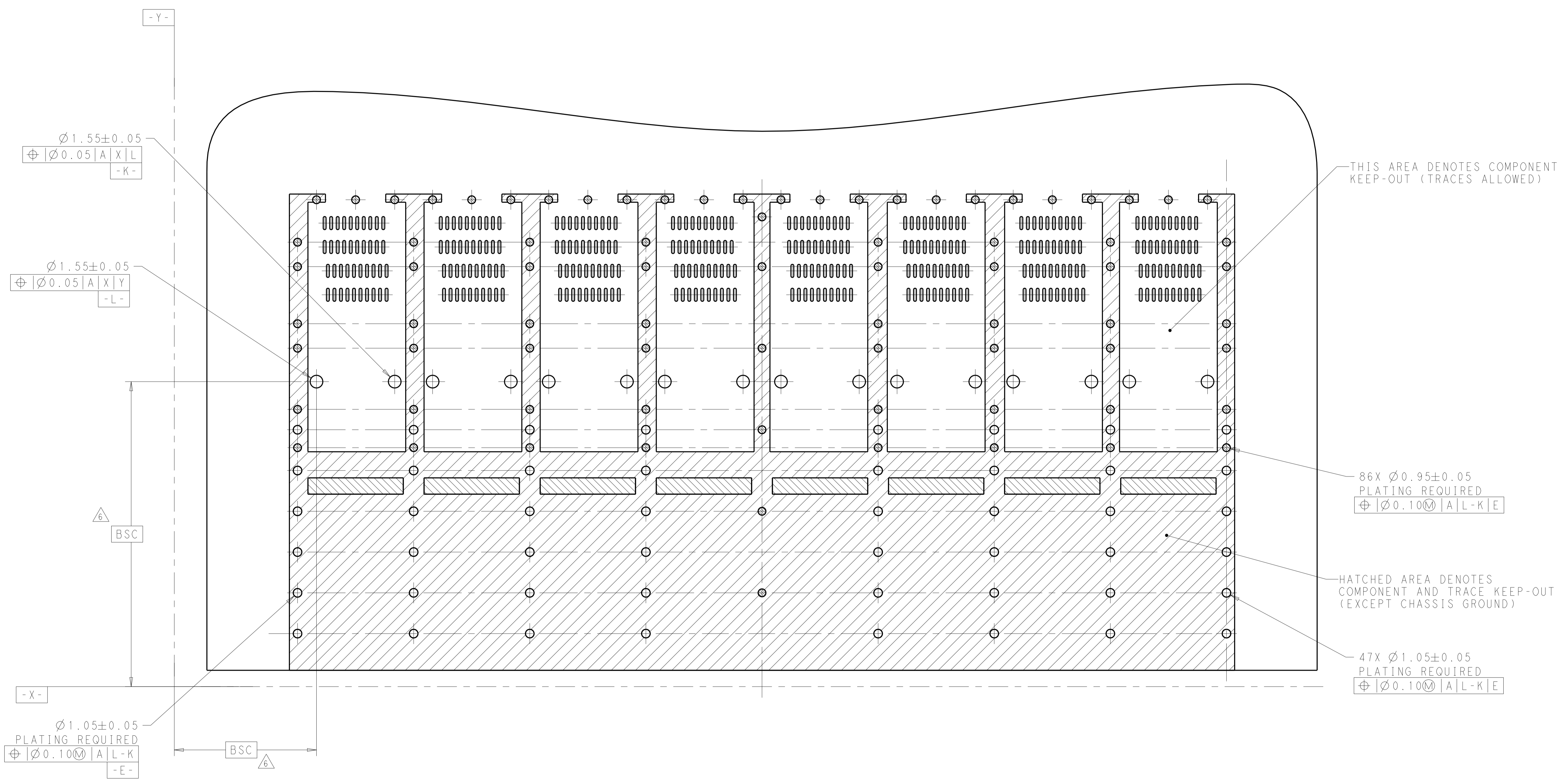
THIS DRAWING IS A CONTROLLED DOCUMENT.		OWN: JASON YANG 22OCT2019	 TE Connectivity
DIMENSIONS: mm		CHK: SEAN HAN 22OCT2019	
TOLERANCES UNLESS OTHERWISE SPECIFIED:		APVD:	NAME: SFPDD 1X8 CAGE ASSEMBLY PRESS-FIT, EXTERNAL EMI SPRINGS
0 PLC ±0.25	1 PLC ±0.25	PRODUCT SPEC: 108-60128	SIZE: A1
2 PLC ±0.20	3 PLC ±0.20	APPLICATION SPEC:	CAGE CODE: 2364488
4 PLC ±0.20	ANGLES ±	114-60027	RESTRICTED TO:
MATERIAL:	FINISH:	WEIGHT:	SCALE: 1:1
CUSTOMER DRAWING		SHEET 3 OF 6 REV A1	

LOC	DIST	REVISIONS			
GP	00	REV	DATE	BY	APPV
-	-	SEE SHEET 1	-	-	-



THIS DRAWING IS A CONTROLLED DOCUMENT.		DWN: JASON YANG 22OCT2019	TE Connectivity
DIMENSIONS: mm		CHK: SEAN HAN 22OCT2019	
TOLERANCES UNLESS OTHERWISE SPECIFIED: 0 PLC $\pm 0.25$ 1 PLC $\pm 0.25$ 2 PLC $\pm 0.20$ 3 PLC $\pm 0.20$ 4 PLC $\pm 0.20$ ANGLES $\pm 0.20$		PRODUCT SPEC: 108-60128 APPLICATION SPEC: 114-60027	NAME: SFPDD 1X8 CAGE ASSEMBLY PRESS-FIT, EXTERNAL EMI SPRINGS SIZE: A1 CAGE CODE: 00779 DRAWING NO: C=2364488
MATERIAL:		FINISH: -	WEIGHT: - CUSTOMER DRAWING: - SCALE: 1:1 SHEET 4 OF 6 REV A1

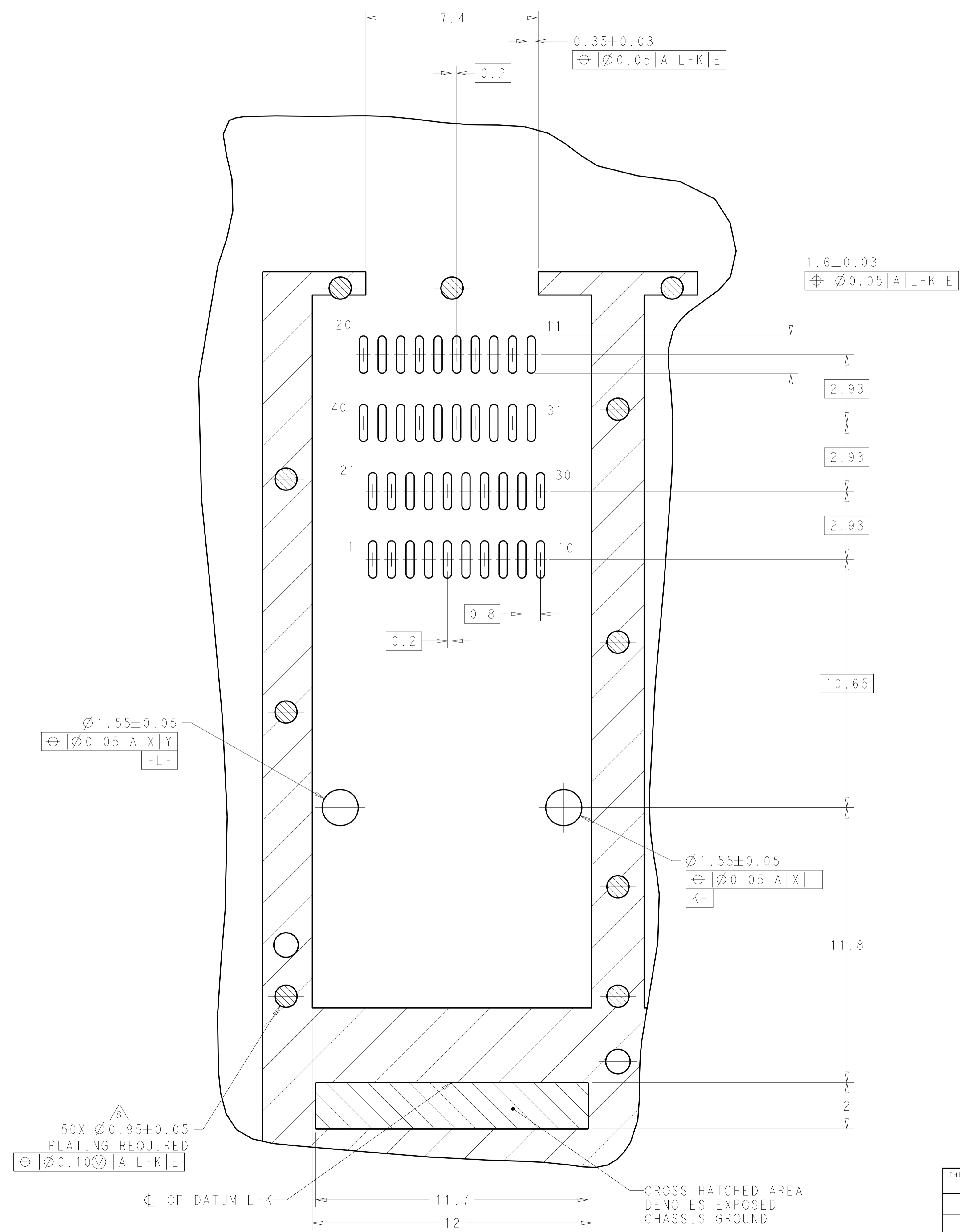
LOC	DIST	REVISIONS			
		REV	DATE	BY	APPV
GP	00	-	SEE SHEET 1	-	-



RECOMMENDED PCB CONFIGURATION WITH KEEP-OUTS FOR BELLY TO BELLY APPLICATIONS  
 SAME AS SINGLE SIDE APPLICATION, EXCEPT AS SHOWN  
 PCB TOLERANCE: ±0.05  
 SCALE 4:1

THIS DRAWING IS A CONTROLLED DOCUMENT.		DWN: JASON YANG 22OCT2019	TE Connectivity
		CHK: SEAN HAN 22OCT2019	
DIMENSIONS:	TOLERANCES UNLESS OTHERWISE SPECIFIED:	APVD:	NAME:
mm	0 PLC ±0.25	PRODUCT SPEC	SFPDD 1X8 CAGE ASSEMBLY
	1 PLC ±0.25	108-60128	PRESS-FIT, EXTERNAL EMI SPRINGS
	2 PLC ±0.20	APPLICATION SPEC	
	3 PLC ±0.20	114-60027	SIZE: CAGE CODE DRAWING NO
	4 PLC ±	WEIGHT	A100779C=2364488
	ANGLES ±	CUSTOMER DRAWING	RESTRICTED TO
MATERIAL	FINISH	SCALE 1:1	SHEET 5 OF 6

LOC	DIST	REVISIONS			
GP	00	REV	DATE	BY	APPV
-	-	SEE SHEET 1	-	-	-



$\varnothing 1.55 \pm 0.05$   
 $\oplus \varnothing 0.05 | A | X | Y$   
 -L-

$\varnothing 1.55 \pm 0.05$   
 $\oplus \varnothing 0.05 | A | X | L$   
 K-

$50 \times \varnothing 0.95 \pm 0.05$   
 PLATING REQUIRED  
 $\oplus \varnothing 0.10 \text{ (M)} | A | L - K | E$

CROSS HATCHED AREA DENOTES EXPOSED CHASSIS GROUND

DETAIL C  
SCALE 10:1

THIS DRAWING IS A CONTROLLED DOCUMENT.		DWN: JASON YANG 22OCT2019	TE Connectivity
		CHK: SEAN HAN 22OCT2019	
DIMENSIONS: mm		APVD:	NAME: SFPDD 1X8 CAGE ASSEMBLY PRESS-FIT, EXTERNAL EMI SPRINGS
TOLERANCES UNLESS OTHERWISE SPECIFIED: 0 PLC ±0.25 1 PLC ±0.25 2 PLC ±0.20 3 PLC ±0.20 4 PLC ±0.20 ANGLES ±		PRODUCT SPEC: 108-60128	RESTRICTED TO:
MATERIAL: FINISH:		APPLICATION SPEC: 114-60027	SIZE: A1
		WEIGHT: CUSTOMER DRAWING	SCALE: 1:1 SHEET 6 OF 6 REV: A1

## X-ON Electronics

Largest Supplier of Electrical and Electronic Components

*Click to view similar products for [I/O Connectors](#) category:*

*Click to view products by [TE Connectivity](#) manufacturer:*

Other Similar products are found below :

[571763P](#) [D20419-211](#) [72.250.1628.2](#) [72.250.2428.2](#) [74720-0505](#) [76.350.0729.0](#) [76871-1403](#) [FCN-244F080-G/1](#) [FCN-260A9920](#) [MP-5T180MUNNA-005](#) [PCR-E36PM](#) [PCS-XE26MA+](#) [G38A71314B](#) [1571250010](#) [157-22500-3](#) [MS3471L14-19P L/C](#) [172501-4002](#) [172501-6002](#) [FCN-260C008-A/L0](#) [FCN-260C024-AL0](#) [FCN-261Z008](#) [2000314-1](#) [200331-1](#) [PCR-E36FC+](#) [PCS-E28FS+](#) [PCS-XE26SLFD+](#) [PCS-XE26SLFDT+](#) [G730VID08BDC24](#) [HDMR-29-01-S-SM-TR](#) [U90B2054081210](#) [UE86K842720321](#) [38113800006](#) [DP3AR020WQ1R200](#) [Z4.102.0680.0](#) [500-1040](#) [500-1052](#) [500-1054](#) [ZP-4008-66L](#) [0709821002](#) [5554841-1](#) [U90B3054061110](#) [U65-E04-4020](#) [ZPF00000000097891](#) [557-262M2-06C](#) [747360449](#) [10099439-003C-TRLF](#) [10137239-0021LF](#) [E9320-001-01](#) [10137239-0011LF](#) [70289-001LF](#)