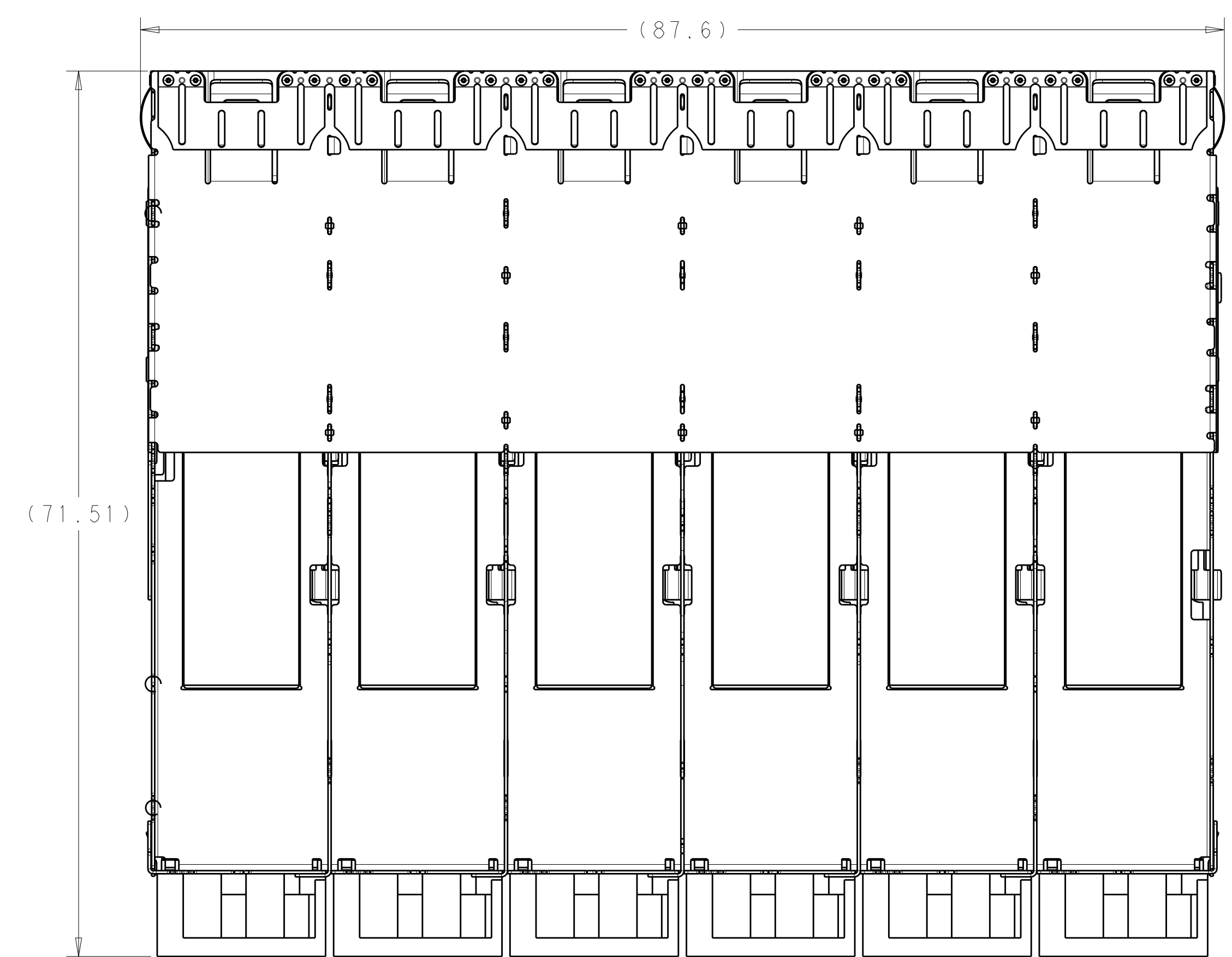
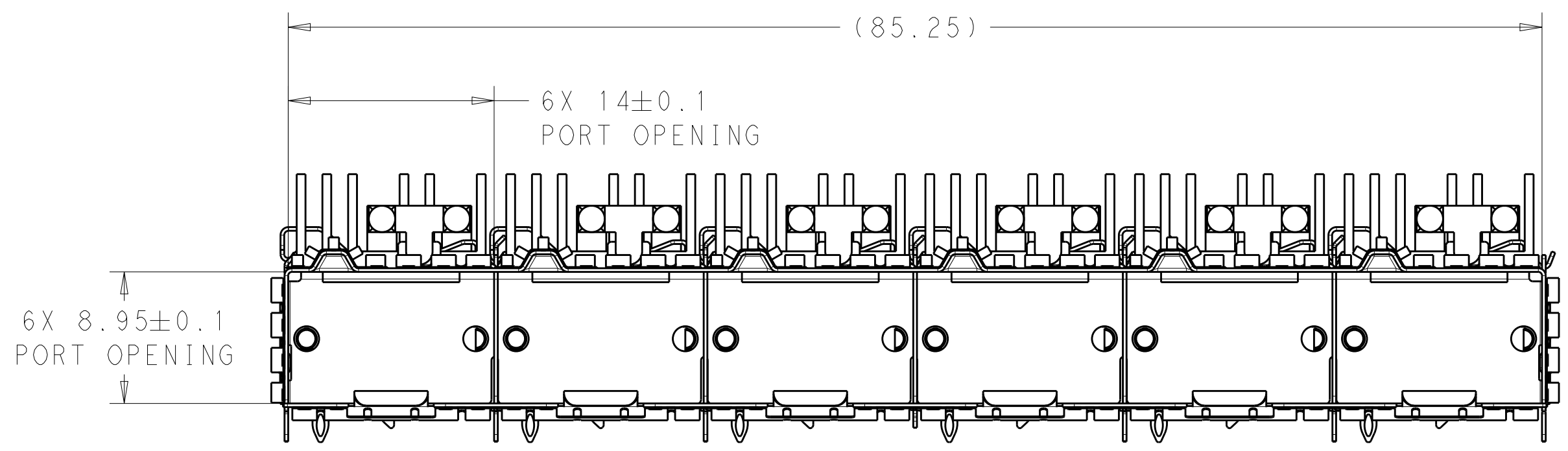
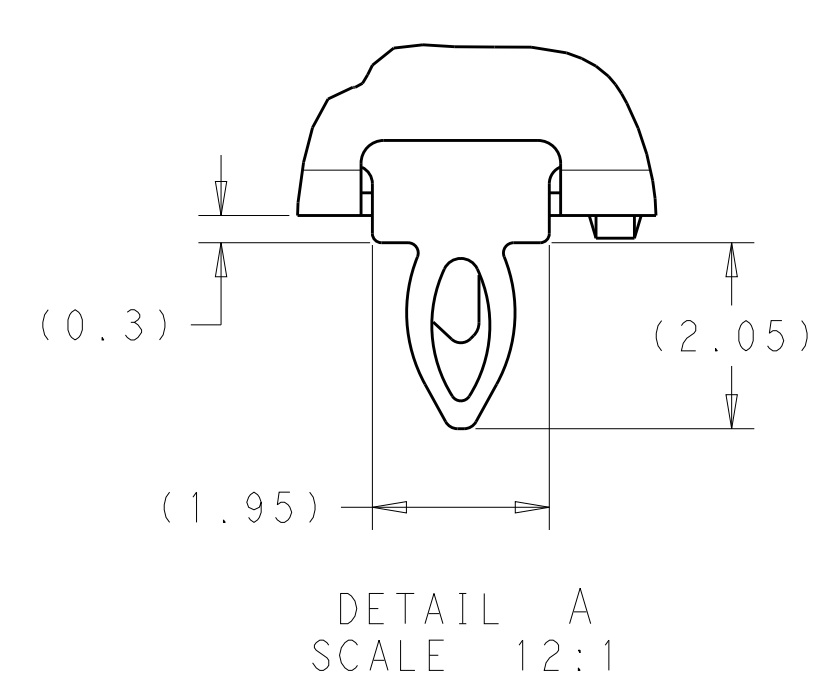
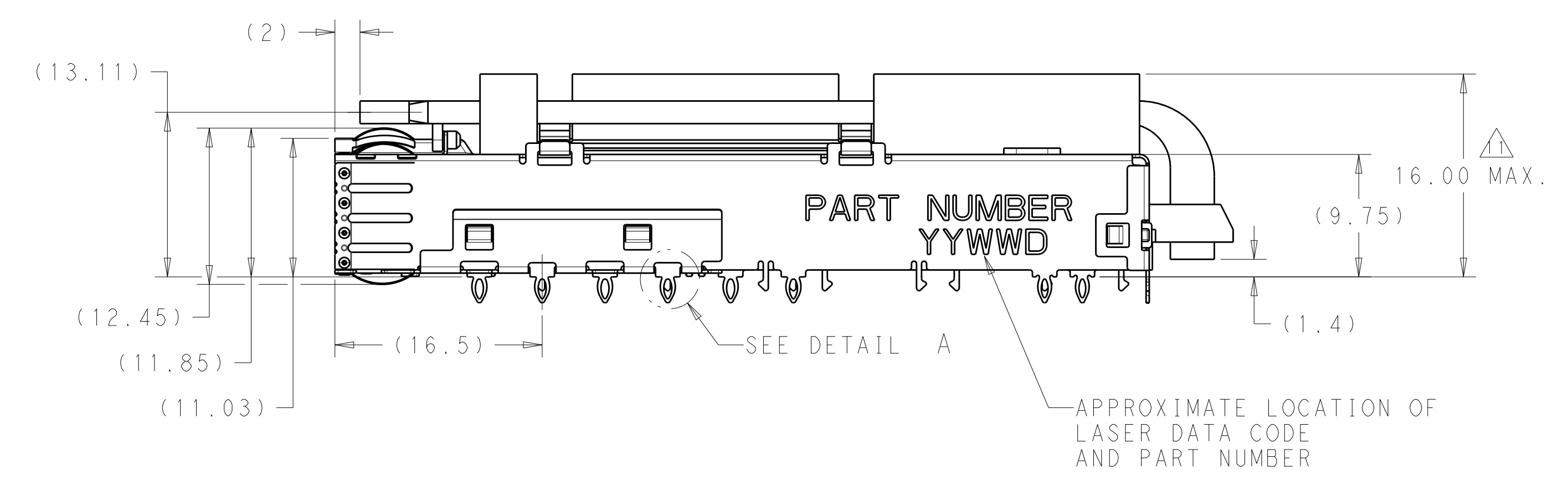


2364706-1  
FINISHED ASSEMBLY  
SCALE 2:1



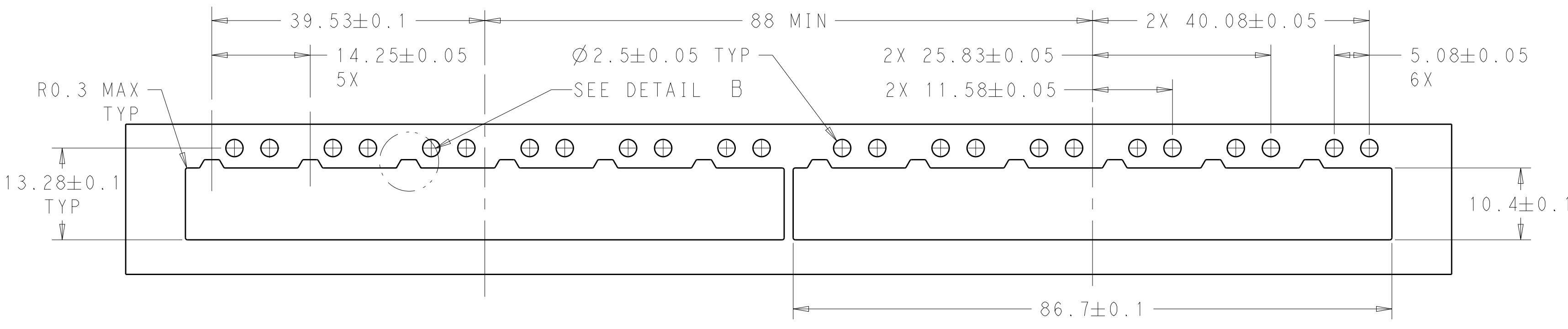
1. CAGE: 0.25mm THICK STAINLESS STEEL  
EMI SPRINGS: COPPER ALLOY  
HEAT SINK: ALUMINUM  
HEAT SINK CLIP: STAINLESS STEEL  
LIGHT PIPE: CLEAR POLYCARBONATE
  2. FINISH:  
SPRINGS: 0.8um NICKEL. NON-PLATED EDGES PERMISSIBLE.  
HEAT SINK: BLACK ANODIZATION
  3. MATES WITH SFP-DD MSA COMPLIANT TRANSCEIVERS.
  4. INTERPRETATION OF DATUM REFERENCE FRAME IN ACCORDANCE WITH SECT 4.4.1.1 OF ASME Y14.5M-1994.
  5. MINIMUM PC BOARD THICKNESS:  
SINGLE SIDED = 1.57mm  
DOUBLE SIDED = 2.20mm
  6. DATUM AND BASIC DIMENSION ESTABLISHED BY CUSTOMER.
  7. REFERENCE APPLICATION SPEC. 114-60027, HOLE A, FOR RECOMMENDED DRILL HOLE DIAMETER AND PLATING THICKNESS.
  8. REFERENCE APPLICATION SPEC. 114-60027, HOLE B, FOR RECOMMENDED DRILL HOLE DIAMETER AND PLATING THICKNESS.
  9. HOLE PATTERN REPEATS FOR EACH PORT. SPACING BETWEEN PORTS IS 14.25mm.
  10. DATUM -A- IS TOP SURFACE OF THE HOST BOARD.
- △ DIMENSION APPLIES WITH MODULE INSERTED INTO CAGE.

| REVISIONS |     |                 |           |       |
|-----------|-----|-----------------|-----------|-------|
| P         | LTN | DESCRIPTION     | DATE      | APVD  |
| A         |     | INITIAL RELEASE | 26OCT2020 | AJ SH |
|           |     |                 |           |       |
|           |     |                 |           |       |

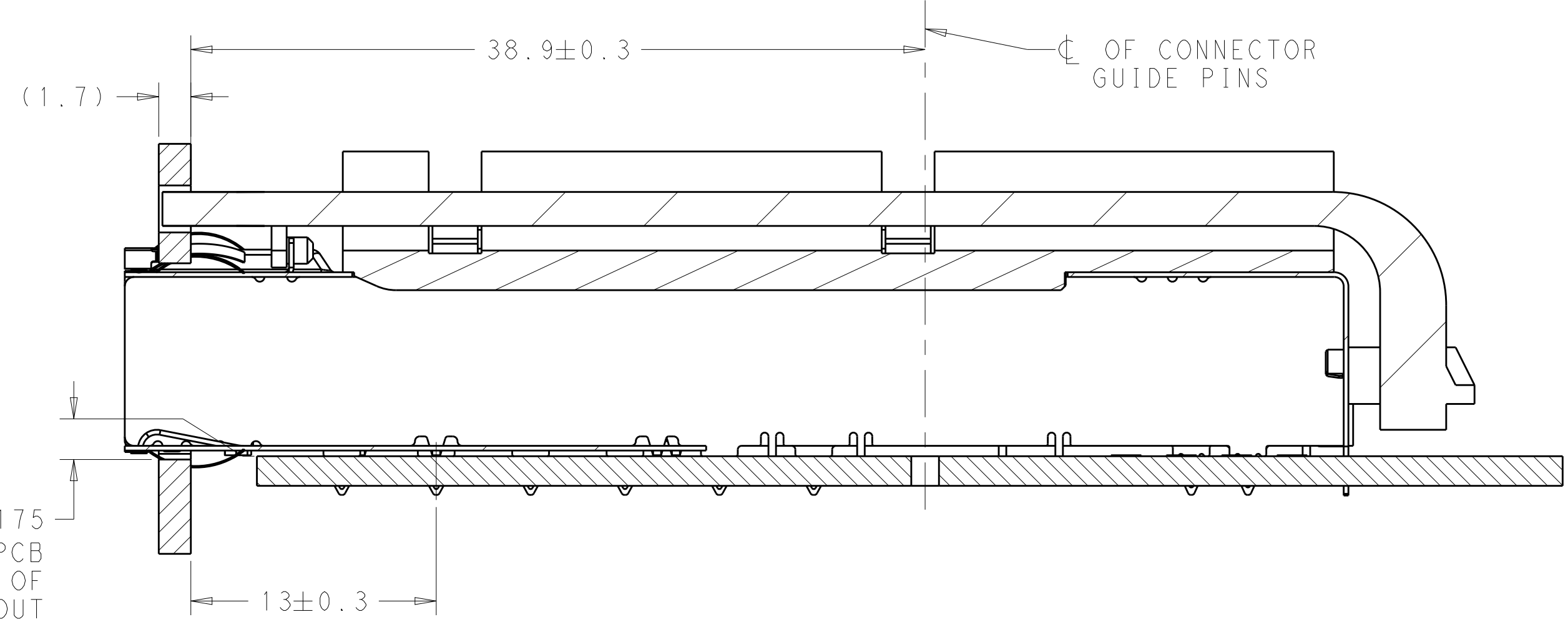


|  |  |  |  |   |  |   |  |
|--|--|--|--|---|--|---|--|
| SAN                                    |  | 2                                      |  | 2   |  | 2364706-1                                   |  |
| HEAT SINK                              |  | LIGHT PIPE # PER PORT                  |  | REAR PIN # PER PORT   |  | PART NUMBER                                 |  |
| THIS DRAWING IS A CONTROLLED DOCUMENT. |  |  |  | DWN: ARTHUR JIN 04NOV2019   |  | APVD: SEAN HAN 04NOV2019                    |  |
| DIMENSIONS:                            |  | TOLERANCES UNLESS OTHERWISE SPECIFIED: |  | NAME: SFPDD 1X6 CAGE ASSEMBLY W/LP HS PRESS-FIT, EXTERNAL EMI SPRINGS |  | RESTRICTED TO                               |  |
| mm                                     |  | 0 PLC ±0.25                            |  | PRODUCT SPEC: 108-60128   |  | SIZE: CAGE CODE: DRAWING NO: 00779C=2364706 |  |
| Ø                                      |  | 1 PLC ±0.25                            |  | APPLICATION SPEC: 114-60027   |  | SCALE: 1:1                                  |  |
| H                                      |  | 2 PLC ±0.20                            |  | WEIGHT: -   |  | SHEET 1 OF 5                                |  |
| L                                      |  | 3 PLC ±0.20                            |  | MATERIAL: -   |  | REV A                                       |  |
| R                                      |  | 4 PLC ±0.20                            |  | FINISH: -   |  |   |  |
| S                                      |  | 5 PLC ±0.20                            |  | CUSTOMER DRAWING  |  |   |  |
| T                                      |  | 6 PLC ±0.20                            |  |   |  |   |  |
| Ø                                      |  | ANGLES: -                              |  |   |  |   |  |

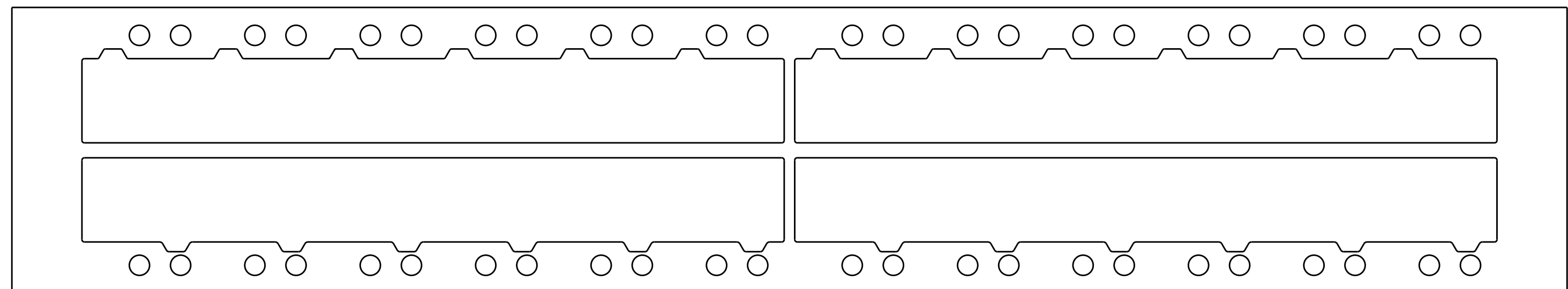
| REVISIONS |     |             |      |      |
|-----------|-----|-------------|------|------|
| P.        | LTN | DESCRIPTION | DATE | APVD |
| -         | -   | SEE SHEET 1 | -    | -    |
|           |     |             |      |      |
|           |     |             |      |      |



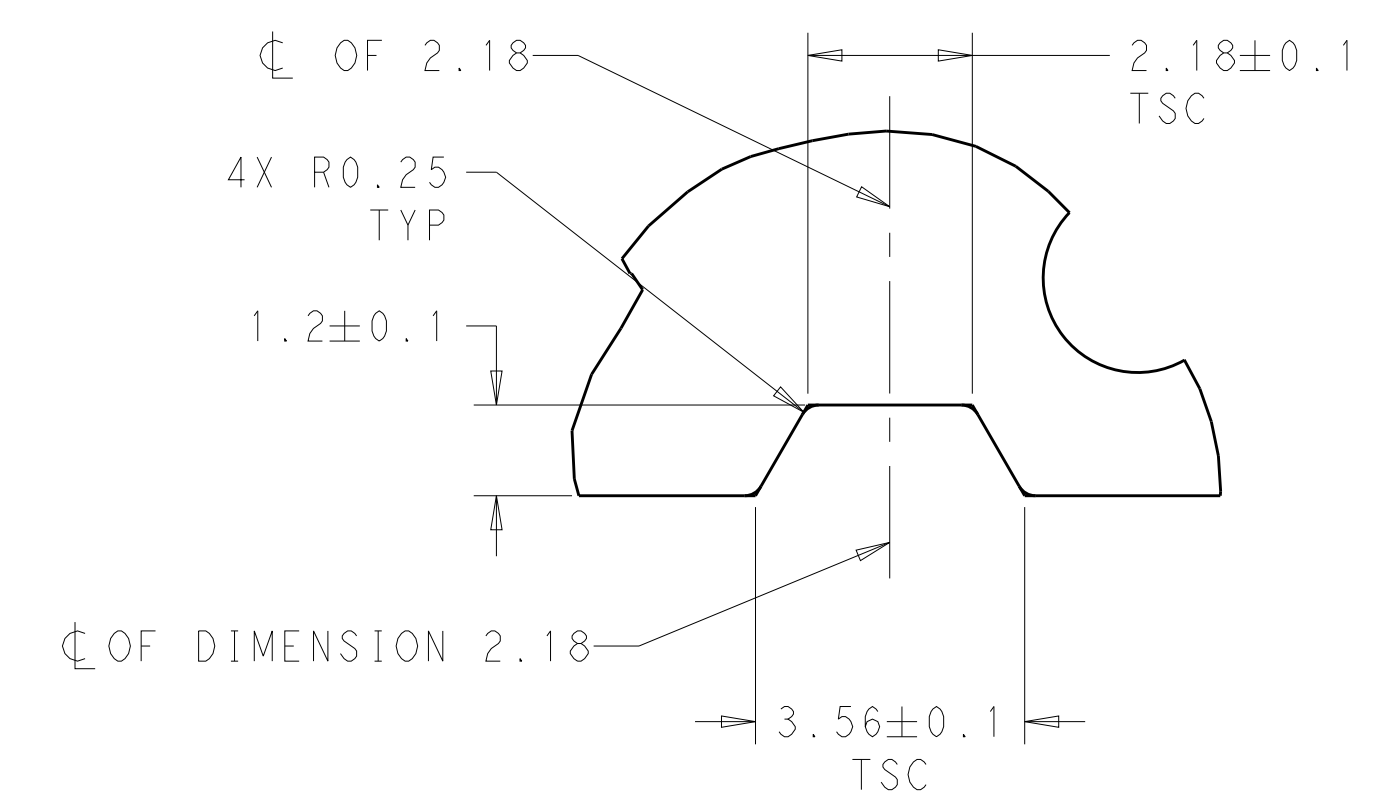
RECOMMENDED BEZEL CUT-OUT  
SINGLE SIDED APPLICATIONS  
SCALE 2:1



SINGLE SIDED MOUNTED ON PC BOARD  
SHOWN THRU RECOMMENDED BEZEL  
SECTION BEZEL-BEZEL  
SCALE 4:1



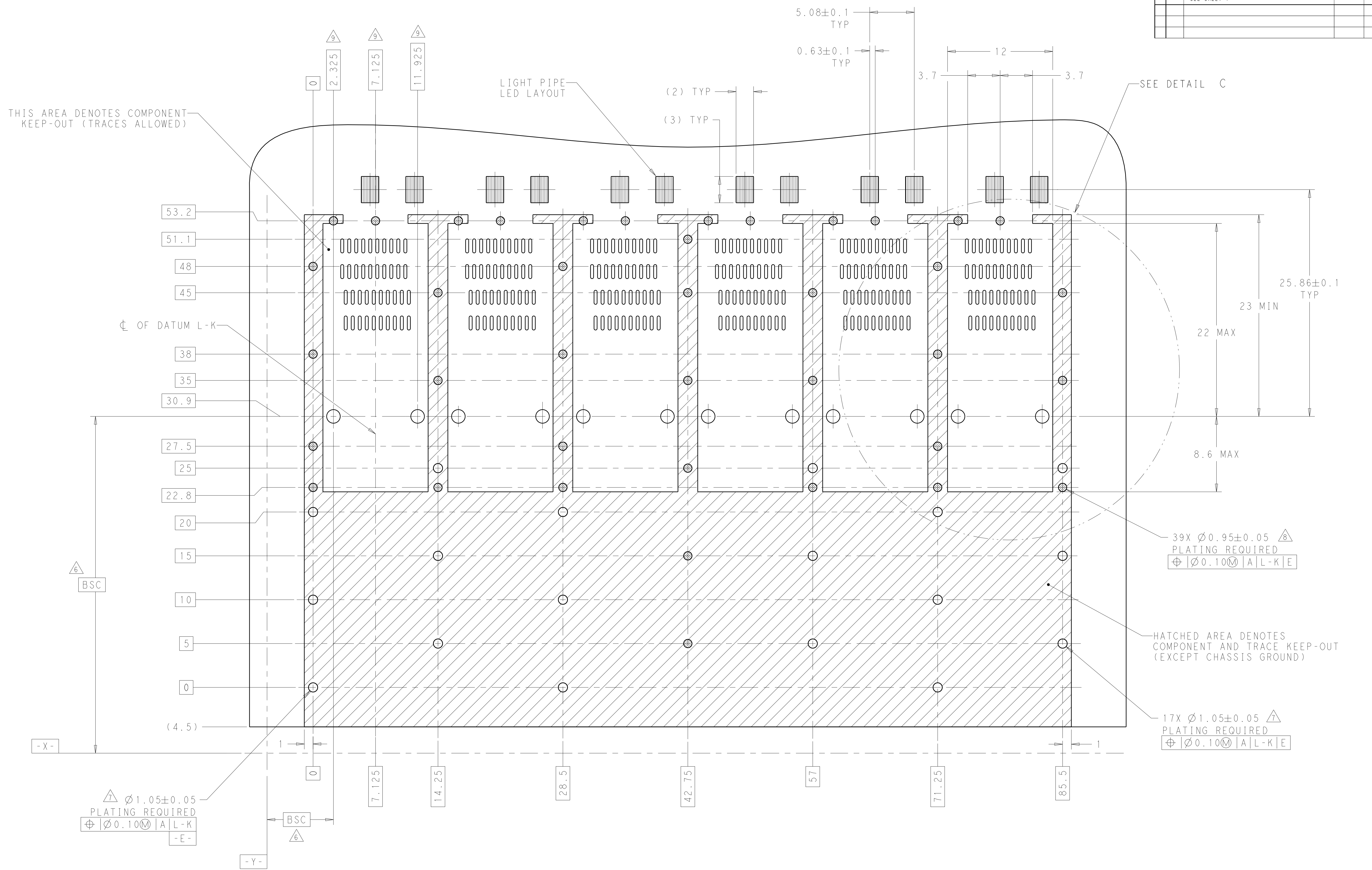
RECOMMENDED BEZEL CUT-OUT  
BELLY TO BELLY APPLICATIONS  
SCALE 2:1



DETAIL B  
SCALE 10:1

|  |  |                           |                                 |
|--|--|---------------------------|---------------------------------|
| THIS DRAWING IS A CONTROLLED DOCUMENT. |  | DWN: ARTHUR_JLN 04NOV2019 | TE Connectivity                 |
|  |  | CHK: SEAN_HAN 04NOV2019   |                                 |
| DIMENSIONS:                            | TOLERANCES UNLESS OTHERWISE SPECIFIED: | APVD:                     | NAME:                           |
| mm                                     | 0 PLC ±0.25                            | PRODUCT SPEC:             | SFPDD 1X6 CAGE ASSEMBLY W/LP HS |
|  | 1 PLC ±0.25                            | 108-60128                 | PRESS-FIT, EXTERNAL EMI SPRINGS |
|  | 2 PLC ±0.20                            | APPLICATION SPEC:         |                                 |
|  | 3 PLC ±0.20                            | 114-60027                 | SIZE: CAGE CODE DRAWING NO:     |
|  | 4 PLC ±                                | WEIGHT:                   | A   00779   C=2364706           |
|  | ANGLES ±                               | CUSTOMER DRAWING          | RESTRICTED TO:                  |
| MATERIAL:                              | FINISH:                                | SCALE: 1:1                | SHEET 2 OF 5                    |
|  |  |                           | REV A                           |

| REVISIONS |             |             |      |      |
|-----------|-------------|-------------|------|------|
| P.        | LTN         | DESCRIPTION | DATE | APVD |
| -         | SEE SHEET 1 |             |      |      |

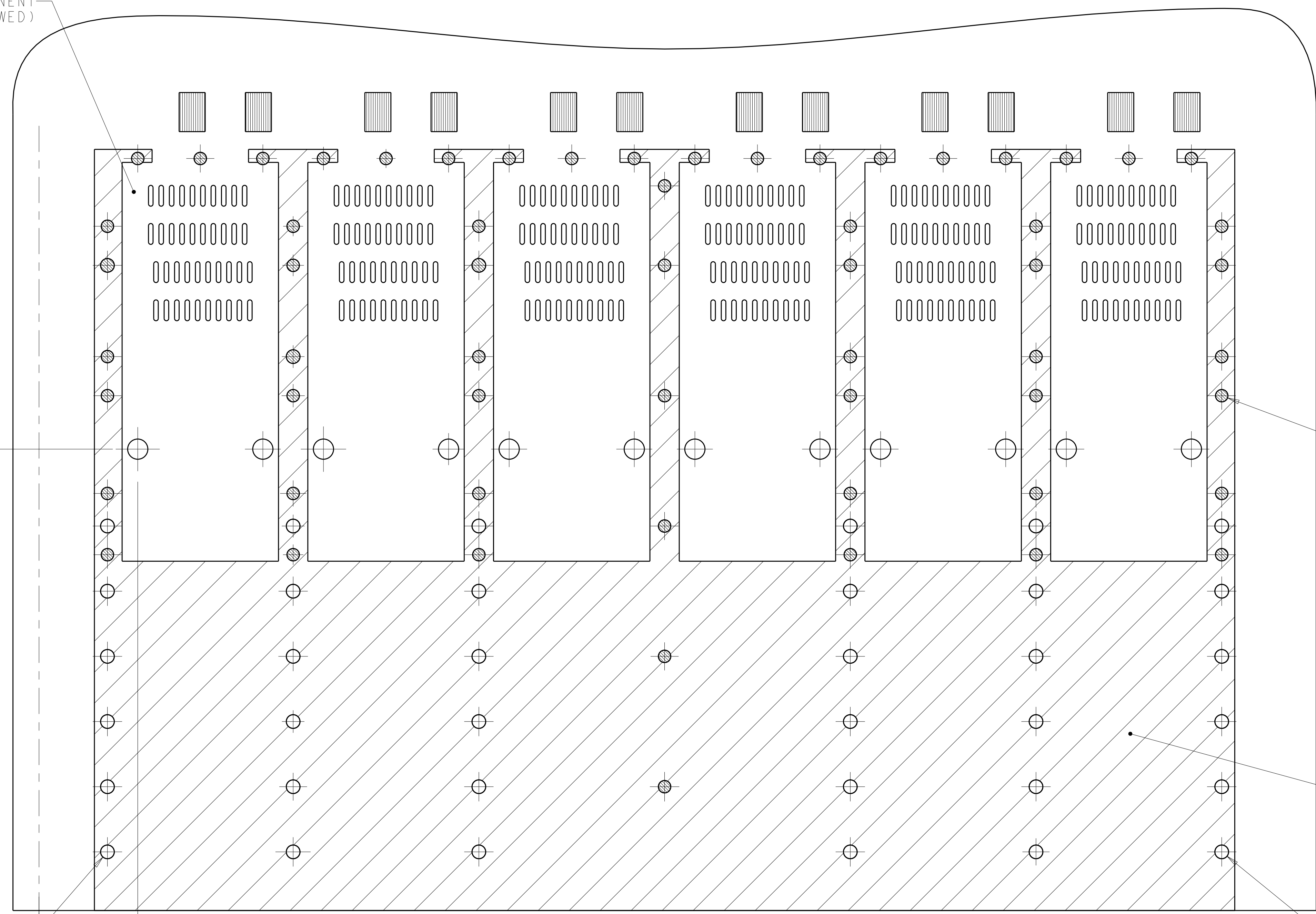


RECOMMENDED PCB CONFIGURATION  
WITH KEEP-OUT AREAS  
SINGLE SIDED APPLICATIONS  
SCALE 5:1

|  |       |                             |   |
|--|-------|-----------------------------|---|
| THIS DRAWING IS A CONTROLLED DOCUMENT. |       | OWN: ARTHUR JLN 04NOV2019   | TE Connectivity   |
| DIMENSIONS: mm                         |       | CHK: SEAN HAN 04NOV2019     |   |
| TOLERANCES UNLESS OTHERWISE SPECIFIED: |       | APVD:                       | NAME: SFPDD 1X6 CAGE ASSEMBLY W/LP HS PRESS-FIT, EXTERNAL EMI SPRINGS |
| 0 PLC                                  | ±0.25 | PRODUCT SPEC:               | 108-60128   |
| 1 PLC                                  | ±0.25 | APPLICATION SPEC:           | 114-60027   |
| 2 PLC                                  | ±0.20 | SIZE: CAGE CODE DRAWING NO: | A   00779   C=2364706   |
| 3 PLC                                  | ±0.20 | RESTRICTED TO:              |   |
| 4 PLC                                  | ±0.20 | WEIGHT:                     |   |
| ANGLES                                 | #     | CUSTOMER DRAWING            | SCALE 1:1 SHEET 3 OF 5 REV A  |

| REVISIONS |             |             |      |      |
|-----------|-------------|-------------|------|------|
| P.        | LTN         | DESCRIPTION | DATE | APVD |
| -         | SEE SHEET 1 |             |      |      |
|           |             |             |      |      |
|           |             |             |      |      |

THIS AREA DENOTES COMPONENT KEEP-OUT (TRACES ALLOWED)



60X  $\varnothing 0.95 \pm 0.05$   $\triangle 8$   
 PLATING REQUIRED  
 $\oplus \varnothing 0.10 \text{M} | A | L - K | E$

HATCHED AREA DENOTES COMPONENT AND TRACE KEEP-OUT (EXCEPT CHASSIS GROUND)

35X  $\varnothing 1.05 \pm 0.05$   $\triangle 8$   
 PLATING REQUIRED  
 $\oplus \varnothing 0.10 \text{M} | A | L - K | E$

$\triangle 6$   
 BSC

$\triangle \varnothing 1.05 \pm 0.05$   
 PLATING REQUIRED  
 $\oplus \varnothing 0.10 \text{M} | A | L - K | E$   
 -E-

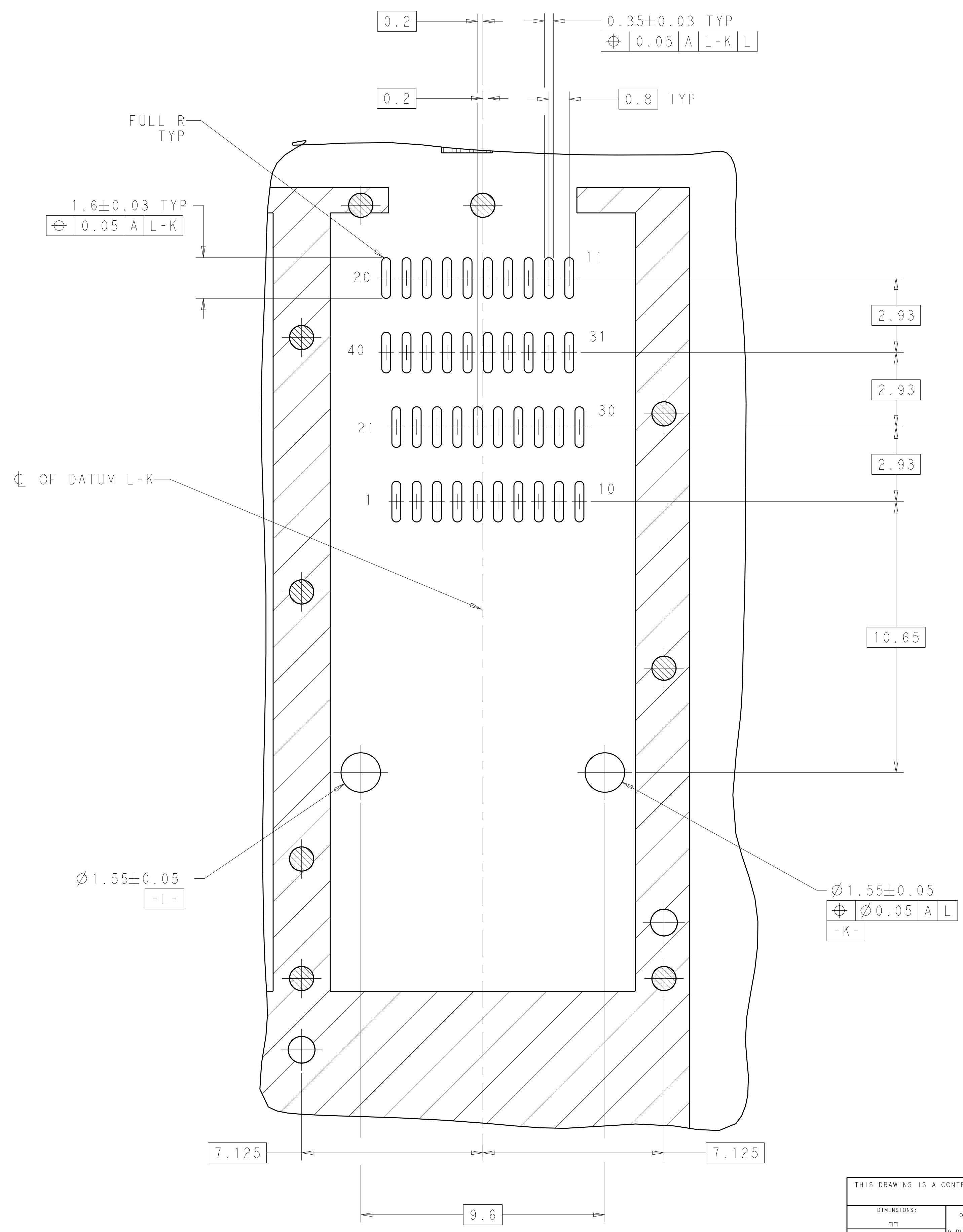
BSC  
 $\triangle 6$

RECOMMENDED PCB CONFIGURATION WITH KEEP-OUTS FOR BELLY TO BELLY APPLICATIONS  
 SAME AS SINGLE SIDE APPLICATION, EXCEPT AS SHOWN  
 SCALE 5:1

|  |  |   |                                       |
|--|--|---|---------------------------------------|
| THIS DRAWING IS A CONTROLLED DOCUMENT. |  | DWN: ARTHUR JIN 04NOV2019<br>CHK: SEAN HAN 04NOV2019<br>APVD:     | TE Connectivity                       |
| DIMENSIONS:<br>mm<br>                  | TOLERANCES UNLESS OTHERWISE SPECIFIED:<br>0 PLC $\pm 0.25$<br>1 PLC $\pm 0.25$<br>2 PLC $\pm 0.20$<br>3 PLC $\pm 0.20$<br>4 PLC $\pm 0.20$<br>ANGLES $\pm$ | PRODUCT SPEC: 108-60128<br>APPLICATION SPEC: 114-60027<br>WEIGHT: |                                       |
| MATERIAL: $\triangle$                  | FINISH:  | CUSTOMER DRAWING  | SCALE: 1:1<br>SHEET: 4 OF 5<br>REV: A |

| REVISIONS |     |             |      |      |
|-----------|-----|-------------|------|------|
| P.        | LTN | DESCRIPTION | DATE | APVD |
| -         | -   | SEE SHEET 1 | -    | -    |
|           |     |             |      |      |
|           |     |             |      |      |

- A -



DETAIL C  
SCALE 10:1

|  |   |   |   |
|--|---|---|---|
| THIS DRAWING IS A CONTROLLED DOCUMENT. |   | DWN: ARTHUR JLN 04NOV2019<br>CHK: SEAN HAN 04NOV2019<br>APVD: | TE Connectivity                                   |
| DIMENSIONS:<br>mm                      | TOLERANCES UNLESS OTHERWISE SPECIFIED:<br>0 PLC ±0.25<br>1 PLC ±0.25<br>2 PLC ±0.20<br>3 PLC ±0.20<br>4 PLC ±0.20<br>ANGLES ± | PRODUCT SPEC: 108-60128<br>APPLICATION SPEC:<br>114-60027     |   |
| MATERIAL:                              | FINISH:   | WEIGHT:   | CUSTOMER DRAWING<br>SCALE: 1:1 SHEET 5 OF 5 REV A |

## X-ON Electronics

Largest Supplier of Electrical and Electronic Components

*Click to view similar products for [I/O Connectors](#) category:*

*Click to view products by [TE Connectivity](#) manufacturer:*

Other Similar products are found below :

[571763P](#) [D20419-211](#) [72.250.1628.2](#) [72.250.2428.2](#) [74720-0505](#) [76.350.0729.0](#) [76871-1403](#) [FCN-244F080-G/1](#) [FCN-260A9920](#) [MP-5T180MUNNA-005](#) [PCR-E36PM](#) [PCS-XE26MA+](#) [G38A71314B](#) [1571250010](#) [157-22500-3](#) [MS3471L14-19P L/C](#) [172501-4002](#) [172501-6002](#) [FCN-260C008-A/L0](#) [FCN-260C024-AL0](#) [FCN-261Z008](#) [2000314-1](#) [200331-1](#) [PCR-E36FC+](#) [PCS-E28FS+](#) [PCS-XE26SLFD+](#) [PCS-XE26SLFDT+](#) [G730VID08BDC24](#) [HDMR-29-01-S-SM-TR](#) [U90B2054081210](#) [UE86K842720321](#) [38113800006](#) [DP3AR020WQ1R200](#) [Z4.102.0680.0](#) [500-1040](#) [500-1052](#) [500-1054](#) [ZP-4008-66L](#) [0709821002](#) [5554841-1](#) [U90B3054061110](#) [U65-E04-4020](#) [ZPF00000000097891](#) [557-262M2-06C](#) [747360449](#) [10099439-003C-TRLF](#) [10137239-0021LF](#) [E9320-001-01](#) [10137239-0011LF](#) [70289-001LF](#)