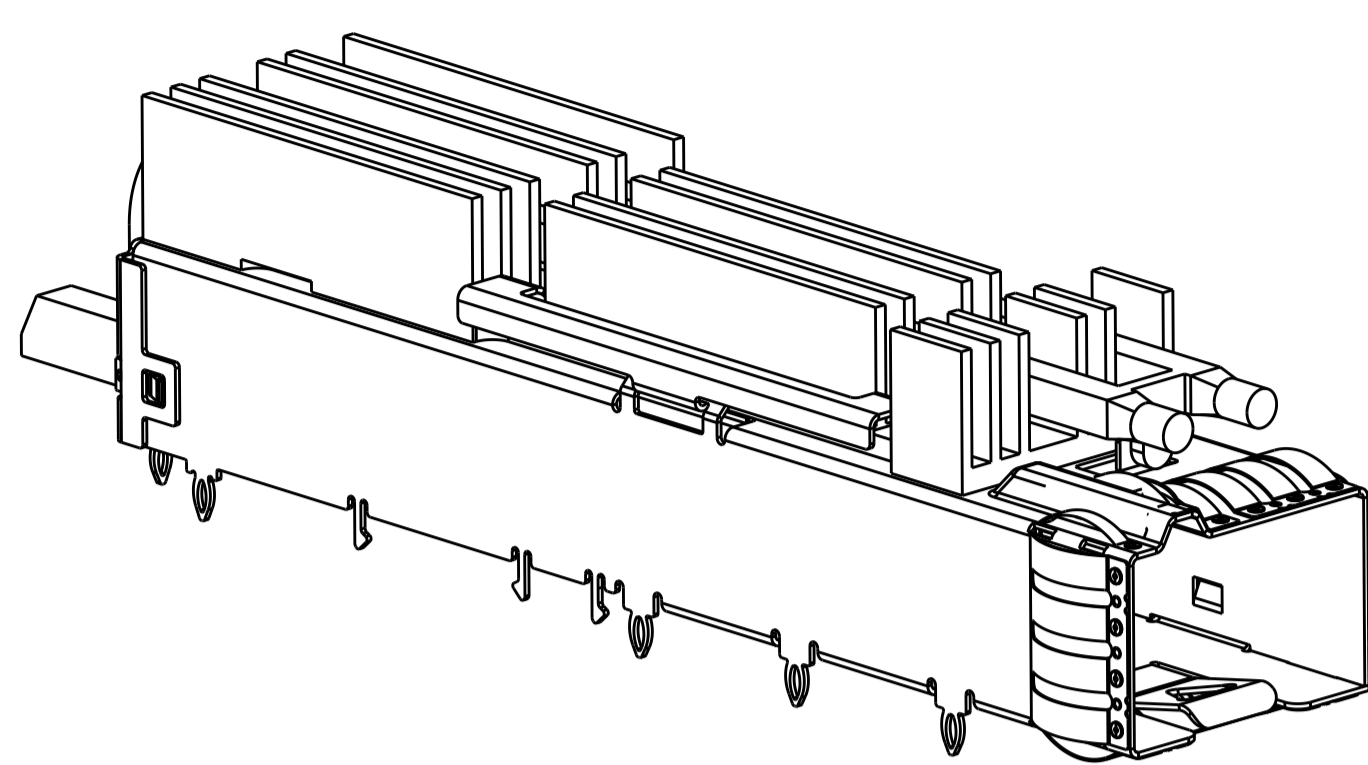
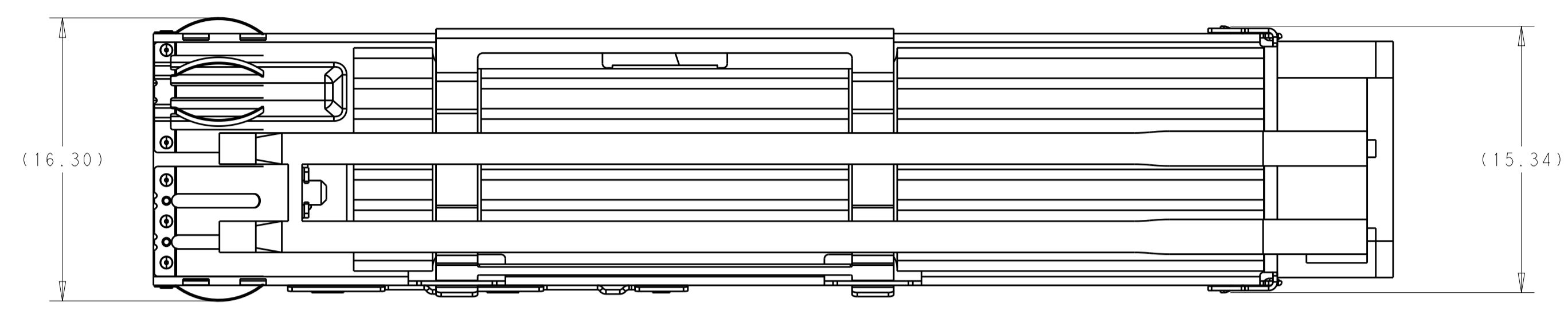


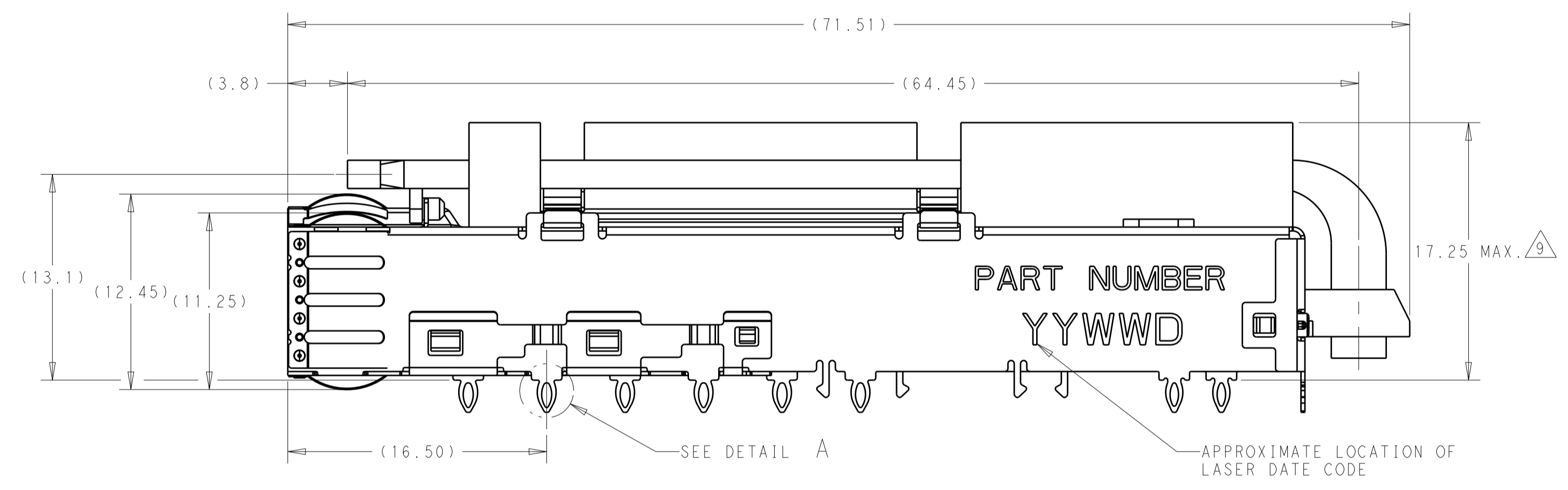
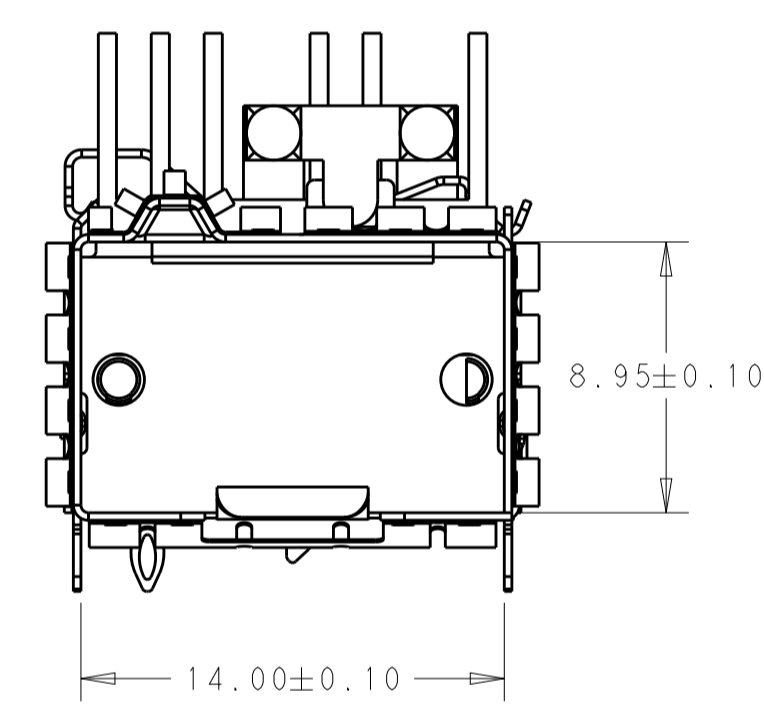
REVISIONS				
P.	LTN.	DESCRIPTION	DATE	APVD.
A		INITIAL RELEASE	20OCT2020	AJ SH
A1		REVISED PER ECR-20-015843	06NOV2020	IT SH



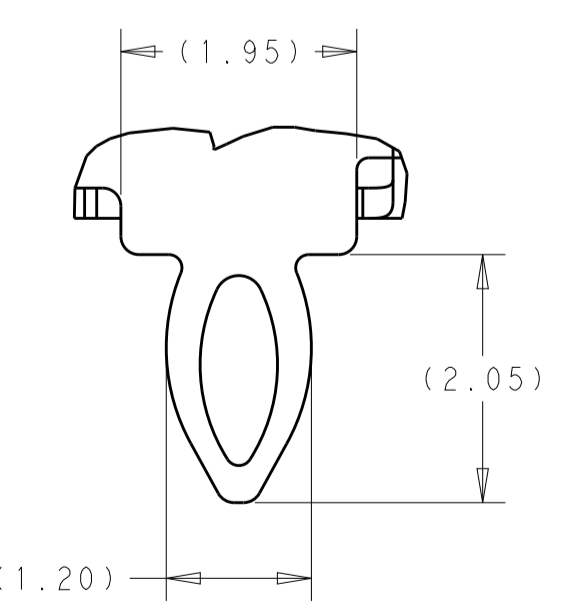
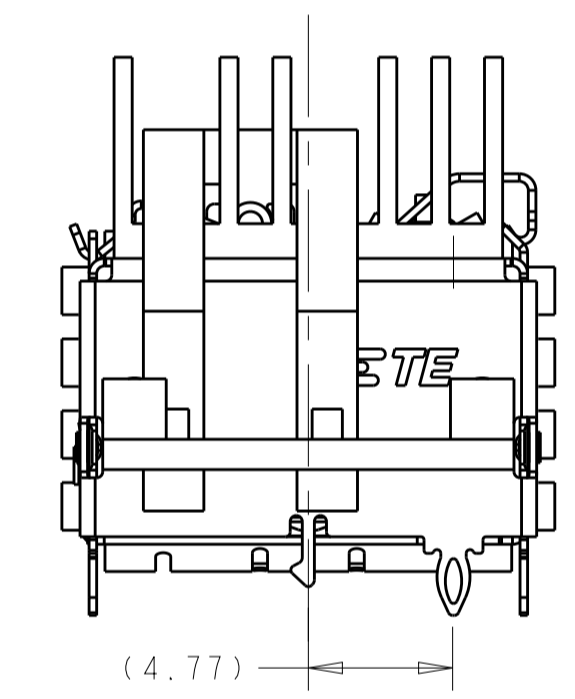
2366031-1 AS SHOWN
SCALE 3:1



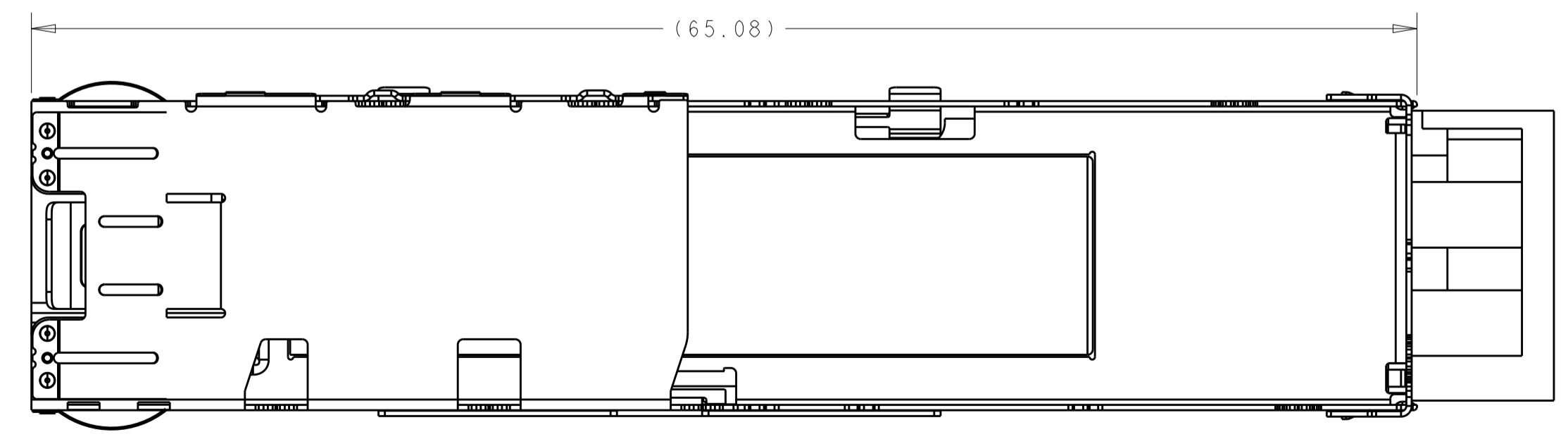
- 1 MATERIAL:
 CAGE ASSEMBLY - 0.25mm THICK STAINLESS STEEL.
 EMI SPRINGS - COPPER ALLOY.
 HEAT SINK - ALUMINUM
 CLIP - STAINLESS STEEL.
 LIGHT PIPE - CLEAR POLYCARBONATE
- 2 FINISH
 EMI SPRINGS - NICKEL PLATING, NON-PLATED EDGES PERMISSIBLE.
 HEAT SINK - SEE TABLE
3. MATES WITH SFP-DD MSA COMPLIANT TRANSCEIVERS.
- 4 DATUM AND BASIC DIMENSION ESTABLISHED BY CUSTOMER.
5. MINIMUM PC BOARD THICKNESS:
 SINGLE SIDED = 1.57 mm
 DOUBLE SIDED = 2.20 mm
- 6 REFERENCE APPLICATION SPEC. 114-60027, HOLE A, FOR RECOMMENDED DRILL HOLE DIAMETER AND PLATING THICKNESS.
- 7 REFERENCE APPLICATION SPEC. 114-60027, HOLE B, FOR RECOMMENDED DRILL HOLE DIAMETER AND PLATING THICKNESS.
8. DATUM -A- IS TOP SURFACE OF THE HOST BOARD.
- 9 MAXIMUM HEIGHT WITH MODULE INSERTED.



2366031-1 AS SHOWN
SCALE 4:1



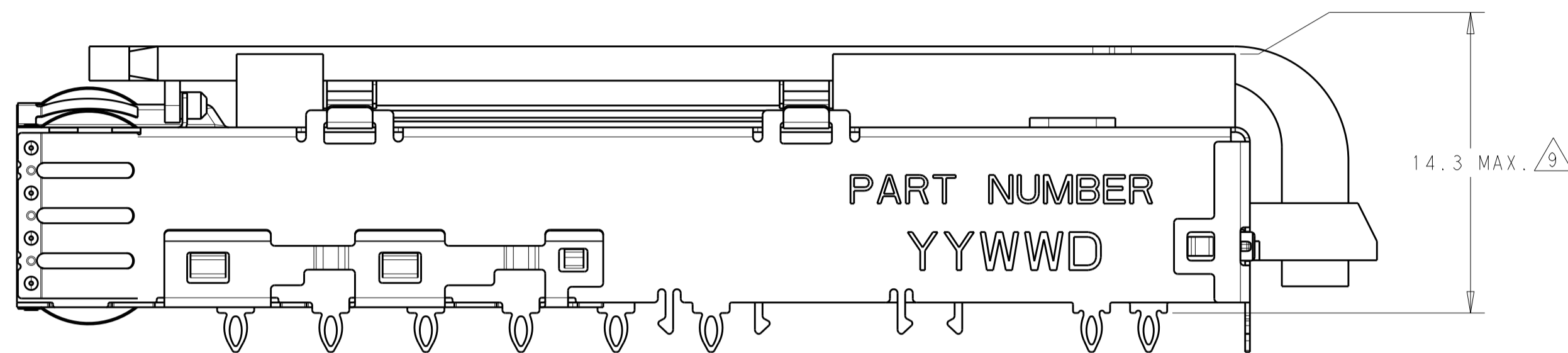
DETAIL A
SCALE 16:1



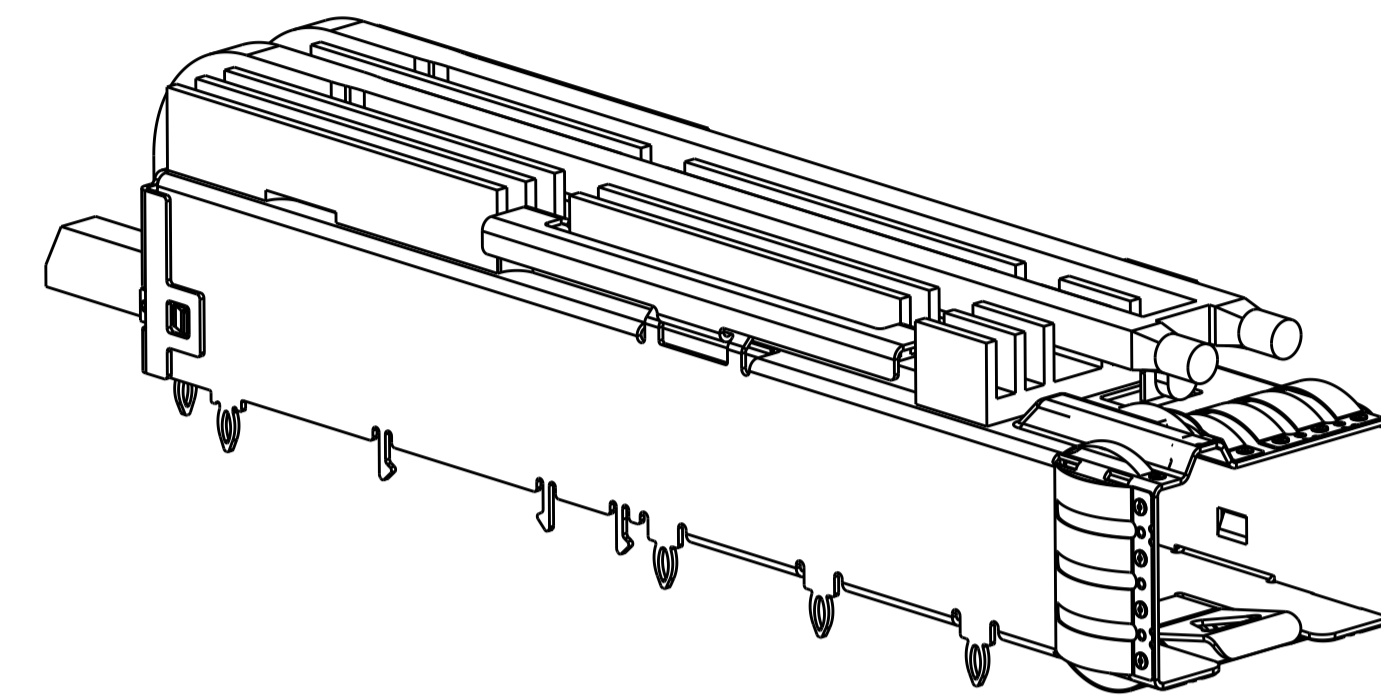
NICKEL PLATING	WITHOUT	SEE SHEET 2	2366031-3
NICKEL PLATING	WITH	SEE SHEET 2	2366031-2
BLACK ANODIZE	WITH	SEE SHEET 1	2366031-1
HSK FINISH	LIGHT PIPE	DESCRIPTION	PART NUMBER

THIS DRAWING IS A CONTROLLED DOCUMENT.		OWN: ARTHUR JIN 22NOV2019	TE Connectivity	
		CHK: SEAN HAN 22NOV2019		
DIMENSIONS:		NAME: CAGE ASSEMBLY, SFPDD 1X1 W/ GENERAL HS		
TOLERANCES UNLESS OTHERWISE SPECIFIED:		PRODUCT SPEC: 108-60128		
0 PLC ±		APPLICATION SPEC: 114-60027		
1 PLC ±0.25		SIZE: CAGE CODE DRAWING NO: A100779C=2366031		
2 PLC ±0.20		RESTRICTED TO:		
3 PLC ±0.10		WEIGHT: -		
4 PLC ±		CUSTOMER DRAWING		
ANGLES ±		SCALE: 2:1 SHEET 1 OF 5 REV: A1		
FINISH				

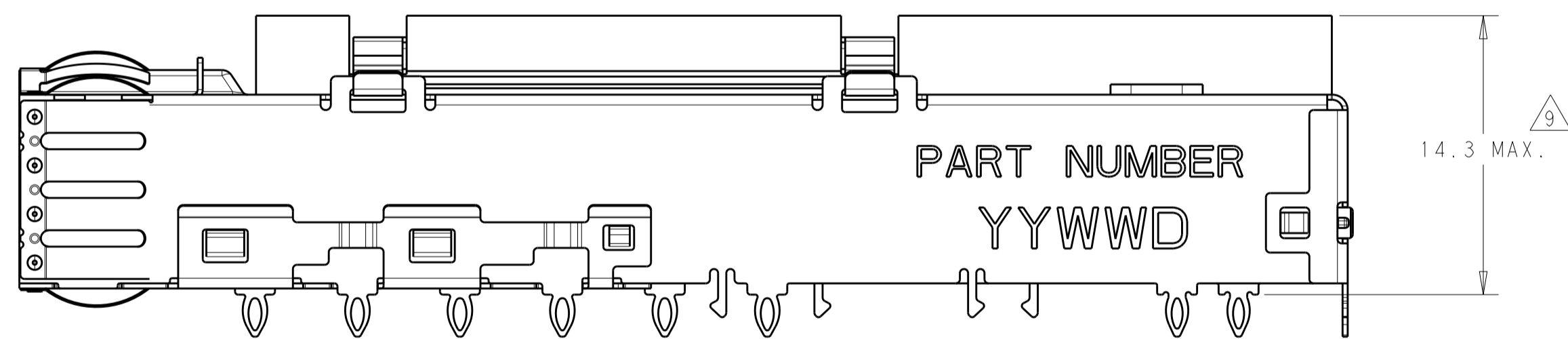
REVISIONS				
P.	LTN	DESCRIPTION	DATE	OWN APVD
-		SEE SHEET 1	-	-



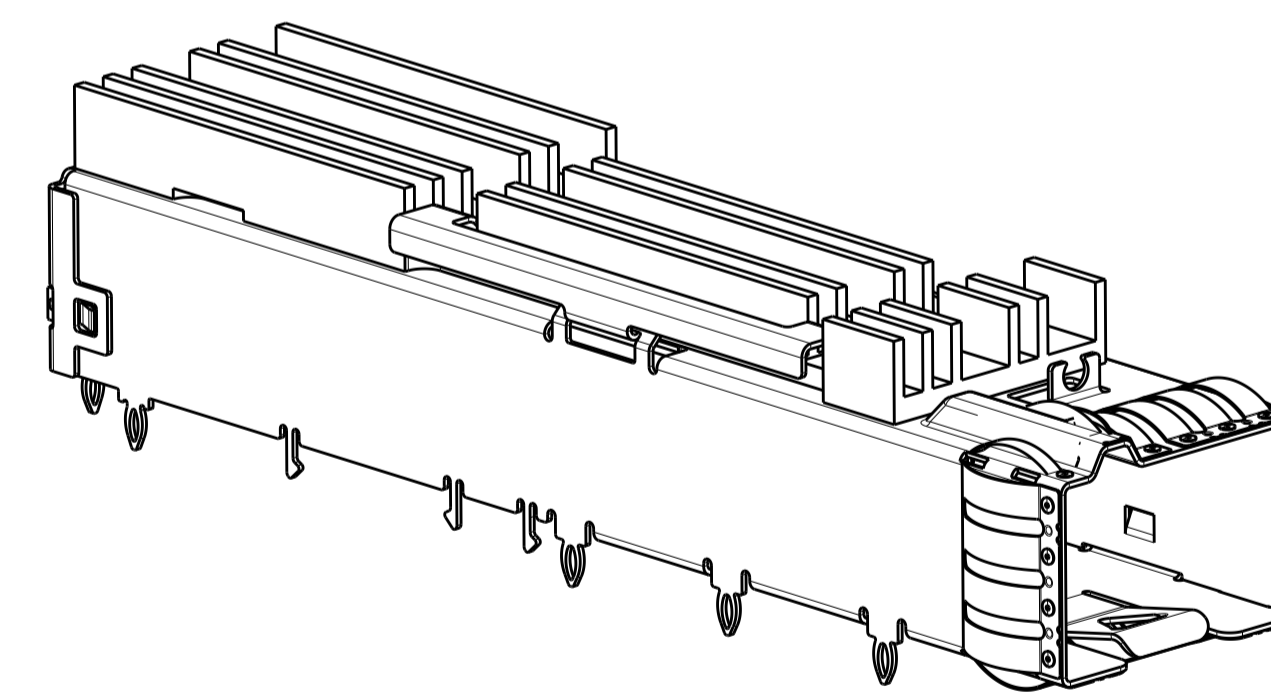
2366031-2 AS SHOWN
 SAME AS -1 EXCEPT DIFFERENT HEAT SINK
 SCALE 4:1



2366031-2 3D VIEW
 SCALE 3:1



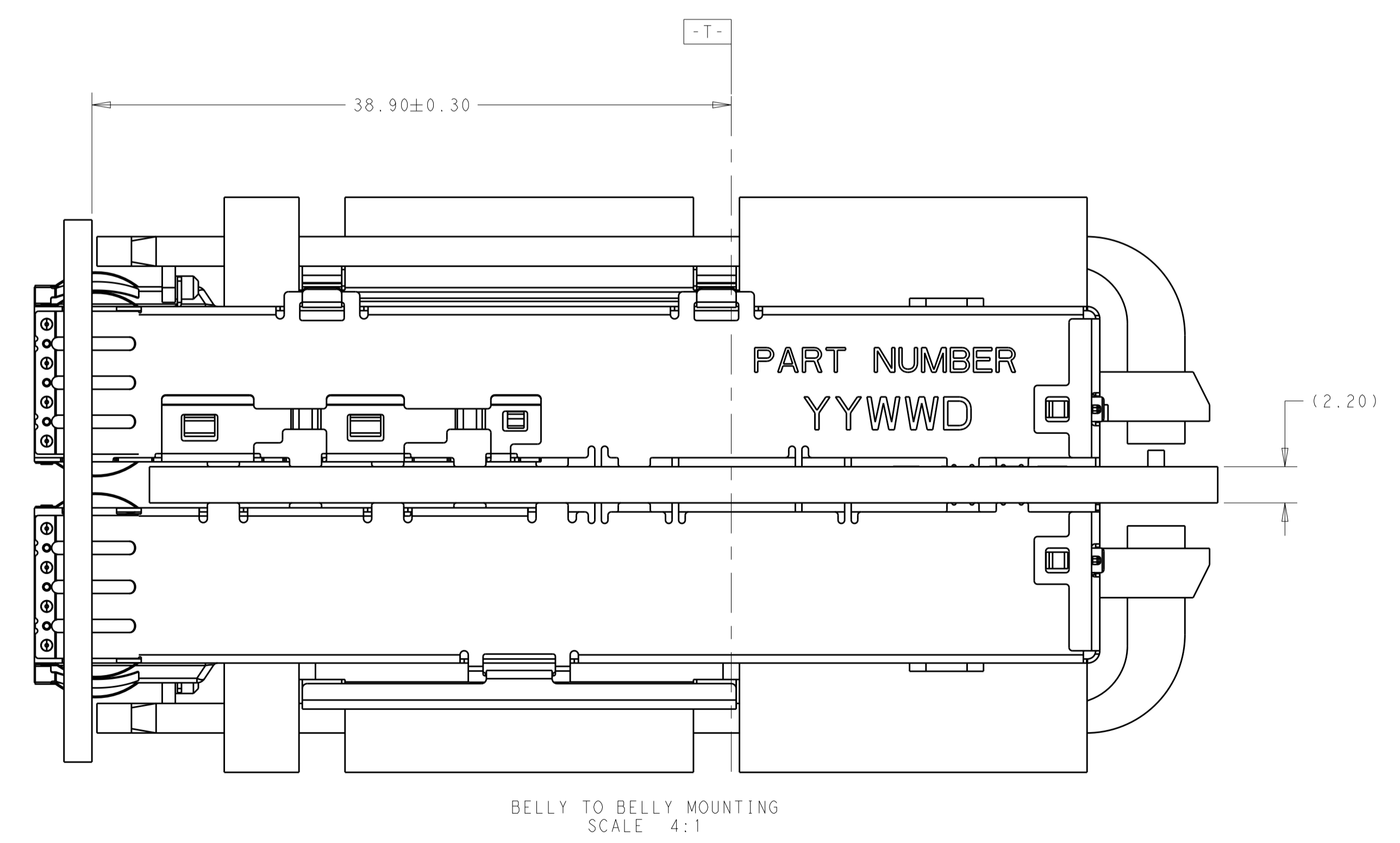
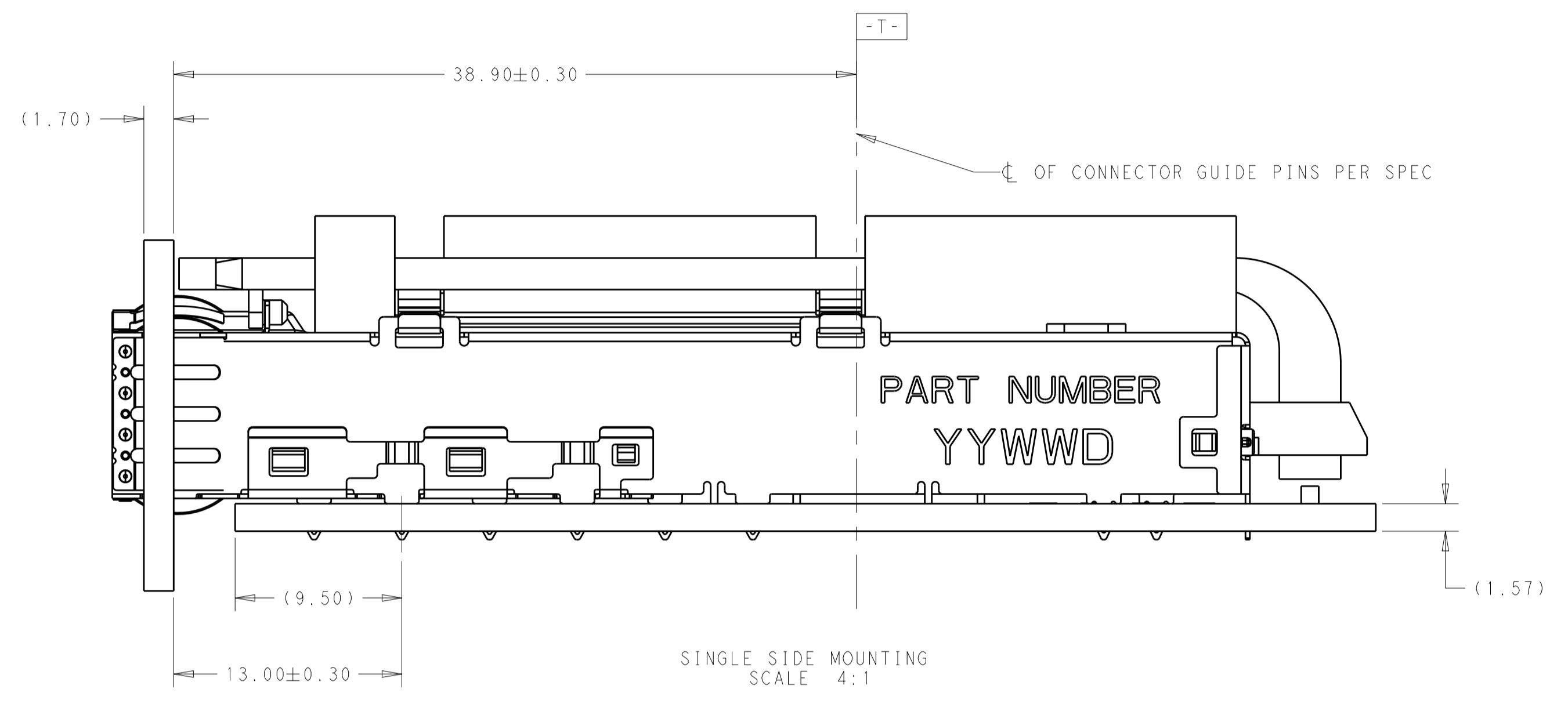
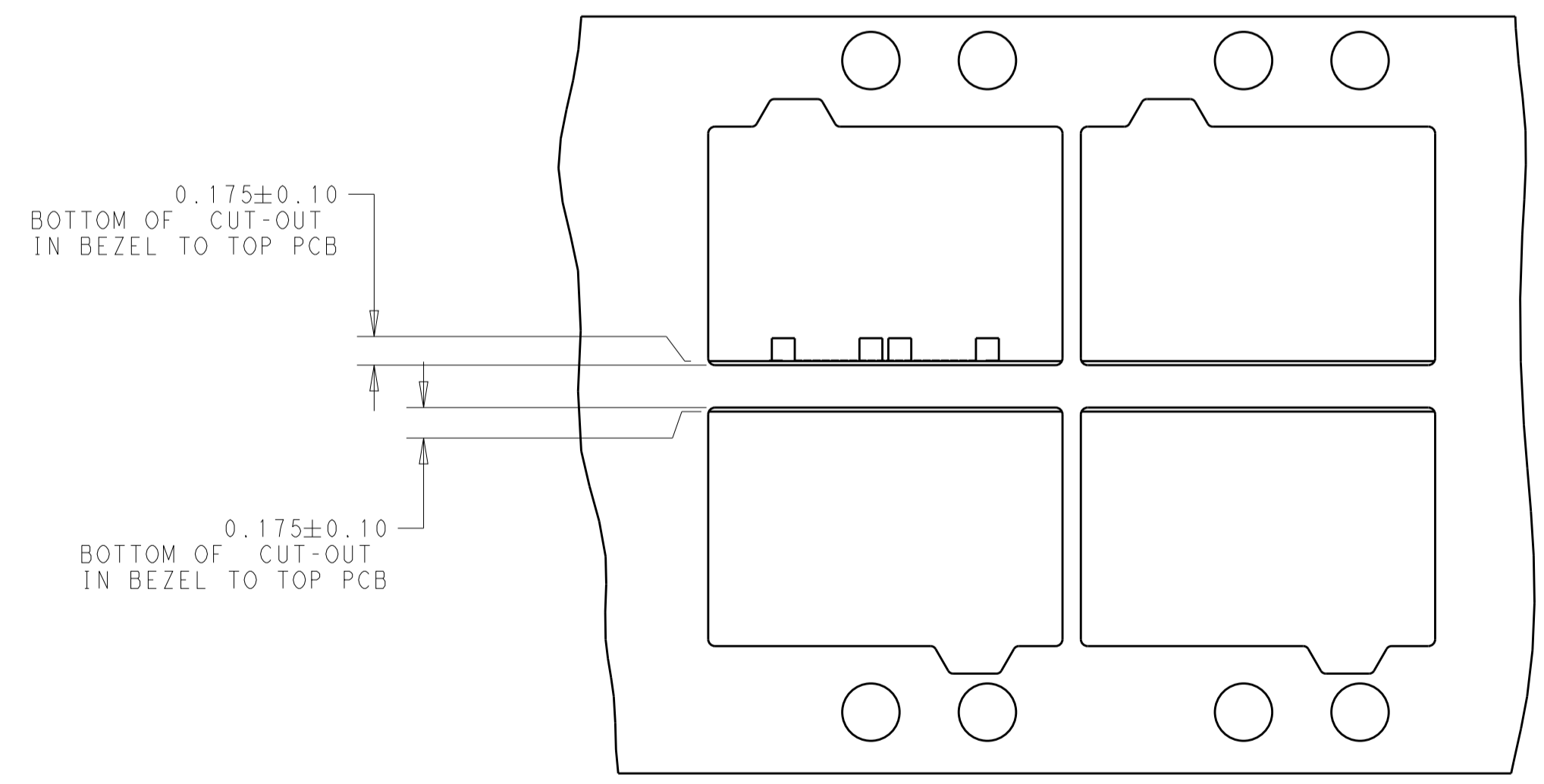
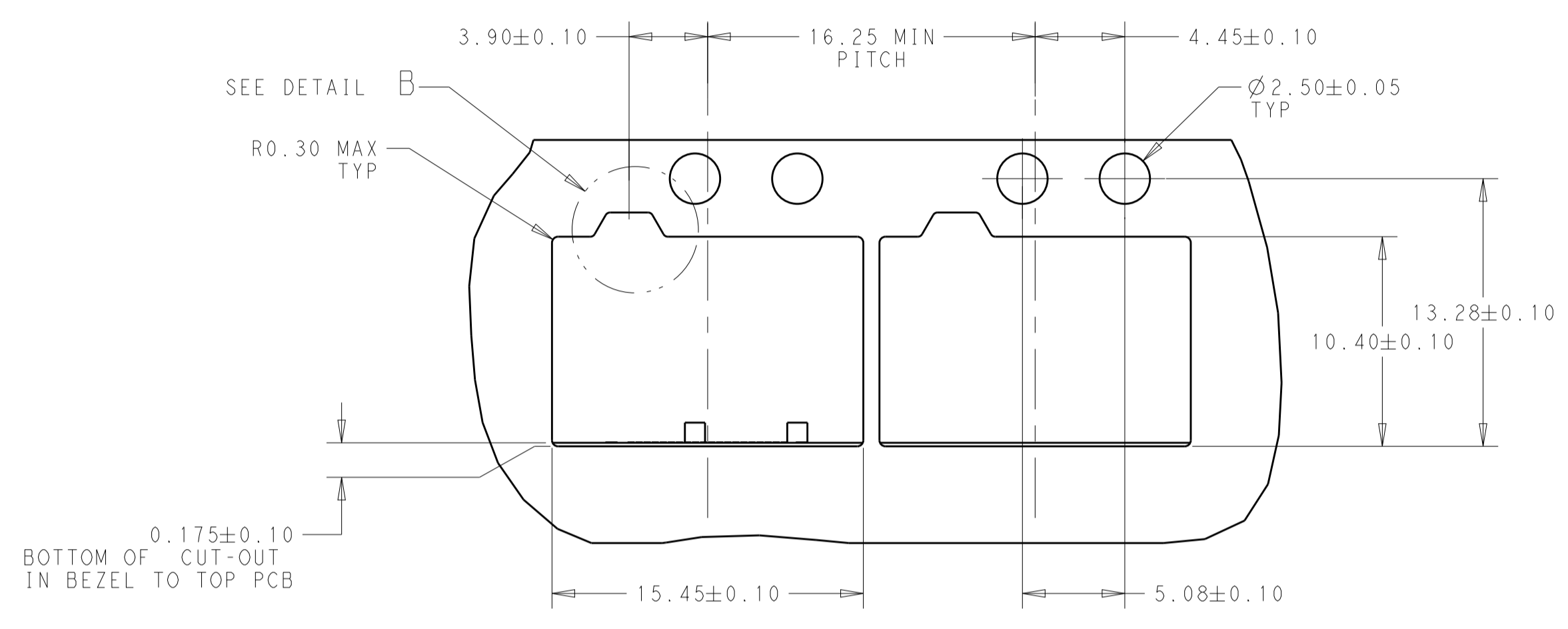
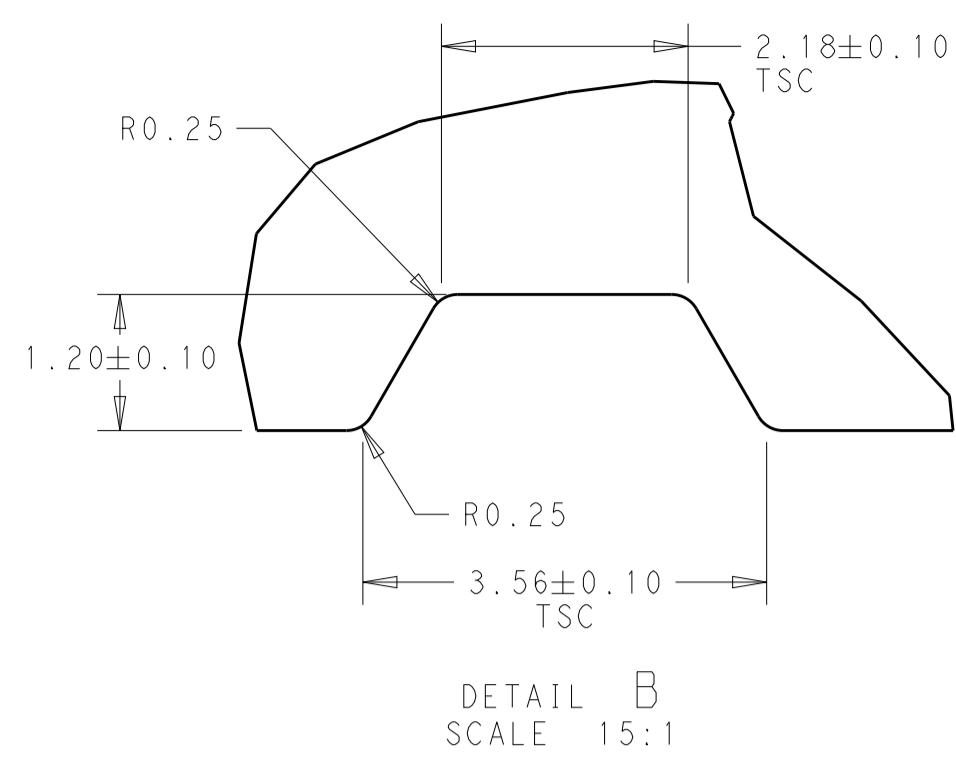
2366031-3 AS SHOWN
 SAME AS -2 EXCEPT WITHOUT LIGHT PIPE
 SCALE 4:1



2366031-3 3D VIEW
 SCALE 3:1

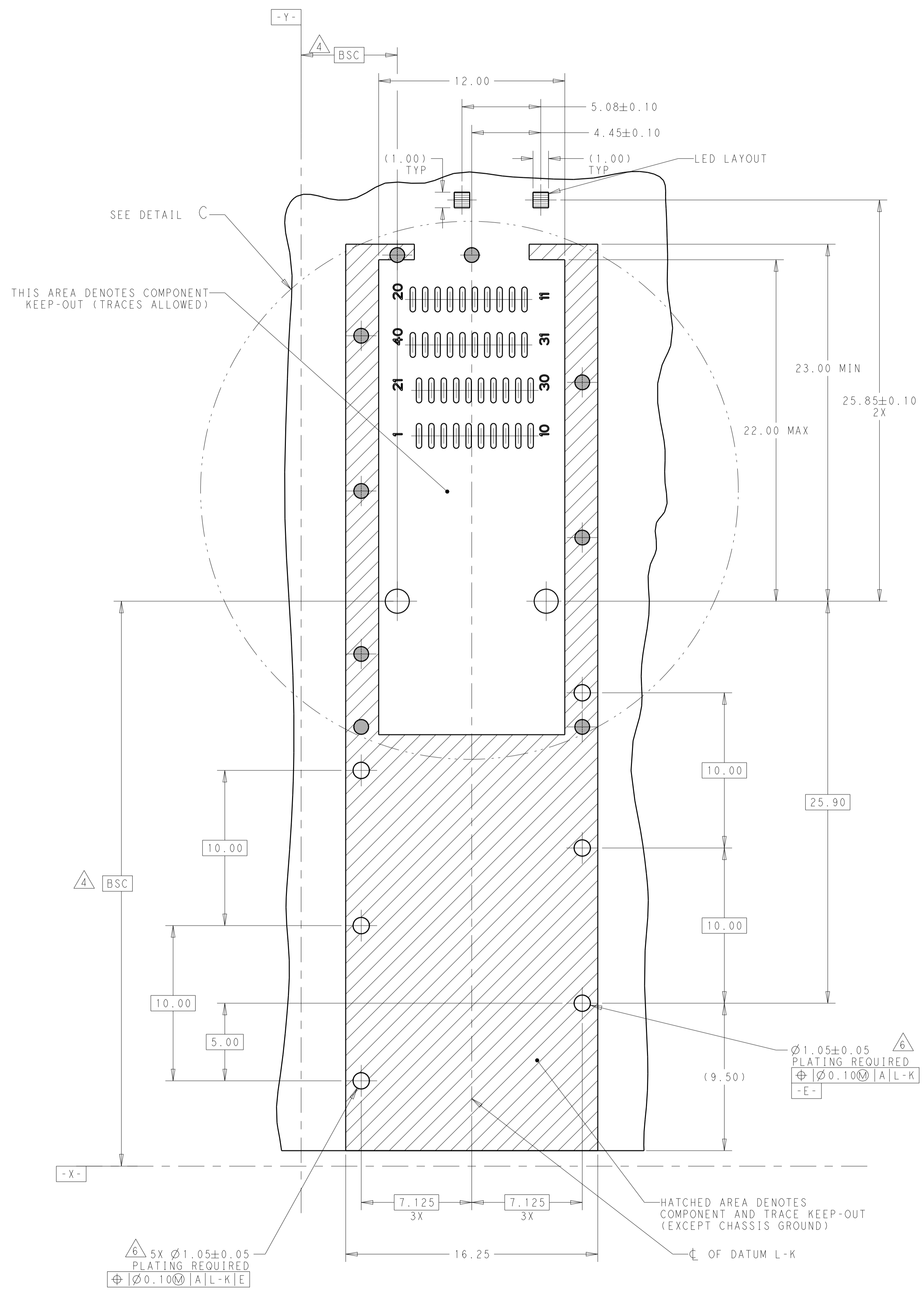
THIS DRAWING IS A CONTROLLED DOCUMENT.		OWN: ARTHUR JIH 22NOV2019	TE Connectivity
		CHK: SEAN HAN 22NOV2019	
DIMENSIONS:		NAME: CAGE ASSEMBLY, SFPDD 1X1 W/ GENERAL HS	
TOLERANCES UNLESS OTHERWISE SPECIFIED:		PRODUCT SPEC: 108-60128	
0 PLC ± 1 PLC ±0.25 2 PLC ±0.20 3 PLC ±0.10 4 PLC ± ANGLES ±		APPLICATION SPEC: 114-60027	
MATERIAL:		SIZE: A100779C=2366031	
FINISH:		WEIGHT: -	
		CUSTOMER DRAWING	
		RESTRICTED TO: -	
		SCALE: 2:1 SHEET 2 OF 5 REV: A1	

REVISIONS				
P.	LTN	DESCRIPTION	DATE	APVD
		SEE SHEET 1		

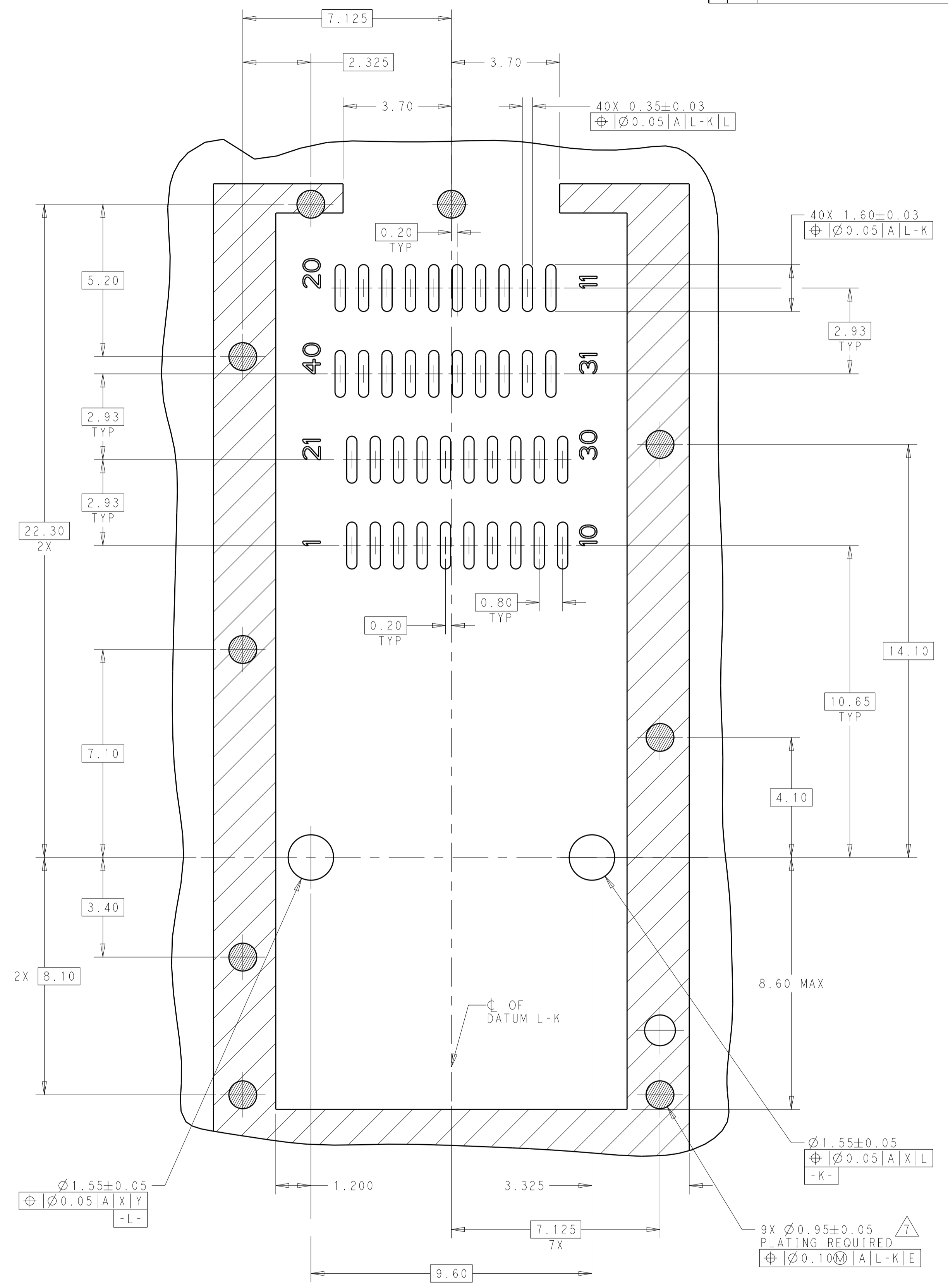


THIS DRAWING IS A CONTROLLED DOCUMENT.		DWN: ARTHUR JLN 22NOV2019	TE Connectivity
DIMENSIONS: mm		CHK: SEAN HAN 22NOV2019	
TOLERANCES UNLESS OTHERWISE SPECIFIED:		APVD:	NAME: CAGE ASSEMBLY, SFPDD 1X1 W/ GENERAL HS
0 PLC	±	PRODUCT SPEC	108-60128
1 PLC	±0.25	APPLICATION SPEC	114-60027
2 PLC	±0.20	SIZE	A100779
3 PLC	±0.10	CAGE CODE	C=2366031
4 PLC	±	DRAWING NO	3
ANGLES	±	RESTRICTED TO	5
FINISH	±	SCALE	2:1
MATERIAL		SHEET	3
		OF	5
		REV	A1
CUSTOMER DRAWING			

REVISIONS				
P.	LTN	DESCRIPTION	DATE	APPD
		SEE SHEET 1		



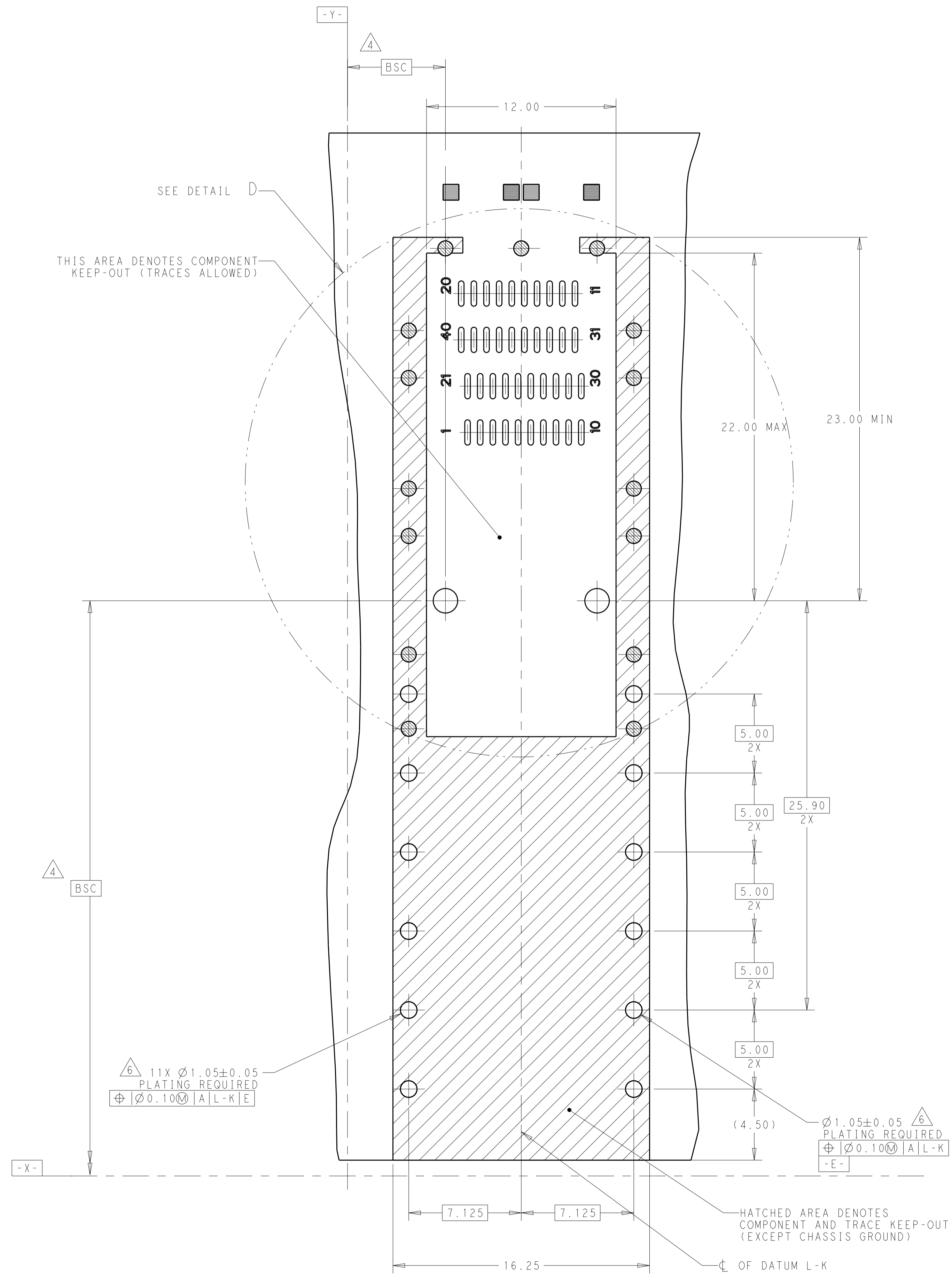
RECOMMENDED PCB LAYOUT
SINGLE TYPE
SCALE 6:1



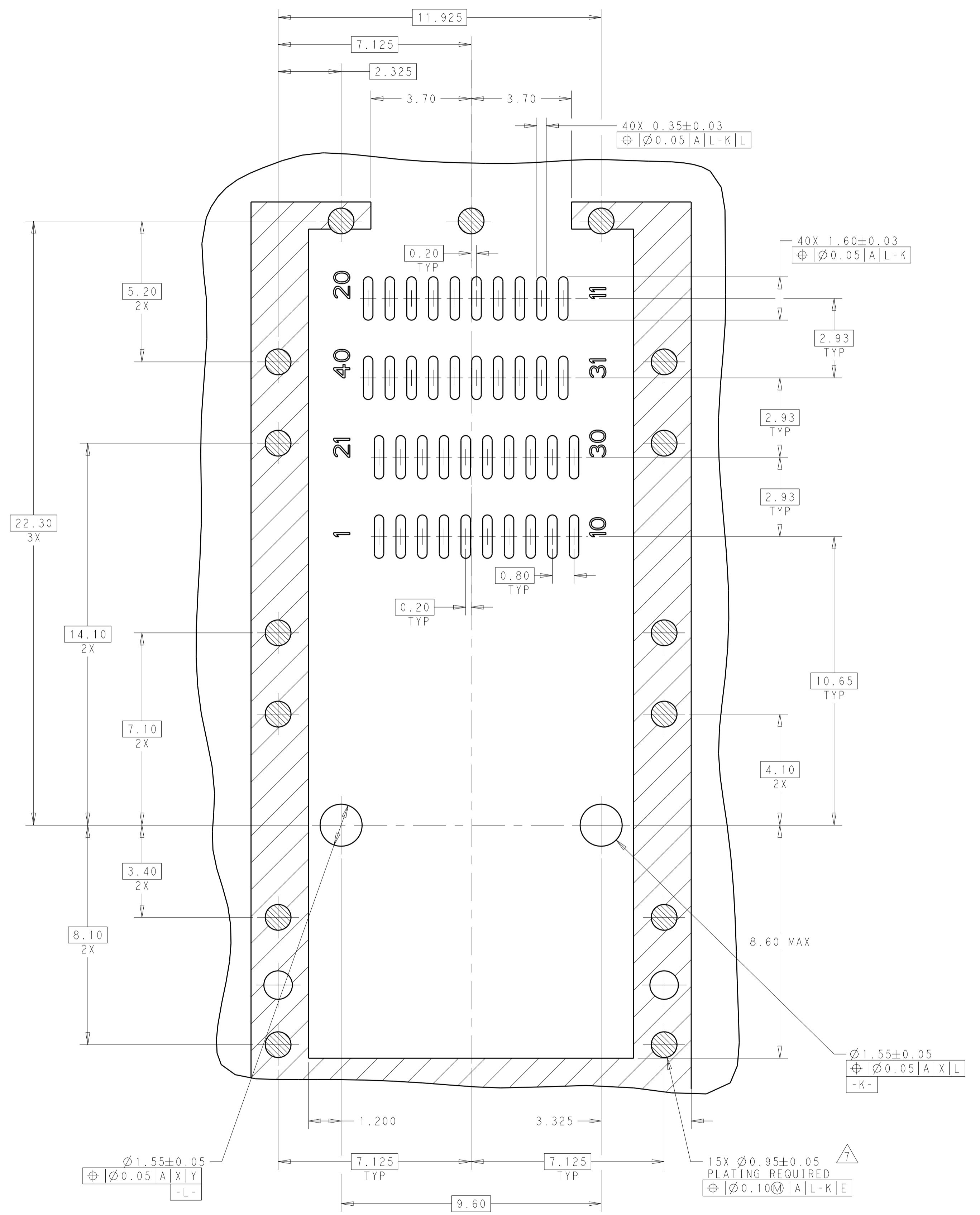
DETAIL C
SCALE 10:1

THIS DRAWING IS A CONTROLLED DOCUMENT.		OWN: ARTHUR JIN 22NOV2019	TE Connectivity
		APP: SEAN HAN 22NOV2019	
DIMENSIONS:	TOLERANCES UNLESS OTHERWISE SPECIFIED:	PRODUCT SPEC	NAME
mm	0 PLC ±0.25	108-60128	CAGE ASSEMBLY, SFPDD 1X1
	2 PLC ±0.20	APPLICATION SPEC	W/ GENERAL HS
	3 PLC ±0.10	114-60027	SIZE CAGE CODE DRAWING NO
	4 PLC ±0.05	WEIGHT	A100779C=2366031
MATERIAL	FINISH	CUSTOMER DRAWING	RESTRICTED TO
		SCALE 2:1	SHEET 4 OF 5 REV A1

REVISIONS				
P.	LTN.	DESCRIPTION	DATE	APVD.
		SEE SHEET 1		



RECOMMENDED PCB LAYOUT
BELLY TO BELLY
SCALE 6:1



DETAIL D
SCALE 10:1

THIS DRAWING IS A CONTROLLED DOCUMENT.		OWN: ARTHUR JIN 22NOV2019	TE Connectivity
DIMENSIONS: mm		CHK: SEAN HAN 22NOV2019	
TOLERANCES UNLESS OTHERWISE SPECIFIED:		APVD:	NAME: CAGE ASSEMBLY, SFPDD 1X1 W/ GENERAL HS
0 PLC ±:	±0.25	PRODUCT SPEC:	108-60128
1 PLC ±:	±0.20	APPLICATION SPEC:	114-60027
2 PLC ±:	±0.10	SIZE: CAGE CODE DRAWING NO:	A100779
3 PLC ±:	±:	RESTRICTED TO:	
4 PLC ±:	±:	WEIGHT:	SCALE 2:1 SHEET 5 OF 5 REV A1
ANGLES ±:	±:	CUSTOMER DRAWING:	

X-ON Electronics

Largest Supplier of Electrical and Electronic Components

Click to view similar products for [I/O Connectors](#) category:

Click to view products by [TE Connectivity](#) manufacturer:

Other Similar products are found below :

[571763P](#) [D20419-211](#) [72.250.1628.2](#) [72.250.2428.2](#) [74720-0505](#) [76.350.0729.0](#) [76871-1403](#) [FCN-244F080-G/1](#) [FCN-260A9920](#) [MP-5T180MUNNA-005](#) [PCR-E36PM](#) [PCS-XE26MA+](#) [G38A71314B](#) [1571250010](#) [157-22500-3](#) [MS3471L14-19P L/C](#) [172501-4002](#) [172501-6002](#) [FCN-260C008-A/L0](#) [FCN-260C024-AL0](#) [FCN-261Z008](#) [2000314-1](#) [200331-1](#) [PCR-E36FC+](#) [PCS-E28FS+](#) [PCS-XE26SLFD+](#) [PCS-XE26SLFDT+](#) [G730VID08BDC24](#) [HDMR-29-01-S-SM-TR](#) [U90B2054081210](#) [UE86K842720321](#) [38113800006](#) [DP3AR020WQ1R200](#) [Z4.102.0680.0](#) [500-1040](#) [500-1052](#) [500-1054](#) [ZP-4008-66L](#) [0709821002](#) [5554841-1](#) [U90B3054061110](#) [U65-E04-4020](#) [ZPF00000000097891](#) [557-262M2-06C](#) [747360449](#) [10099439-003C-TRLF](#) [10137239-0021LF](#) [E9320-001-01](#) [10137239-0011LF](#) [70289-001LF](#)