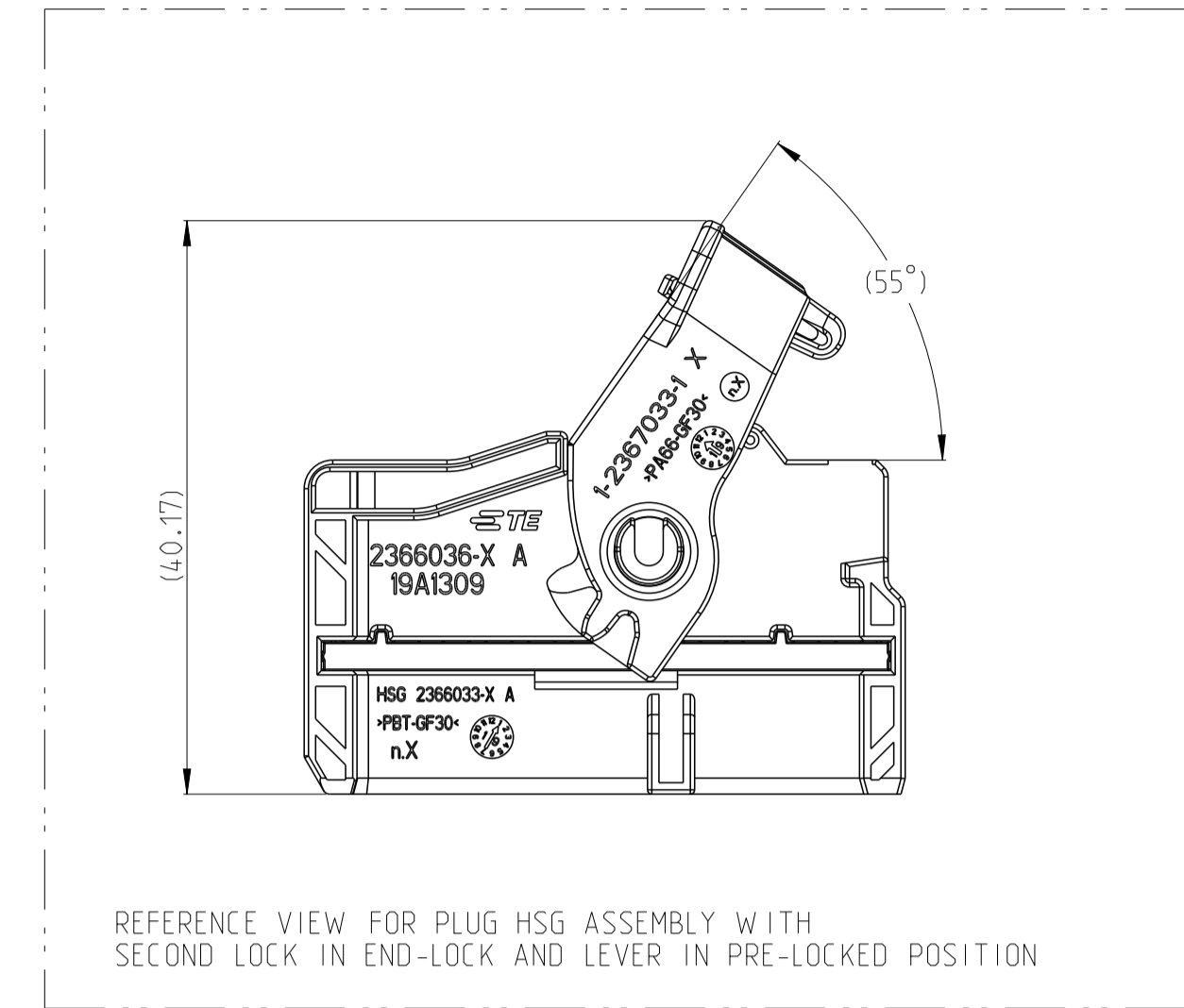
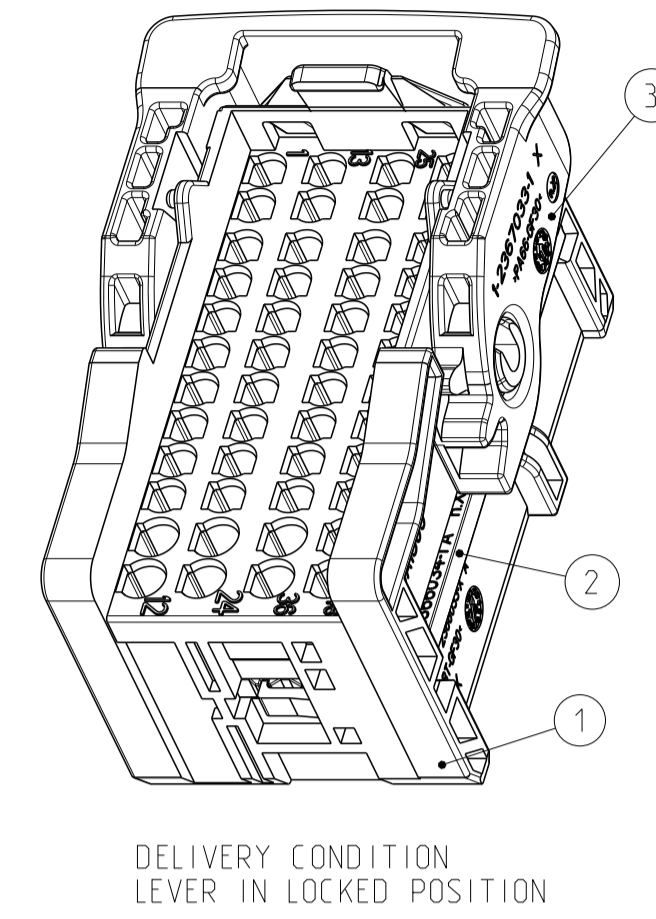
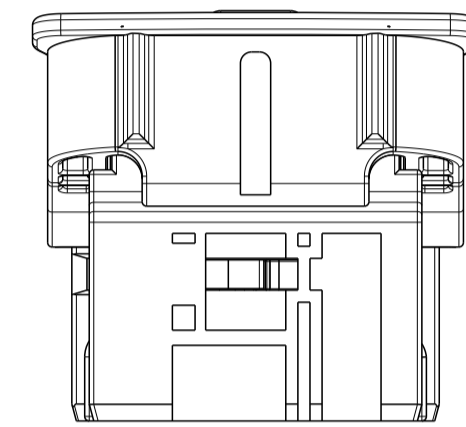
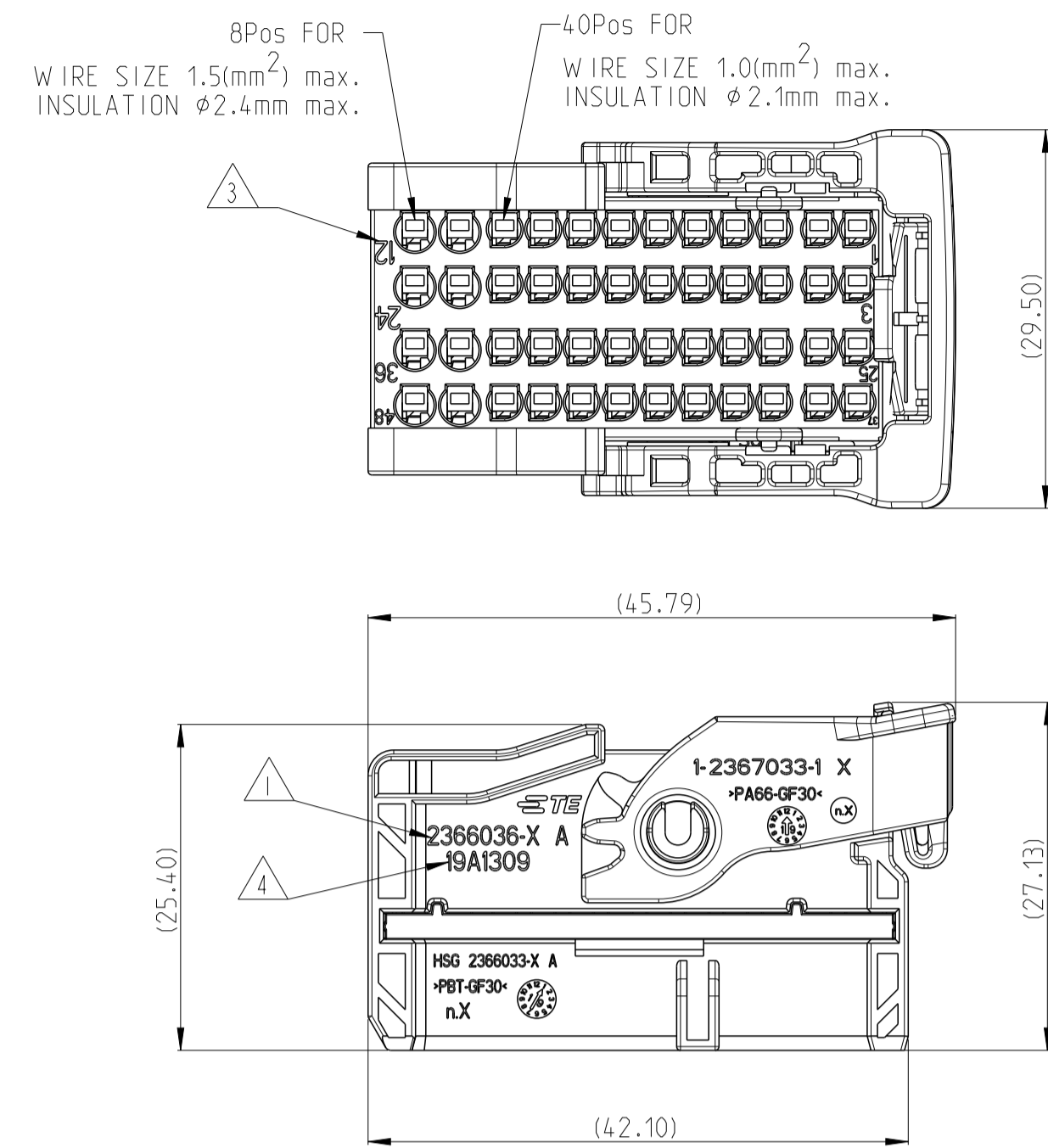


2366036-1 SHOWN AS



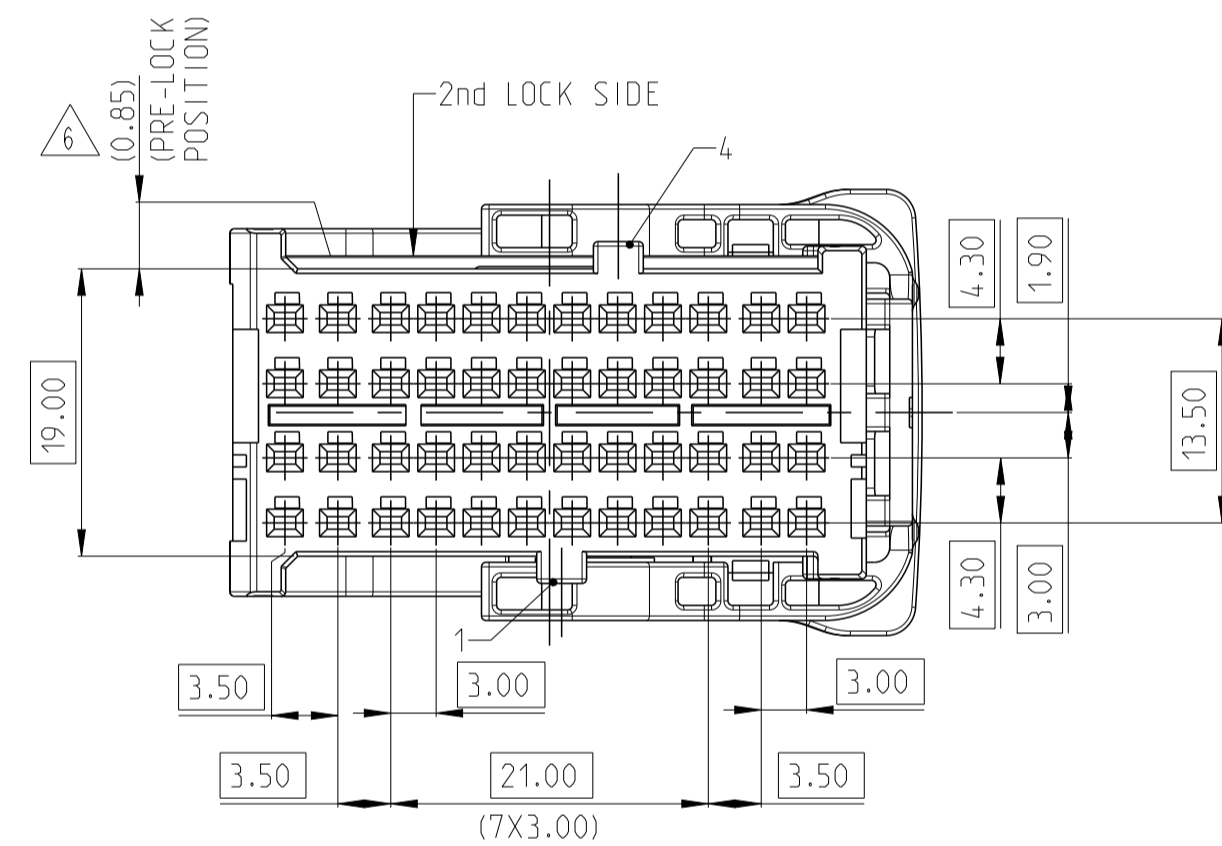
REVISIONS				
P	LTN	DESCRIPTION	DATE	APP'D
A		INITIAL RELEASE DRAWING	15JAN2020	S.ZH I.Y
A1		REVISE	15JAN2021	S.Z I.Y
B		REVISED PER PCN E-21-004518	16APR2021	S.Z Z.Z

NOTES:

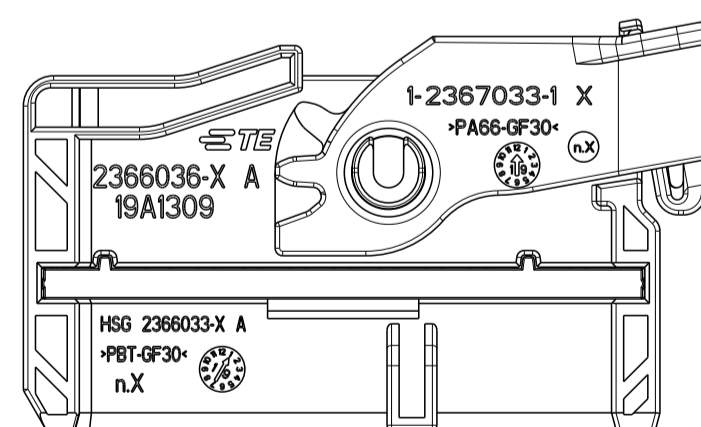
- ASSEMBLY PN AND PART REVISION:
2366036-X A
X: X=1, 2, 3, 4 FOR VARIOUS CODE.
A: PART REVISION. DETAIL SEE TABLE ON THE DRAWING SHEET 1.
- MATERIAL: SEE TABLE ON THE DRAWING SHEET 1.
- IDENTIFICATION FOR CABLE PINOUT.
- THE ASSEMBLY DATE CODE: IDENTIFIES THE YEAR, MONTH, DAY AND HOUR OF ASSEMBLY.
SUCH AS :19A1309
19: YEAR, FIRST AND SECOND DIGITS (19=2019)
A: MONTH, THIRD DIGIT, EXCLUDING "1". A=JAN, B=FEB, C=MARCH...H=AUGUST, J=SEPTEMBER...
13: DAY, FOURTH AND FIFTH DIGITS(13=13th DAY)
09: HOUR, SIXTH AND SEVENTH DIGITS(09=09AM)
- INSTALL LEVER AND SECOND LOCK ONTO HOUSING AS SHOWN.
- VERIFY THE SECOND LOCK SEATED ON PRE-LOCK POSITION FOR DELIVERY.
PULL SECOND LOCK TO PRE-LOCK BEFORE TERMINAL INSERTION IN CASE OF SECOND LOCK BEING HIT TO END-LOCK POSITION.
- APPLICABLE TERMINAL PART NUMBERS AND WIRE SIZE SHOWN AS BELOW FOR RECOMMEND.
CONSULT TE CONNECTIVITY FOR MORE APPLICATION INFORMATION.

TERMINAL PN	TERMINAL PLATING	WIRE SIZE (MM ²)	INSULATION WIRES OD (MM)
7-1452656-1	TIN	0.75	Ø 1.40-Ø 1.90
7-1452659-1	TIN	1.0-1.5	Ø 1.90-Ø 2.40

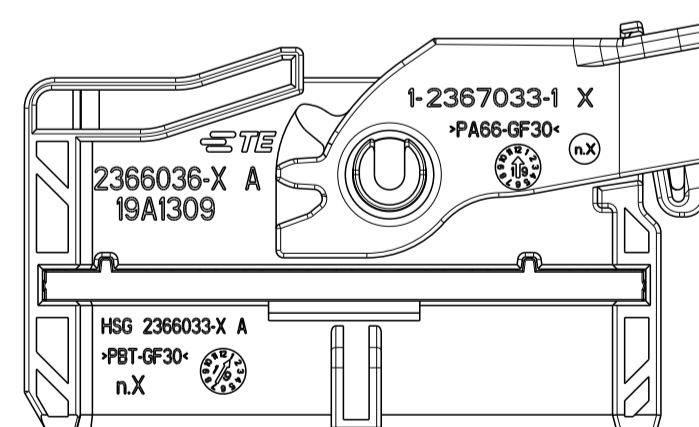
8. THIS PLUG MATES WITH TAB 2366066-X. (X=1, 2, 3, 4 FOR VARIOUS CODE).



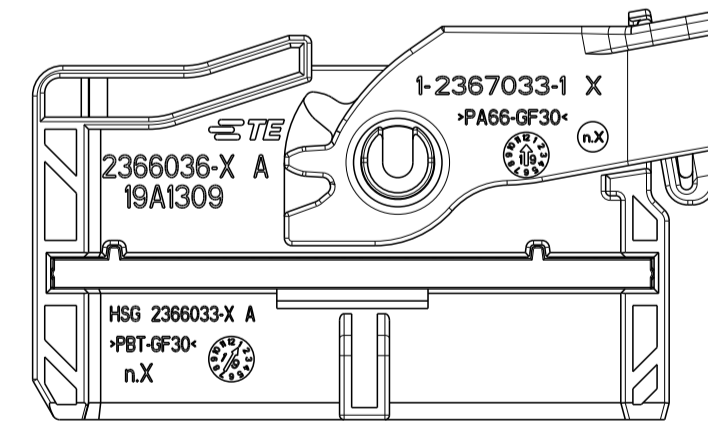
CODING A
2366036-1



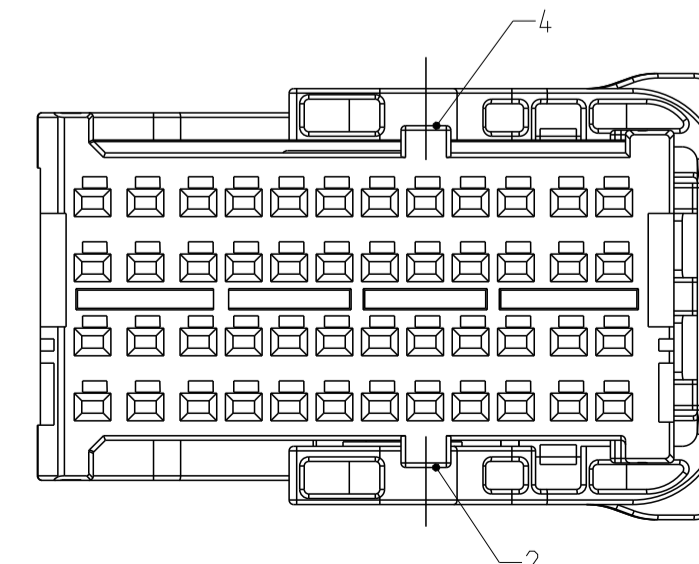
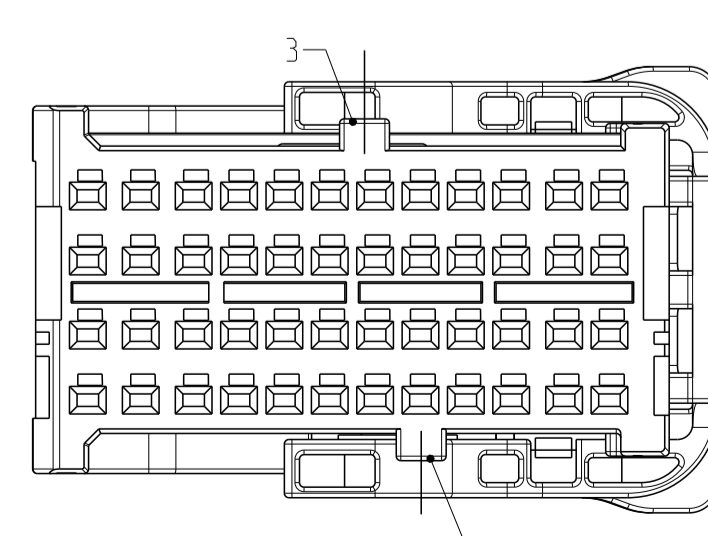
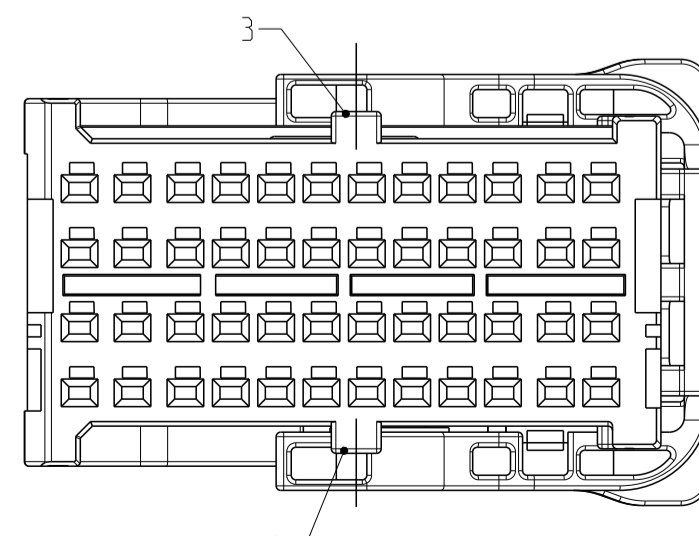
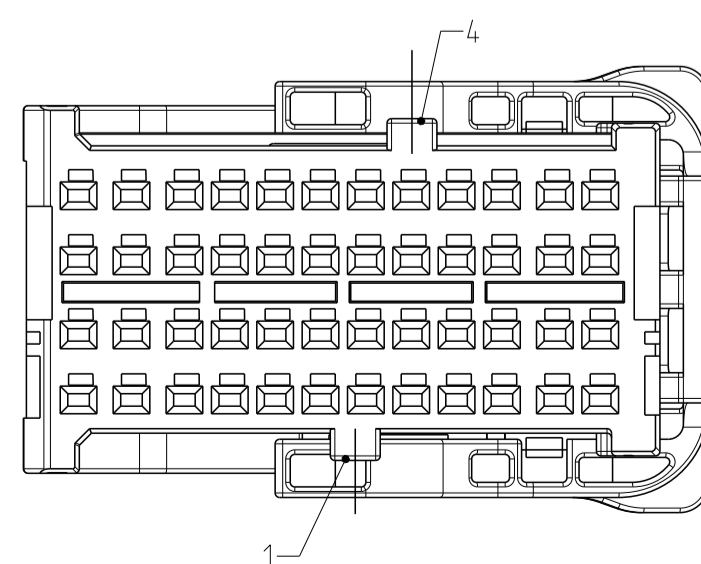
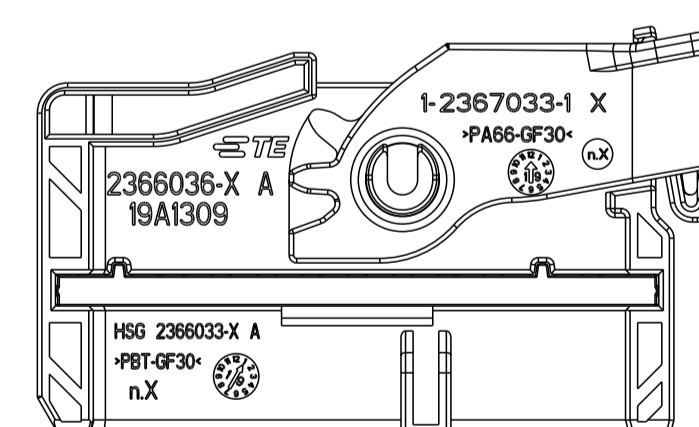
CODING B
2366036-2



CODING C
2366036-3



CODING D
2366036-4



QTY	1	2	3	4	DESCRIPTION	PART NO.	MATERIAL	COLOUR	ITEM NO
1	1	1	1	1	LEVER	PA66-GF30		YELLOW	3
1	1	1	1	1	SECOND LOCK	PBT-GF30		YELLOW	2
1					HOUSING, CODE D	PBT-GF30		BLUE	1
	1				HOUSING, CODE C	PBT-GF30		GREEN	
		1			HOUSING, CODE B	PBT-GF30		GRAY	
			1		HOUSING, CODE A	PBT-GF30		BLACK	
-4	-3	-2	-1		PART NO	MATERIAL		COLOUR	ITEM NO

QTY REQD PER ASSY		PARTS LIST	
THIS DRAWING IS A CONTROLLED DOCUMENT.			
DWG: S.ZHANG 03JAN2020		CHK: E.JIANG 03JAN2020	
APVD: L.Y.LIN 03JAN2020		NAME: 48POS. MCON 1.2LL, PLUG HSG ASSY UNSEALED, CONNECTOR	
DIMENSIONS: mm		TOLERANCES UNLESS OTHERWISE SPECIFIED:	
0 PLC ±0.5		1 PLC ±0.3	
2 PLC ±0.20		3 PLC ±0.100	
4 PLC ±0.0500		ANGLES ±0.0500	
FINISH: -		WEIGHT: -	
MATERIAL: -		RESTRICTED CUSTOMER	
SCALE: 2:1		SHEET 1 OF 1	
REV: B		CAGE CODE: 00779	
DRAWING NO: 116-32365		DRAWING NO: 116-32365	
CAGE CODE: 00779		DRAWING NO: 116-32365	
DRAWING NO: 116-32365		DRAWING NO: 116-32365	
DRAWING NO: 116-32365		DRAWING NO: 116-32365	

X-ON Electronics

Largest Supplier of Electrical and Electronic Components

Click to view similar products for [Automotive Connectors](#) category:

Click to view products by [TE Connectivity](#) manufacturer:

Other Similar products are found below :

[003-018-000](#) [60993906-B](#) [72.330.1035.1](#) [776880-1](#) [827153-1](#) [9-1326729-8](#) [9-221607-5](#) [925474-1](#) [928905-1](#) [964562-4](#) [968782-1](#) [98891-1012](#) [12004468](#) [12004475-L](#) [12004483](#) [12052466](#) [12066163](#) [12015909](#) [12077753](#) [1-21030-1](#) [12047957](#) [12047958](#) [12084688](#) [12185550](#) [12336-12](#) [1-326211-1](#) [13681974](#) [13688972](#) [13755420](#) [13779834](#) [13783086](#) [13843152](#) [13522378](#) [13581967](#) [13669624](#) [13675513](#) [13753471](#) [13946876](#) [13953457](#) [13955963](#) [13964573](#) [13971791](#) [13790534-L](#) [13797473](#) [13805590](#) [13888202](#) [1428188-1](#) [1437287-3](#) [1428188-2](#) [DS07-19S-5020](#)