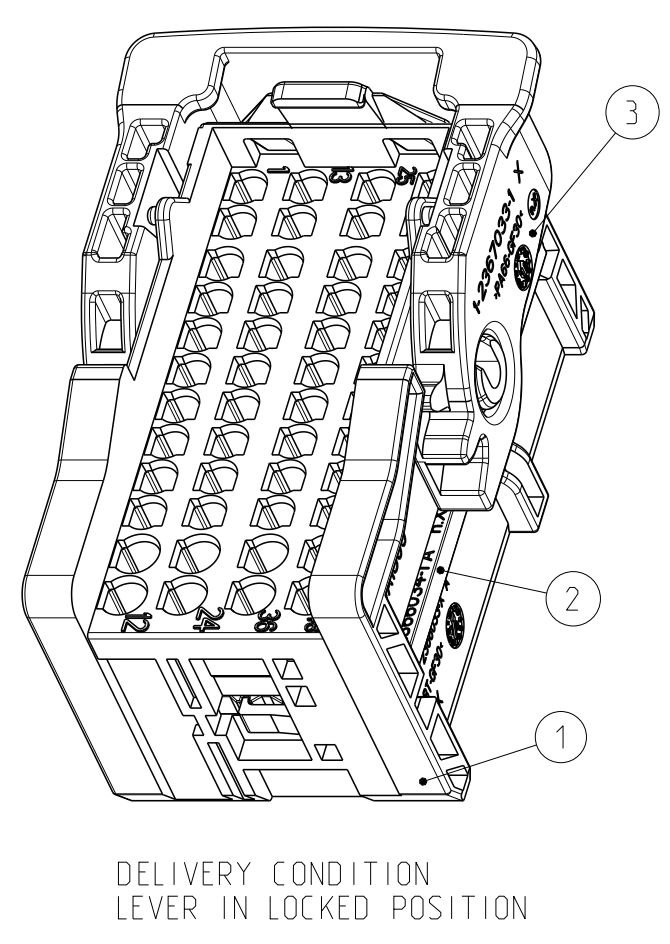
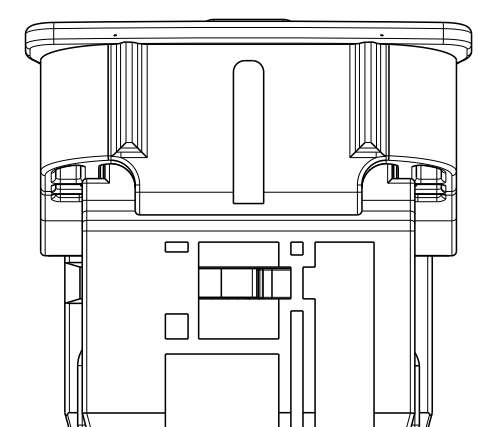
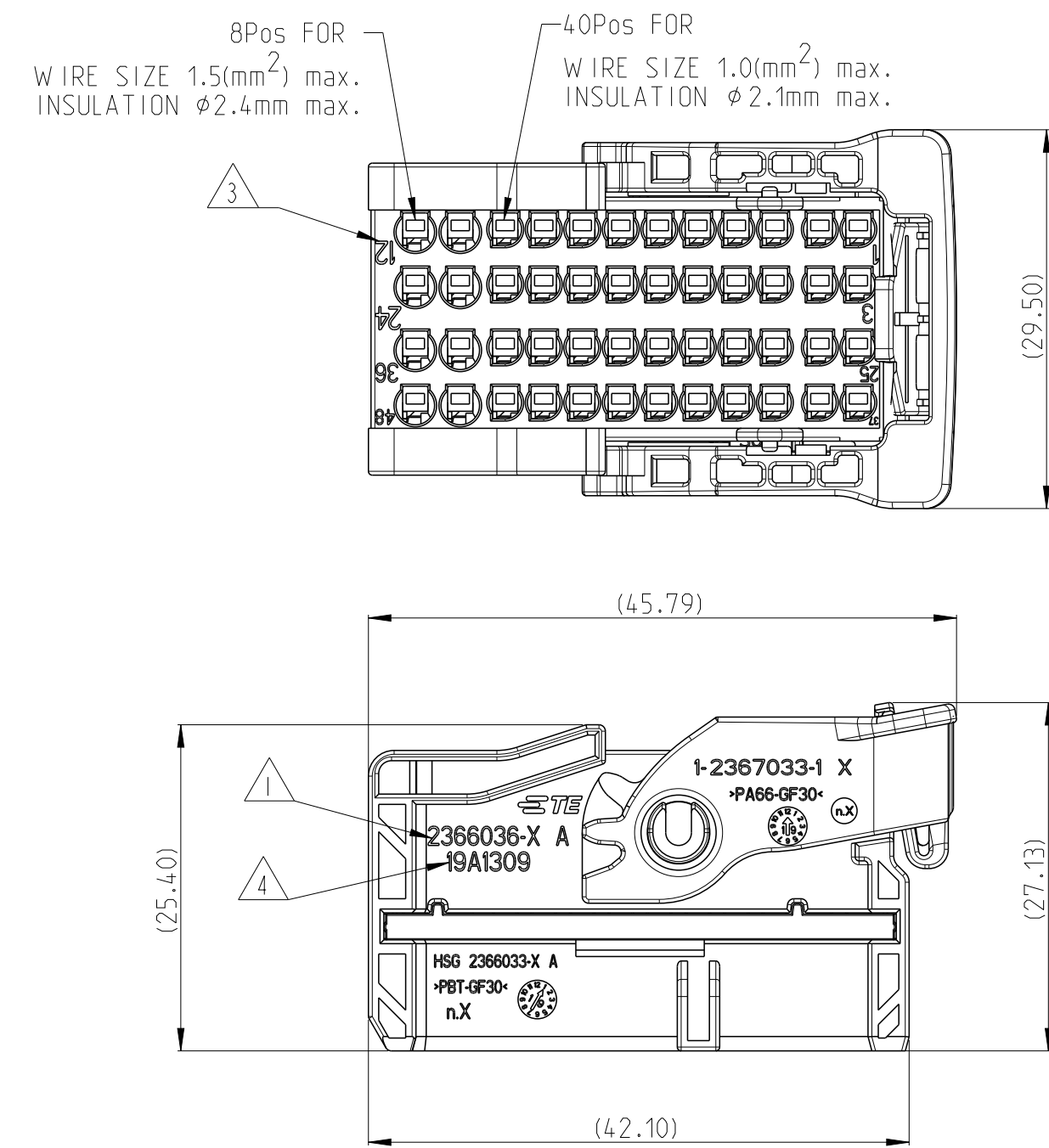
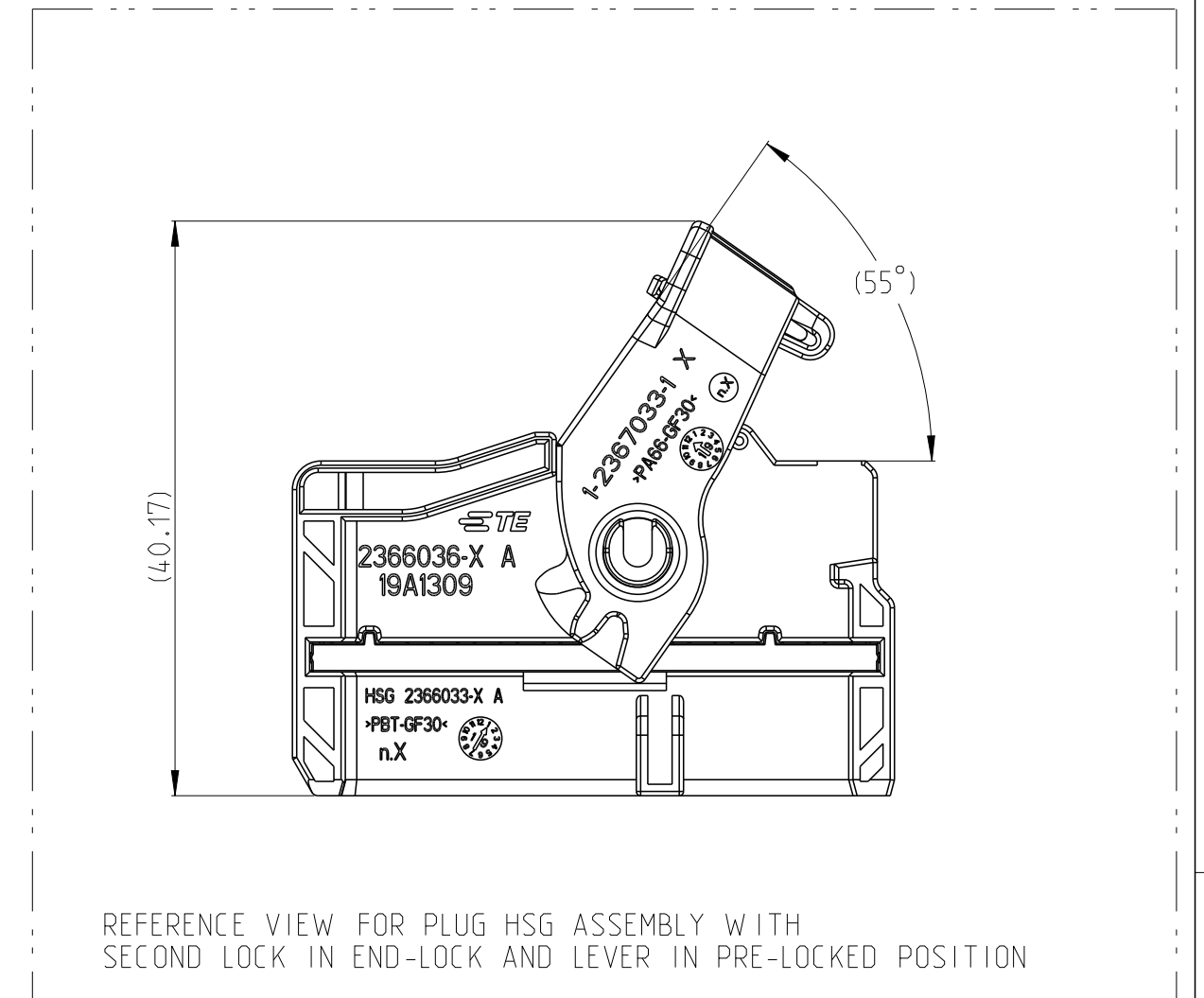


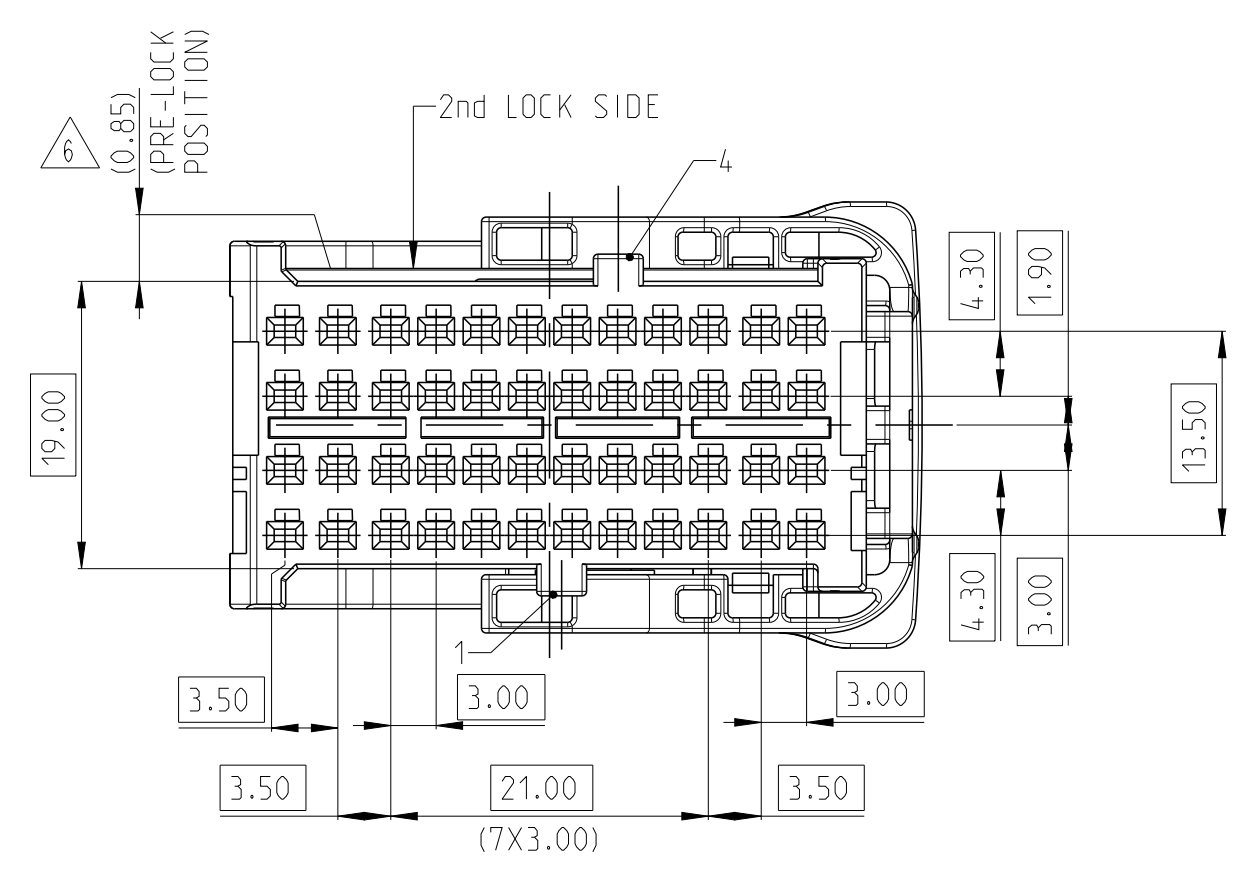
2366036-1 SHOWN AS



DELIVERY CONDITION
LEVER IN LOCKED POSITION



REFERENCE VIEW FOR PLUG HSG ASSEMBLY WITH
SECOND LOCK IN END-LOCK AND LEVER IN PRE-LOCKED POSITION



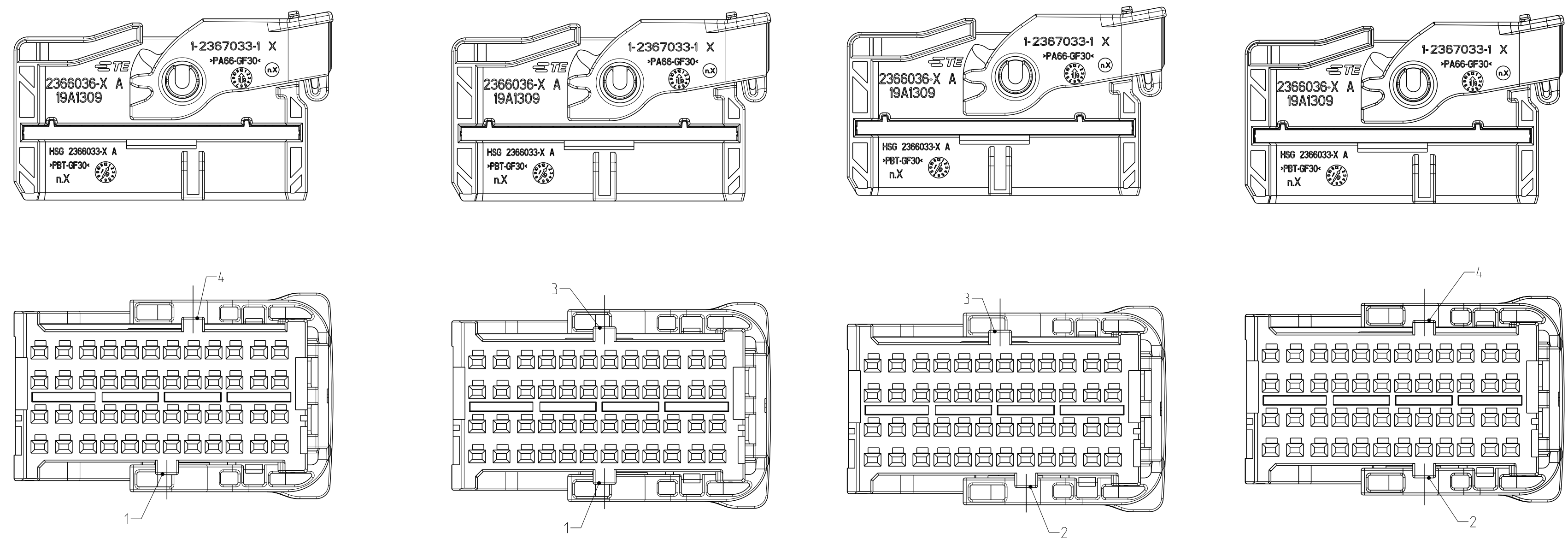
NOTES:

- 1 ASSEMBLY PN AND PART REVISION:
2366036-X A
X: X=1, 2, 3, 4 FOR VARIOUS CODE.
A: PART REVISION. DETAIL SEE TABLE ON THE DRAWING SHEET 1.
2. MATERIAL: SEE TABLE ON THE DRAWING SHEET 1.
- 3 IDENTIFICATION FOR CABLE PINOUT.
- 4 THE ASSEMBLY DATE CODE: IDENTIFIES THE YEAR, MONTH, DAY AND HOUR OF ASSEMBLY.
SUCH AS :19A1309
19: YEAR, FIRST AND SECOND DIGITS (19=2019)
A: MONTH, THIRD DIGIT, EXCLUDING "1". A=JAN, B=FEB, C=MARCH...H=AUGUST, J=SEPTEMBER...
13: DAY, FOURTH AND FIFTH DIGITS(13=13th DAY)
09: HOUR, SIXTH AND SEVENTH DIGITS(09=09AM)
5. INSTALL LEVER AND SECOND LOCK ONTO HOUSING AS SHOWN.
6. VERIFY THE SECOND LOCK SEATED ON PRE-LOCK POSITION FOR DELIVERY.
PULL SECOND LOCK TO PRE-LOCK BEFORE TERMINAL INSERTION IN CASE OF SECOND LOCK BEING HIT TO END-LOCK POSITION.
7. APPLICABLE TERMINAL PART NUMBERS AND WIRE SIZE SHOWN AS BELOW FOR RECOMMEND.
CONSULT TE CONNECTIVITY FOR MORE APPLICATION INFORMATION.

TERMINAL PN	TERMINAL PLATING	WIRE SIZE (MM ²)	INSULATION WIRES OD (MM)
7-1452656-1	TIN	0.75	φ 1.40~φ 1.90
7-1452659-1	TIN	1.0~1.5	φ 1.90~φ 2.40

8. THIS PLUG MATES WITH TAB 2366066-X. (X=1, 2, 3, 4 FOR VARIOUS CODE).

CODING A 2366036-1 CODING B 2366036-2 CODING C 2366036-3 CODING D 2366036-4



QTY	1	1	1	1	DESCRIPTION	PART NO.	MATERIAL	COLOUR	ITEM NO.
	1	1	1	1	LEVER	PA66-GF30	YELLOW		3
	1	1	1	1	SECOND LOCK	PBT-GF30	YELLOW		2
	1				HOUSING, CODE D	PBT-GF30	BLUE		1
		1			HOUSING, CODE C	PBT-GF30	GREEN		
			1		HOUSING, CODE B	PBT-GF30	GRAY		
				1	HOUSING, CODE A	PBT-GF30	BLACK		
-4	-3	-2	-1		PART NO	MATERIAL	COLOUR		ITEM NO
CODING									
B	B	B	B		REVISION OF EACH ASSY NO (WHEN BLANK, USE DWG REVISION)				
19.41	19.41	19.41	19.41		WEIGHT OF EACH ASSY NO. [g]				
QTY REQD PER ASSY					PARTS LIST				

THIS DRAWING IS A CONTROLLED DOCUMENT. DWN: S.ZHANG 03JAN2020
CHK: E.JIANG 03JAN2020
APVD: L.Y.LIN 03JAN2020

TE Connectivity

NAME: 48POS. MCON 1.2LL, PLUG HSG ASSY UNSEALED, CONNECTOR
PRODUCT SPEC: 108-32618
APPLICATION SPEC: 116-32365

SIZE: A1 | CAGE CODE: 00779 | DRAWING NO: 2366036
RESTRICTED TO: RESTRICTED CUSTOMER

SCALE: 2:1 | SHEET: 1 OF 1 | REV: B

X-ON Electronics

Largest Supplier of Electrical and Electronic Components

Click to view similar products for [Automotive Connectors](#) category:

Click to view products by [TE Connectivity](#) manufacturer:

Other Similar products are found below :

[003-018-000](#) [60993906-B](#) [72.330.1035.1](#) [776880-1](#) [827153-1](#) [9-1326729-8](#) [9-221607-5](#) [925474-1](#) [928905-1](#) [964562-4](#) [968782-1](#) [98891-1012](#) [12004468](#) [12004475-L](#) [12004483](#) [12052466](#) [12066163](#) [12015909](#) [12077753](#) [1-21030-1](#) [12047957](#) [12047958](#) [12084688](#) [12185550](#) [12336-12](#) [1-326211-1](#) [13681974](#) [13688972](#) [13755420](#) [13779834](#) [13783086](#) [13843152](#) [13522378](#) [13581967](#) [13669624](#) [13675513](#) [13753471](#) [13946876](#) [13953457](#) [13955963](#) [13964573](#) [13971791](#) [13790534-L](#) [13797473](#) [13805590](#) [13888202](#) [1428188-1](#) [1437287-3](#) [1428188-2](#) [DS07-19S-5020](#)