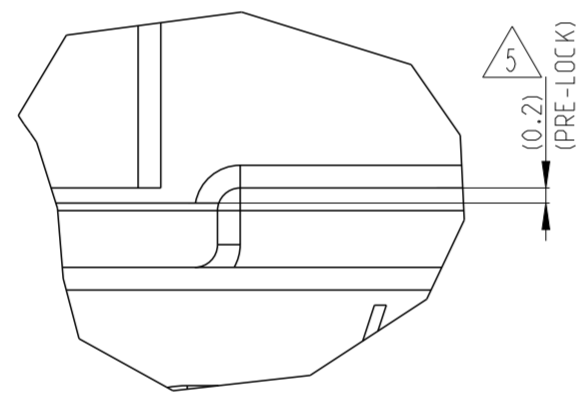
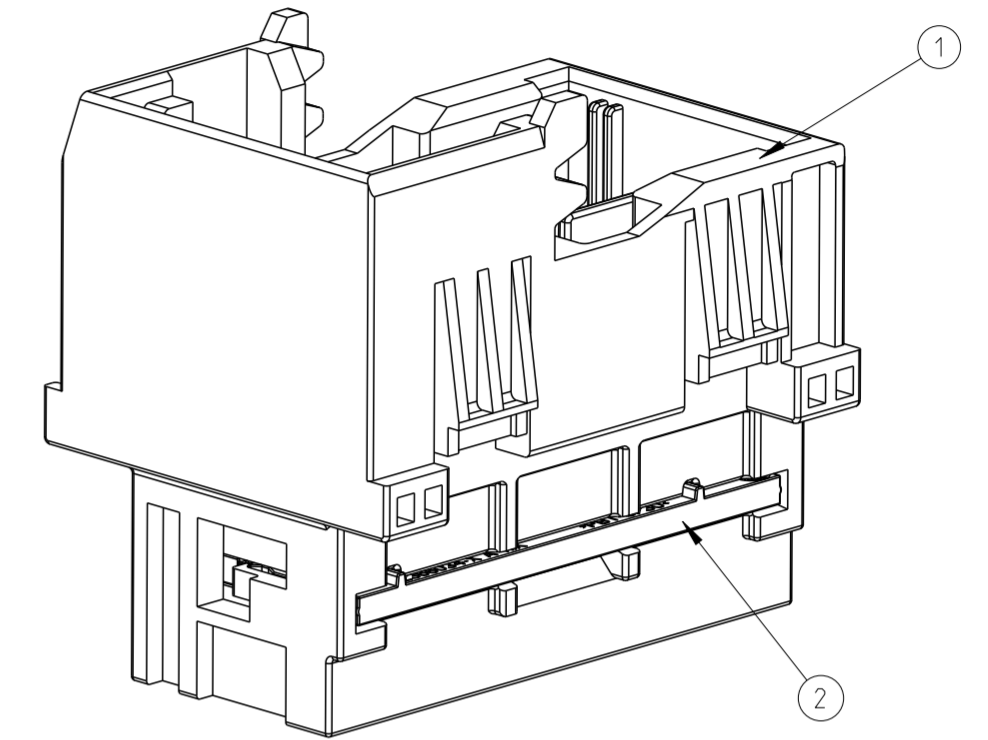
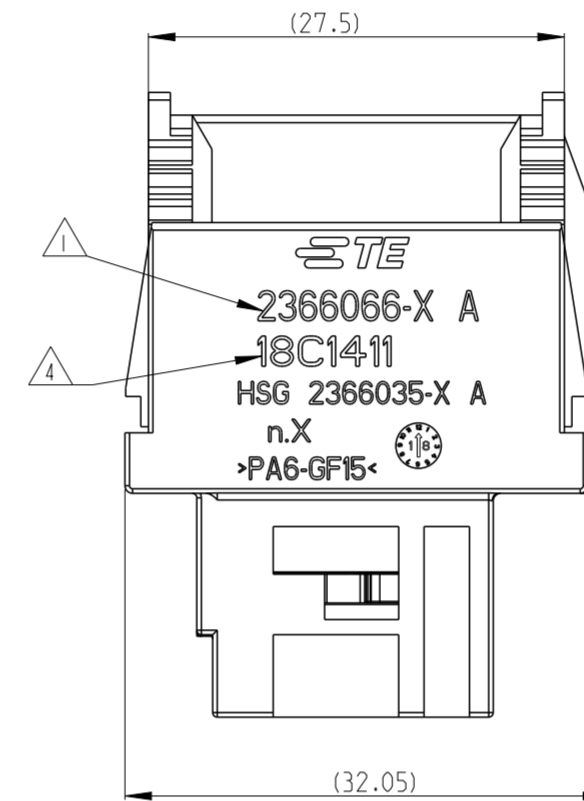
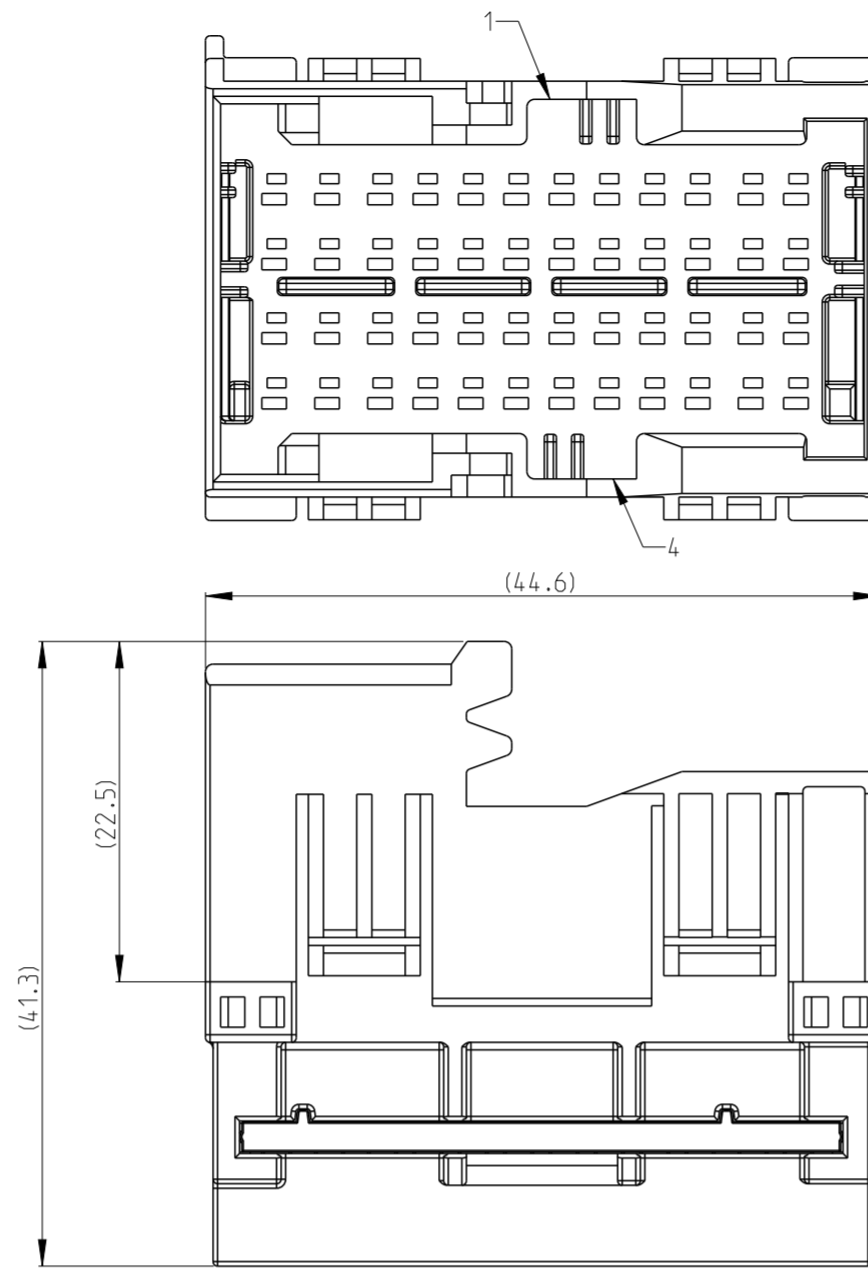
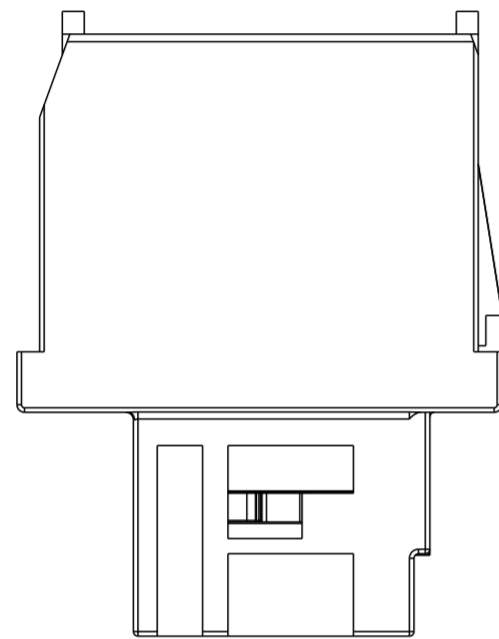


2366066-1 SHOWN AS

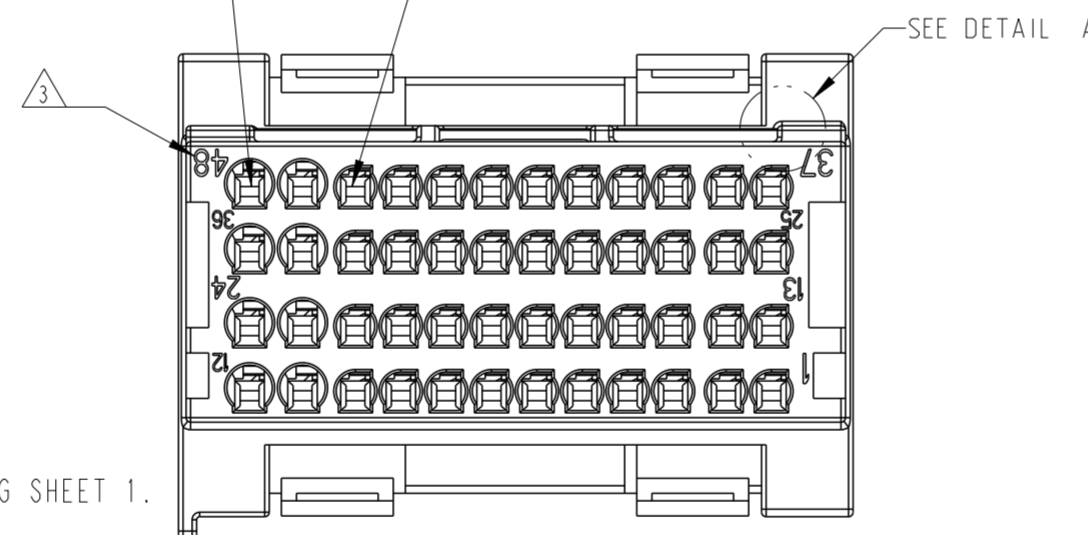
REVISIONS					
P	LTR	DESCRIPTION	DATE	DWN	APVD
A		INITIAL RELEASE DRAWING	15JAN2020	V.T	I.Y
A1		REVISE	15JAN2021	S.Z	I.Y
B		REVISED PER PCN -E-21-004518	16APR2021	S.Z	Z.Z
B1		REVISE ECN-22-186969	28NOV2022	W.W	Z.Z



DETAIL A
SCALE 10:1

8Pos FOR
WIRE SIZE 1.5(mm²) max.
INSULATION Ø2.4 mm max.

40Pos FOR
WIRE SIZE 1.0(mm²) max.
INSULATION Ø2.1 mm max.



NOTES:

- 1 ASSEMBLY PN AND PART REVISION:
2366066-X A
X: X=1, 2, 3, 4 FOR VARIOUS CODE.
A: PART REVISION, DETAIL SEE TABLE ON THE DRAWING SHEET 1.
2. MATERIAL: SEE DRAWING TABLE
- 3 IDENTIFICATION FOR CABLE PINOUT.
- 4 THE ASSEMBLY DATE CODE: IDENTIFIES THE YEAR, MONTH, DAY AND HOUR OF ASSEMBLY.
SUCH AS :18C1411
18: YEAR, FIRST AND SECOND DIGITS (18=2018)
C: MONTH, THIRD DIGIT, EXCLUDING "1", A=JAN, B=FEB, C=MARCH...H=AUGUST, J=SEPTEMBER...
14: DAY, FOURTH AND FIFTH DIGITS(14=14th DAY)
11: HOUR, SIXTH AND SEVENTH DIGITS(11=11AM)
- 5 VERIFY THE SECOND LOCK SEATED ON PRE-LOCK POSITION FOR DELIVERY.
PULL SECOND LOCK TO PRE-LOCK BEFORE TERMINAL INSERTION IN CASE OF SECOND LOCK BEING HIT TO END-LOCK POSITION.
6. APPLICABLE TERMINAL PART NUMBERS AND WIRE SIZE SHOWN AS BELOW FOR RECOMMEND,
CONSULT TE CONNECTIVITY FOR MORE APPLICATION INFORMATION.

B1

1418760-1	TIN	0.50-0.75	Ø1.40-Ø1.90
5-1418760-1	TIN	0.50-0.75	Ø1.40-Ø1.90
1418762-1	TIN	1.0-1.5	Ø1.90-Ø2.40
TERMINAL PN	TERMINAL PLATING	WIRE SIZE (MM2)	INSULATION WIRES OD(MM)

7. THIS TAB MATES WITH 2366036-X PLUG (X=1, 2, 3, 4 FOR RELEVANT CODE).

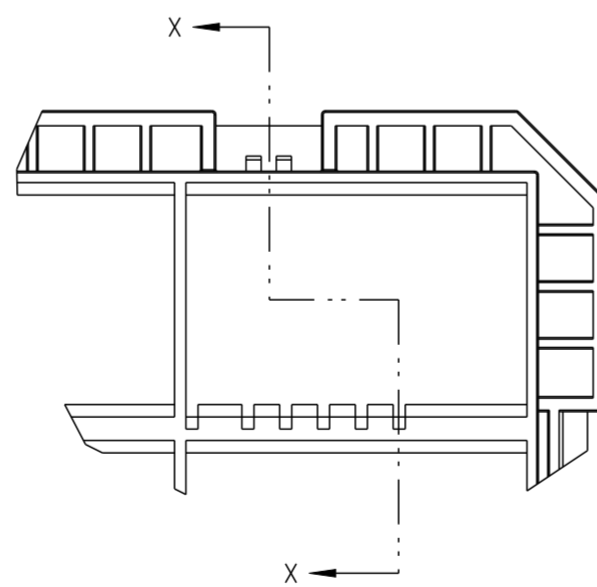
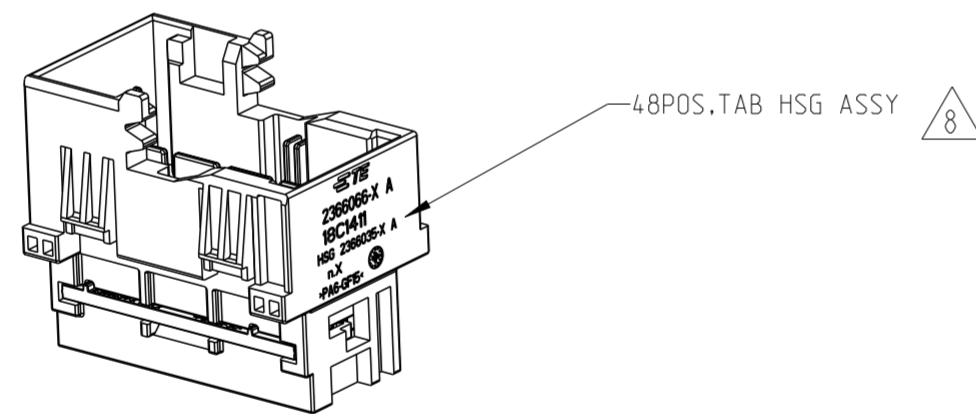
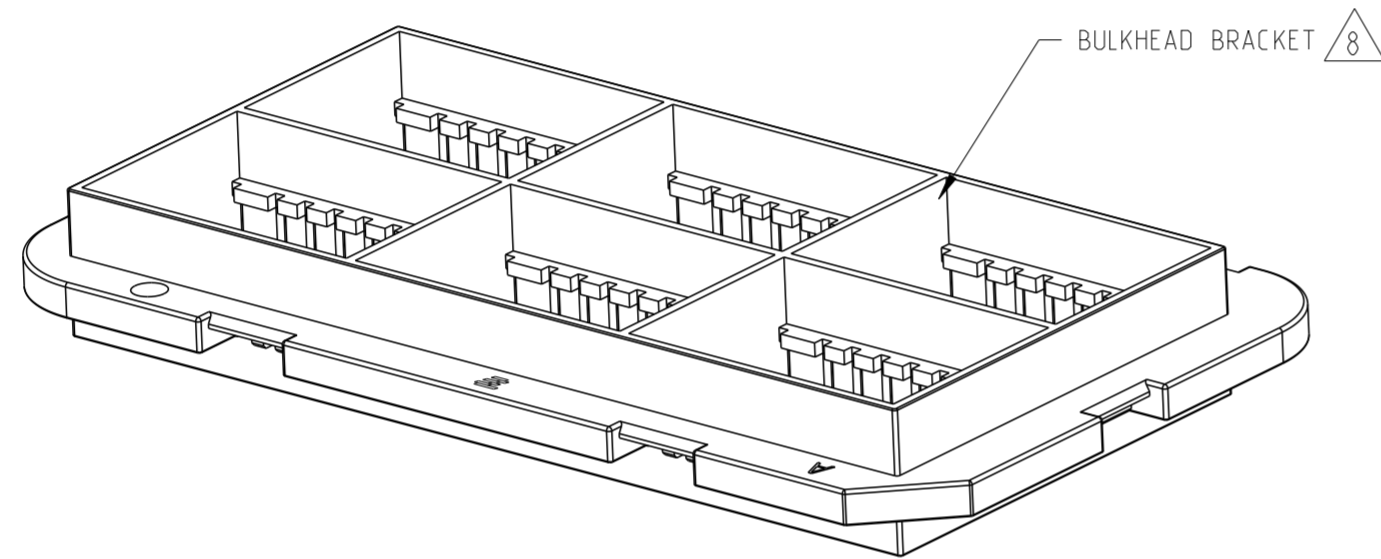
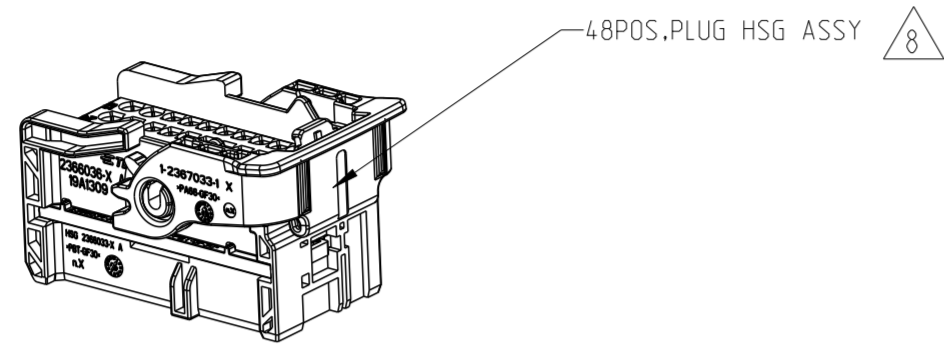
CODING A PN: 2366066-1	CODING B PN: 2366066-2	CODING C PN: 2366066-3	CODING D PN: 2366066-4

1	1	1	1	YELLOW	PBT-GF30	SECOND LOCK	2
1				BLUE	PA6-GF15	HOUSING.CODE D	1
	1			GREEN	PA6-GF15	HOUSING.CODE C	
		1		GREY	PA6-GF15	HOUSING.CODE B	
			1	BLACK	PA6-GF15	HOUSING.CODE A	
QTY. REQUEST PER ASSY				COLOR	MATERIAL	DESCRIPTION	ITEM NO
19.61	19.61	19.61	19.61	WEIGHT OF EACH ASSY NO. (g)			
B	B	B	B	REVISION OF EACH ASSY NO.			
2366066-4	2366066-3	2366066-2	2366066-1	TE ASSEMBLY PN			

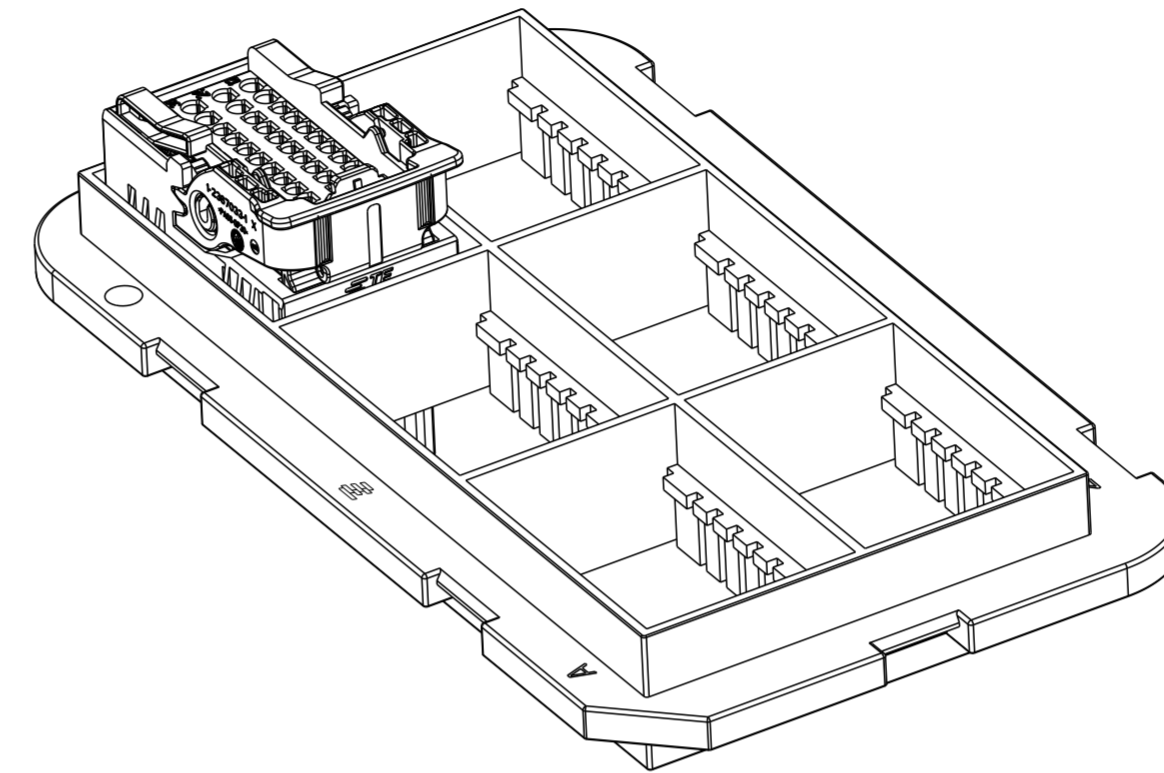
THIS DRAWING IS A CONTROLLED DOCUMENT.		DWN V. TANG	03JAN2020	TE Connectivity	NAME 48POS, MCON 1.2 LL, TAB HSG ASSY UNSEALED, CONNECTOR
DIMENSIONS: mm		CHK E. JIANG	03JAN2020		
TOLERANCES UNLESS OTHERWISE SPECIFIED:		APVD J. YIN	03JAN2020		
		PRODUCT SPEC 108-32618		SIZE A2	
MATERIAL		APPLICATION SPEC 114-32365		CAGE CODE 00779	DRAWING NO C-2366066
FINISH		WEIGHT		RESTRICTED TO	
		RESTRICTED CUSTOMER		SCALE 2:1	SHEET 1 OF 2
				REV B1	

P	LTR	DESCRIPTION	DATE	DWN	APVD
-		SEE SHEET 1	-	-	-

APPLICATION AS SHOWN



BULKHEAD BRACKET INTERFACE



SCALE 1:1

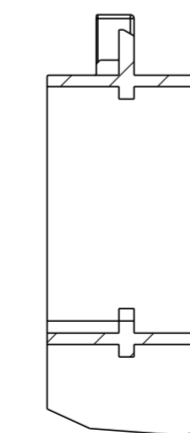
NOTES:

8 .48POS.TAB AND PLUG HSG ASSY MATES WITH BULKHEAD BRACKET.

48POS. HSG ASSY P/N: MALE SIDE:2366066-*.FEMALE SIDE:2366036-*

BULKHEAD BRACKET P/N: 2050752-1 OR FOLLOW DIMENSIONS ON INTERFACE.

IF THERE ARE ANY OTHER APPLICATIONS FOR THIS BRACKET, PLEASE CONFIRM WITH TE PRODUCT ENGINEER FIRST.



SECTION X-X

THIS DRAWING IS A CONTROLLED DOCUMENT.

DWN V. TANG 03JAN2020
CHK E. JIANG 03JAN2020
APVD J. YIN 03JAN2020



DIMENSIONS:		TOLERANCES UNLESS OTHERWISE SPECIFIED:	
mm		0 PLC	±0.5
		1 PLC	±0.3
		2 PLC	±0.20
		3 PLC	±0.100
		4 PLC	±0.0500
		ANGLES	±5°
		FINISH	-
MATERIAL		-	
		-	

PRODUCT SPEC 108-32618
APPLICATION SPEC 114-32365
WEIGHT -
RESTRICTED CUSTOMER

NAME				RESTRICTED TO			
48POS, MCON 1.2 LL, TAB HSG ASSY UNSEALED, CONNECTOR							
SIZE	CAGE CODE	DRAWING NO					
A2	100779	C-2366066					
SCALE 2:1		SHEET 2 OF 2		REV B1			

X-ON Electronics

Largest Supplier of Electrical and Electronic Components

Click to view similar products for [Automotive Connectors](#) category:

Click to view products by [TE Connectivity](#) manufacturer:

Other Similar products are found below :

[003-018-000](#) [60993906-B](#) [72.330.1035.1](#) [776880-1](#) [827153-1](#) [9-1326729-8](#) [9-221607-5](#) [925474-1](#) [928905-1](#) [964562-4](#) [968782-1](#) [12004468](#)
[12004475-L](#) [12004483](#) [12052466](#) [12066163](#) [12015909](#) [12077753](#) [1-21030-1](#) [12047957](#) [12047958](#) [12084688](#) [12185550](#) [12336-12](#) [1-](#)
[326211-1](#) [13681974](#) [13688972](#) [13755420](#) [13779834](#) [13783086](#) [13843152](#) [13522378](#) [13581967](#) [13669624](#) [13675513](#) [13753471](#) [13946876](#)
[13953457](#) [13955963](#) [13964573](#) [13971791](#) [13790534-L](#) [13797473](#) [13805590](#) [13888202](#) [13969981](#) [1428188-1](#) [1437287-3](#) [1428188-2](#) [DS07-](#)
[19S-5020](#)