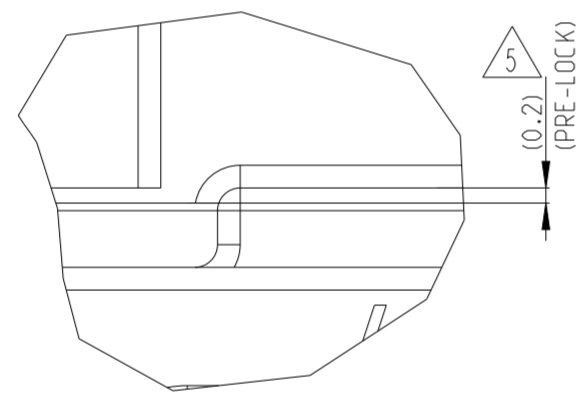
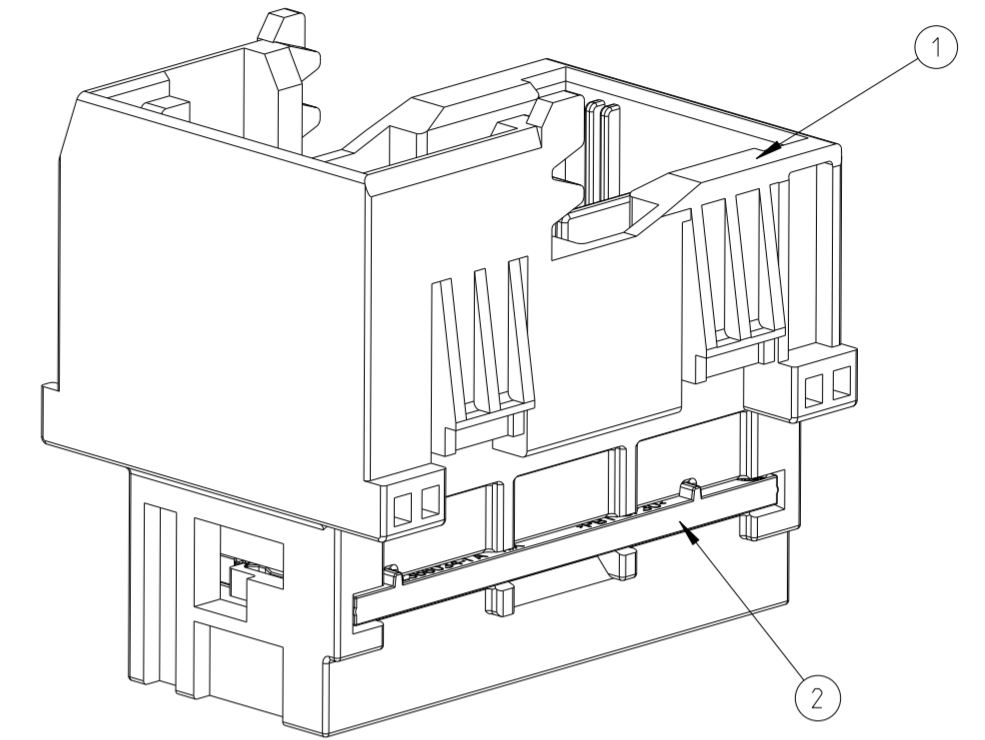
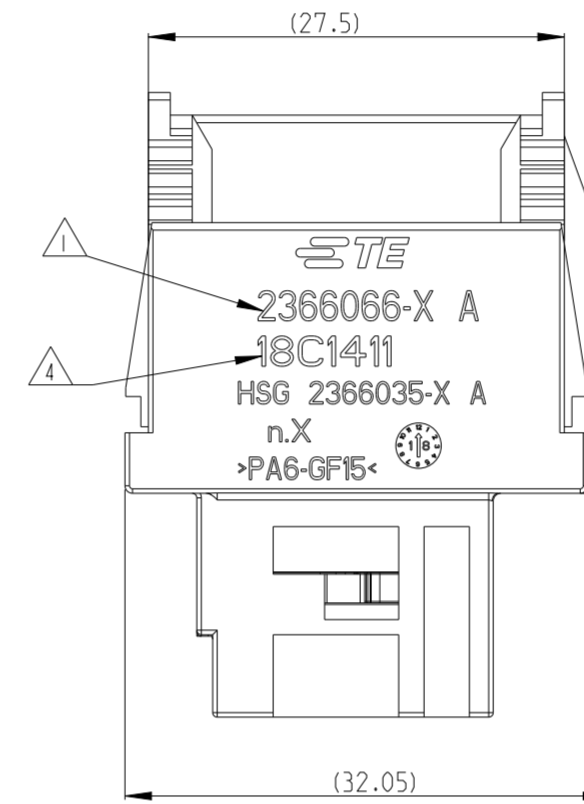
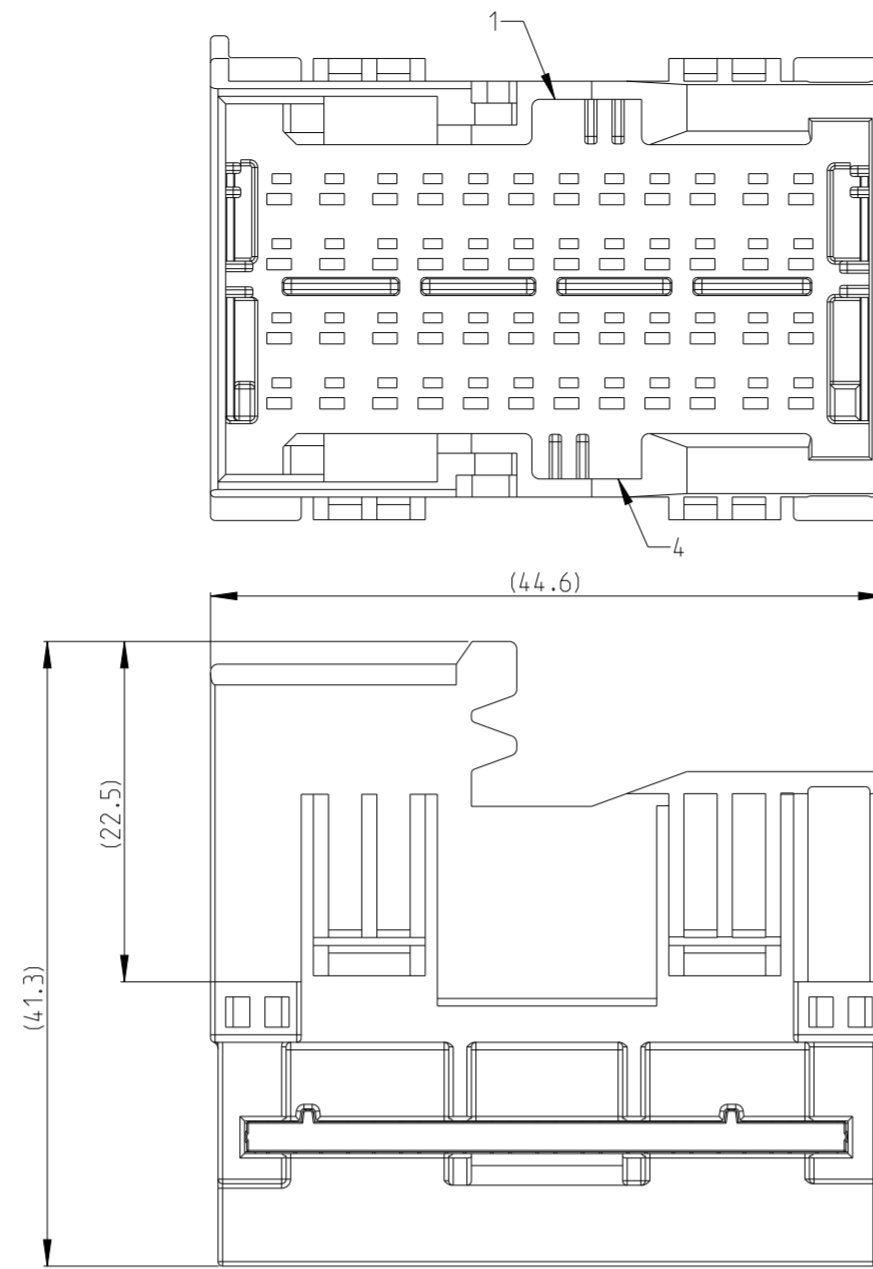
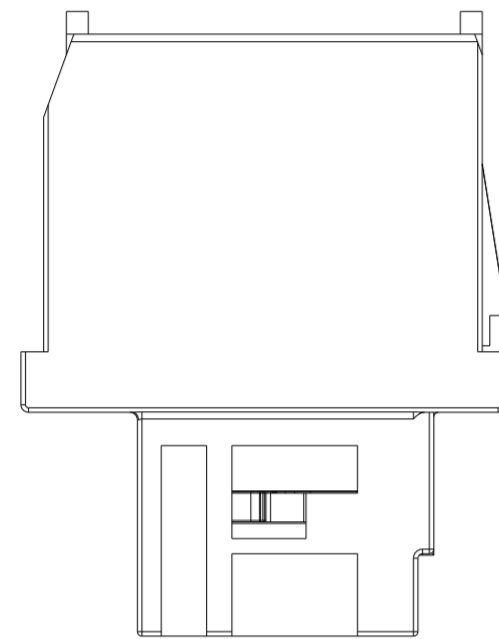


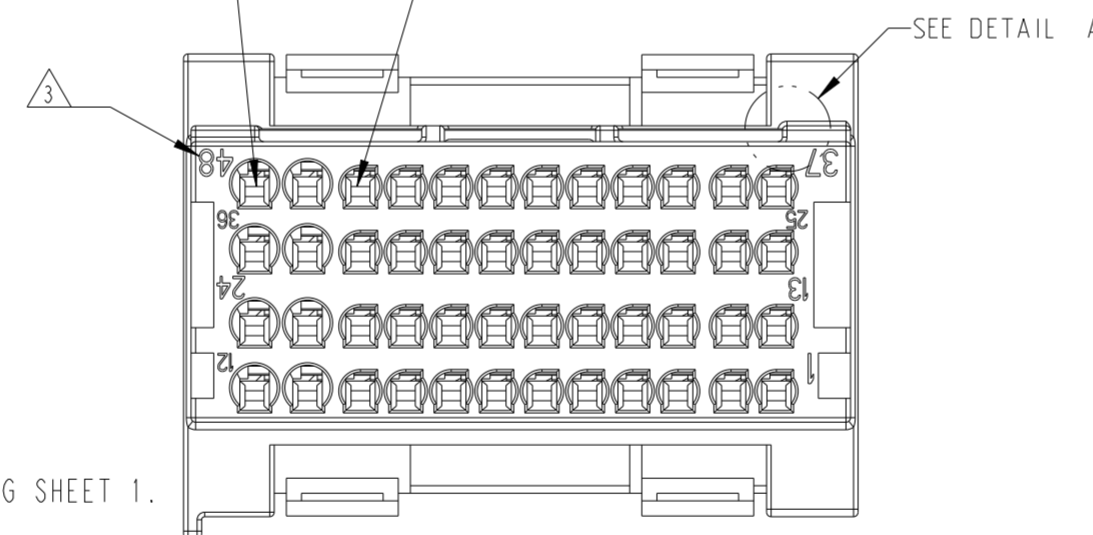
2366066-1 SHOWN AS

REVISIONS					
P	LTR	DESCRIPTION	DATE	DWN	APVD
A		INITIAL RELEASE DRAWING	15JAN2020	V.T	I.Y
A1		REVISE	15JAN2021	S.Z	I.Y
B		REVISED PER PCN -E-21-004518	16APR2021	S.Z	Z.Z



DETAIL A
SCALE 10:1

8Pos FOR WIRE SIZE 1.5(mm²) max. INSULATION Ø2.4 mm max.
40Pos FOR WIRE SIZE 1.0(mm²) max. INSULATION Ø2.1 mm max.



NOTES:

- 1 ASSEMBLY PN AND PART REVISION:
2366066-X A
X: X=1, 2, 3, 4 FOR VARIOUS CODE.
A: PART REVISION, DETAIL SEE TABLE ON THE DRAWING SHEET 1.
2. MATERIAL: SEE DRAWING TABLE
- 3 IDENTIFICATION FOR CABLE PINOUT.
- 4 THE ASSEMBLY DATE CODE: IDENTIFIES THE YEAR, MONTH, DAY AND HOUR OF ASSEMBLY.
SUCH AS :18C1411
18: YEAR, FIRST AND SECOND DIGITS (18=2018)
C: MONTH, THIRD DIGIT, EXCLUDING "1", A=JAN, B=FEB, C=MARCH...H=AUGUST, J=SEPTEMBER...
14: DAY, FOURTH AND FIFTH DIGITS(14=14th DAY)
11: HOUR, SIXTH AND SEVENTH DIGITS(11=11AM)
- 5 VERIFY THE SECOND LOCK SEATED ON PRE-LOCK POSITION FOR DELIVERY.
PULL SECOND LOCK TO PRE-LOCK BEFORE TERMINAL INSERTION IN CASE OF SECOND LOCK BEING HIT TO END-LOCK POSITION.
6. APPLICABLE TERMINAL PART NUMBERS AND WIRE SIZE SHOWN AS BELOW FOR RECOMMEND,
CONSULT TE CONNECTIVITY FOR MORE APPLICATION INFORMATION.

1418760-1	TIN	0.75	Ø1.40-Ø1.90
5-1418760-1	TIN	0.75	Ø1.40-Ø1.90
1418762-1	TIN	1.0-1.5	Ø1.90-Ø2.40
TERMINAL PN	TERMINAL PLATING	WIRE SIZE (MM2)	INSULATION WIRES OD(MM)

7. THIS TAB MATES WITH 2366036-X PLUG (X=1, 2, 3, 4 FOR RELEVANT CODE).

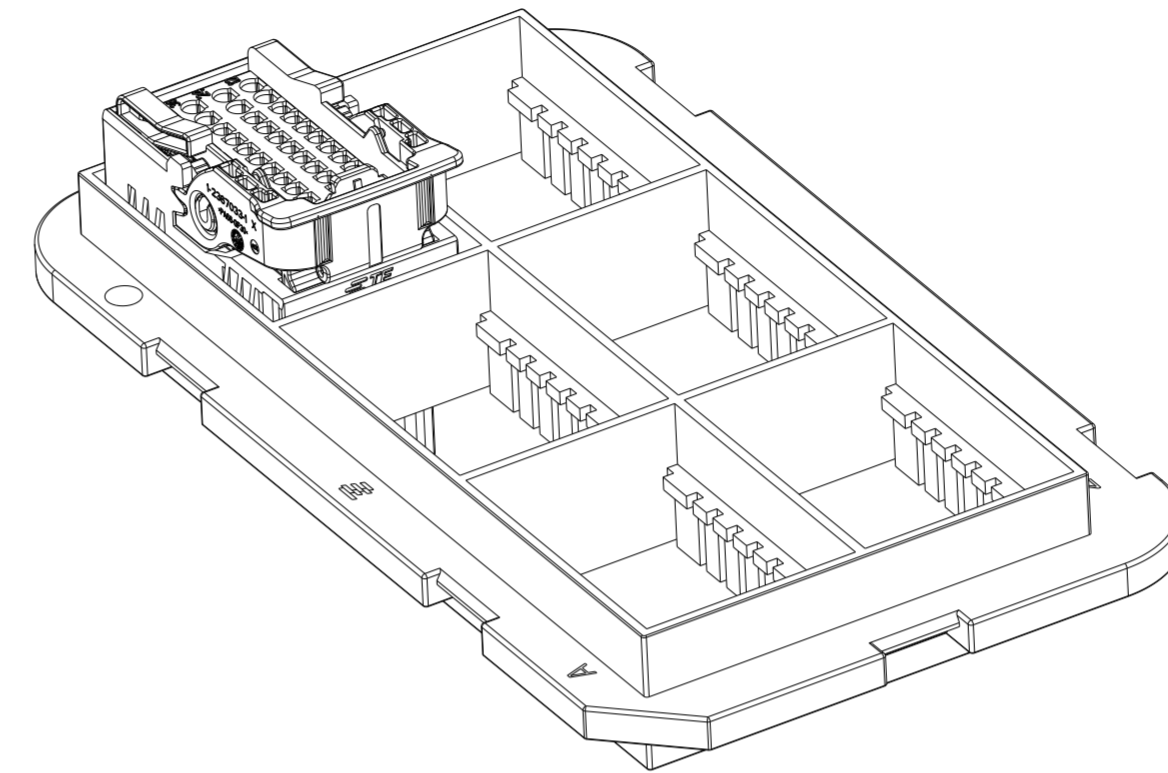
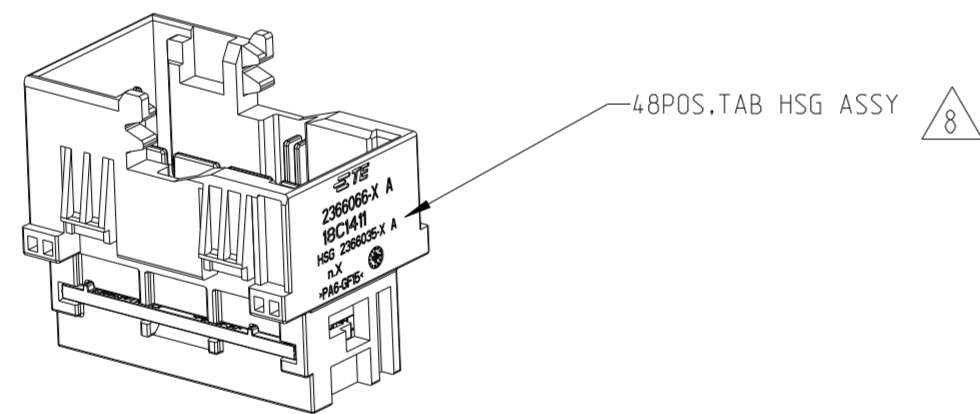
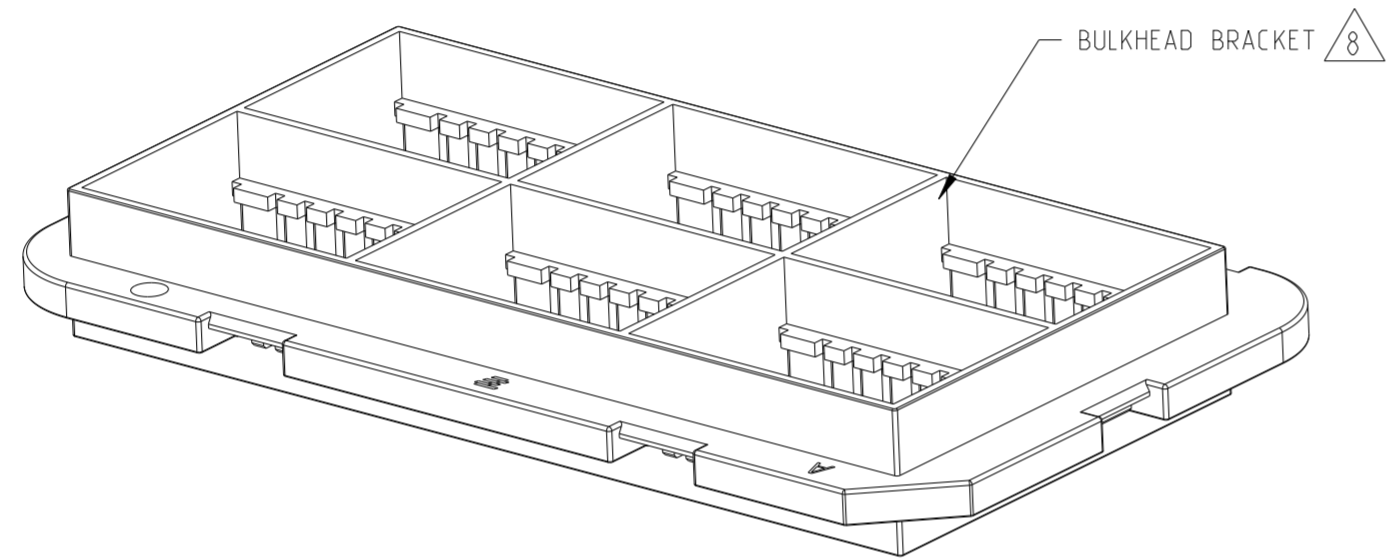
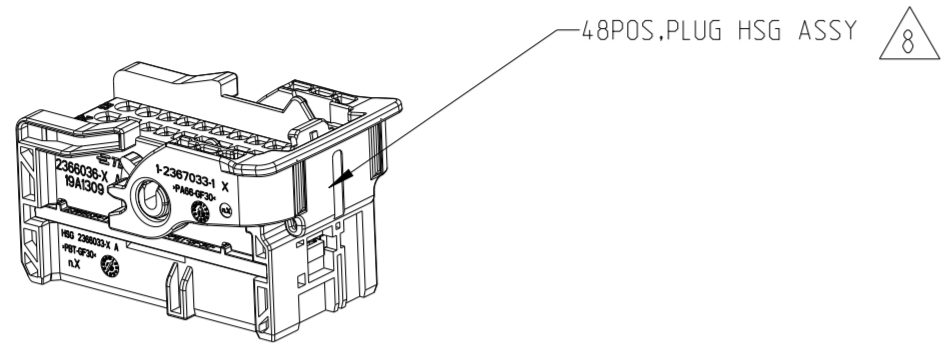
CODING A PN: 2366066-1	CODING B PN: 2366066-2	CODING C PN: 2366066-3	CODING D PN: 2366066-4

1	1	1	1	YELLOW	PBT-GF30	SECOND LOCK	2
1				BLUE	PA6-GF15	HOUSING.CODE D	1
	1			GREEN	PA6-GF15	HOUSING.CODE C	
		1		GREY	PA6-GF15	HOUSING.CODE B	
			1	BLACK	PA6-GF15	HOUSING.CODE A	
QTY. REQUEST PER ASSY				COLOR	MATERIAL	DESCRIPTION	ITEM NO
19.61	19.61	19.61	19.61	WEIGHT OF EACH ASSY NO. (g)			
B	B	B	B	REVISION OF EACH ASSY NO.			
2366066-4	2366066-3	2366066-2	2366066-1	TE ASSEMBLY PN			

THIS DRAWING IS A CONTROLLED DOCUMENT.		DWN V. TANG	03JAN2020	TE Connectivity		
DIMENSIONS: mm		CHK E. JIANG	03JAN2020			
TOLERANCES UNLESS OTHERWISE SPECIFIED:		APVD J. YIN	03JAN2020			
		PRODUCT SPEC 108-32618	NAME 48POS, MCON 1.2 LL, TAB HSG ASSY UNSEALED, CONNECTOR			
MATERIAL	FINISH	APPLICATION SPEC 114-32365	SIZE A2	CAGE CODE 00779	DRAWING NO C-2366066	RESTRICTED TO
-	-	WEIGHT	SCALE 2:1		SHEET 1 OF 2	REV B
RESTRICTED CUSTOMER						

P	LTR	DESCRIPTION	DATE	DWN	APVD
-		SEE SHEET 1	-	-	-

APPLICATION AS SHOWN



SCALE 1:1

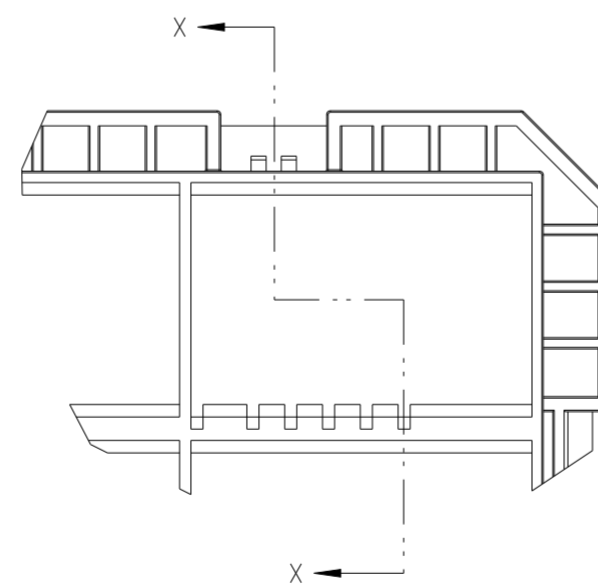
NOTES:

8 .48POS.TAB AND PLUG HSG ASSY MATES WITH BULKHEAD BRACKET.

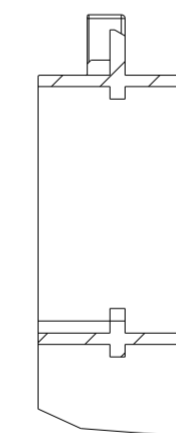
48POS. HSG ASSY P/N: MALE SIDE:2366066-*.FEMALE SIDE:2366036-*

BULKHEAD BRACKET P/N: 2050752-1 OR FOLLOW DIMENSIONS ON INTERFACE.


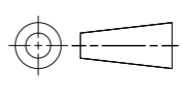
IF THERE ARE ANY OTHER APPLICATIONS FOR THIS BRACKET, PLEASE CONFIRM WITH TE PRODUCT ENGINEER FIRST.



BULKHEAD BRACKET INTERFACE



SECTION X-X

THIS DRAWING IS A CONTROLLED DOCUMENT.		DWN V. TANG 03JAN2020	 TE Connectivity
DIMENSIONS: mm		CHK E. JIANG 03JAN2020	
		APVD J. YIN 03JAN2020	
TOLERANCES UNLESS OTHERWISE SPECIFIED:		PRODUCT SPEC 108-32618	NAME 48POS, MCON 1.2 LL, TAB HSG ASSY UNSEALED, CONNECTOR
0 PLC ±0.5		APPLICATION SPEC 114-32365	SIZE A2
1 PLC ±0.3		WEIGHT -	CAGE CODE 00779
2 PLC ±0.20		RESTRICTED CUSTOMER	DRAWING NO C-2366066
3 PLC ±0.100		SCALE 2:1	RESTRICTED TO
4 PLC ±0.0500		SHEET 2 OF 2	REV B
ANGLES ±5°			
FINISH			

X-ON Electronics

Largest Supplier of Electrical and Electronic Components

Click to view similar products for [Automotive Connectors](#) category:

Click to view products by [TE Connectivity](#) manufacturer:

Other Similar products are found below :

[003-018-000](#) [60993906-B](#) [72.330.1035.1](#) [F358300-B](#) [F407400](#) [776880-1](#) [827153-1](#) [8N1515-32-24P](#) [9-1326729-8](#) [925474-1](#) [928905-1](#)
[964562-4](#) [968782-1](#) [98891-1012](#) [12004475-L](#) [12041318-B](#) [12052466](#) [12015909](#) [1-21030-1](#) [12041318](#) [12047957](#) [12185550](#) [12336-12](#)
[12147304](#) [1-326211-1](#) [13681974](#) [13783086](#) [13832576](#) [13542772](#) [13675513](#) [1428188-1](#) [1437287-3](#) [1428188-2](#) [DS07-19S-5020](#) [1456983-5](#)
[1456987-7](#) [APD-7CP-H](#) [APK-SB25A10L](#) [1452931-2](#) [15336198](#) [15491972](#) [15305306](#) [15396680](#) [15425613](#) [15518544](#) [15522351](#) [1719636-1](#)
[172190-2](#) [172190-5](#) [192900-0402](#)