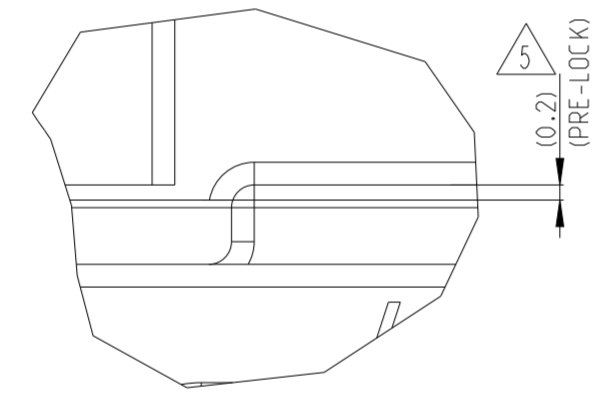
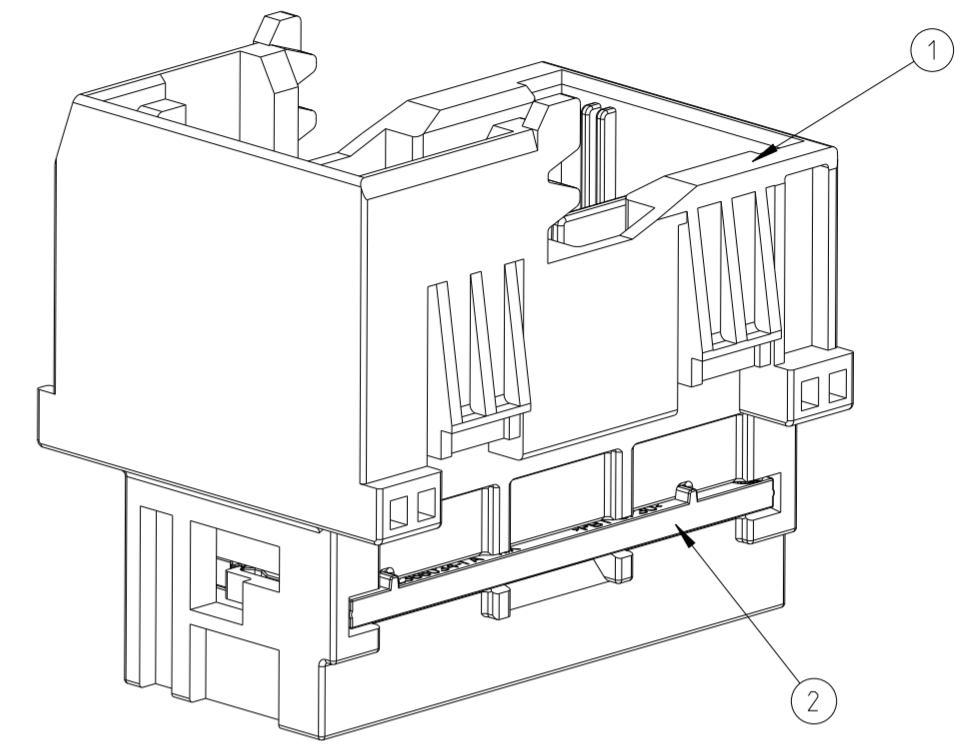
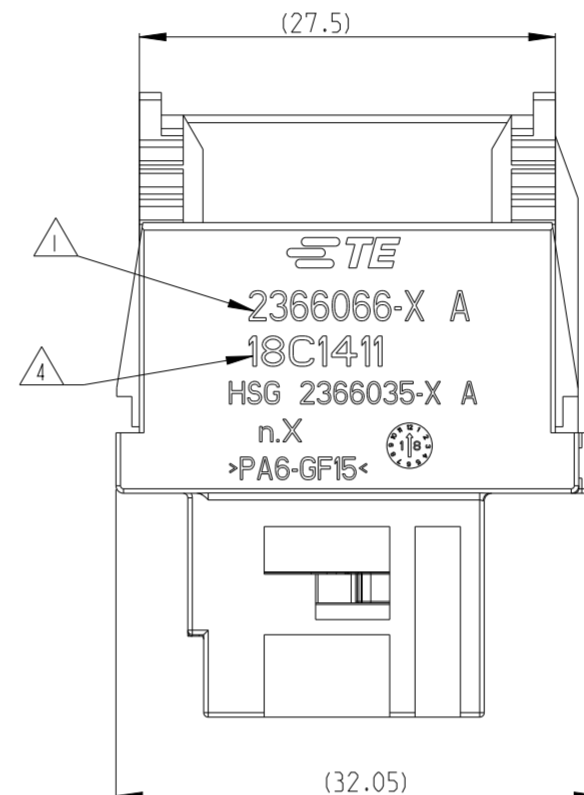
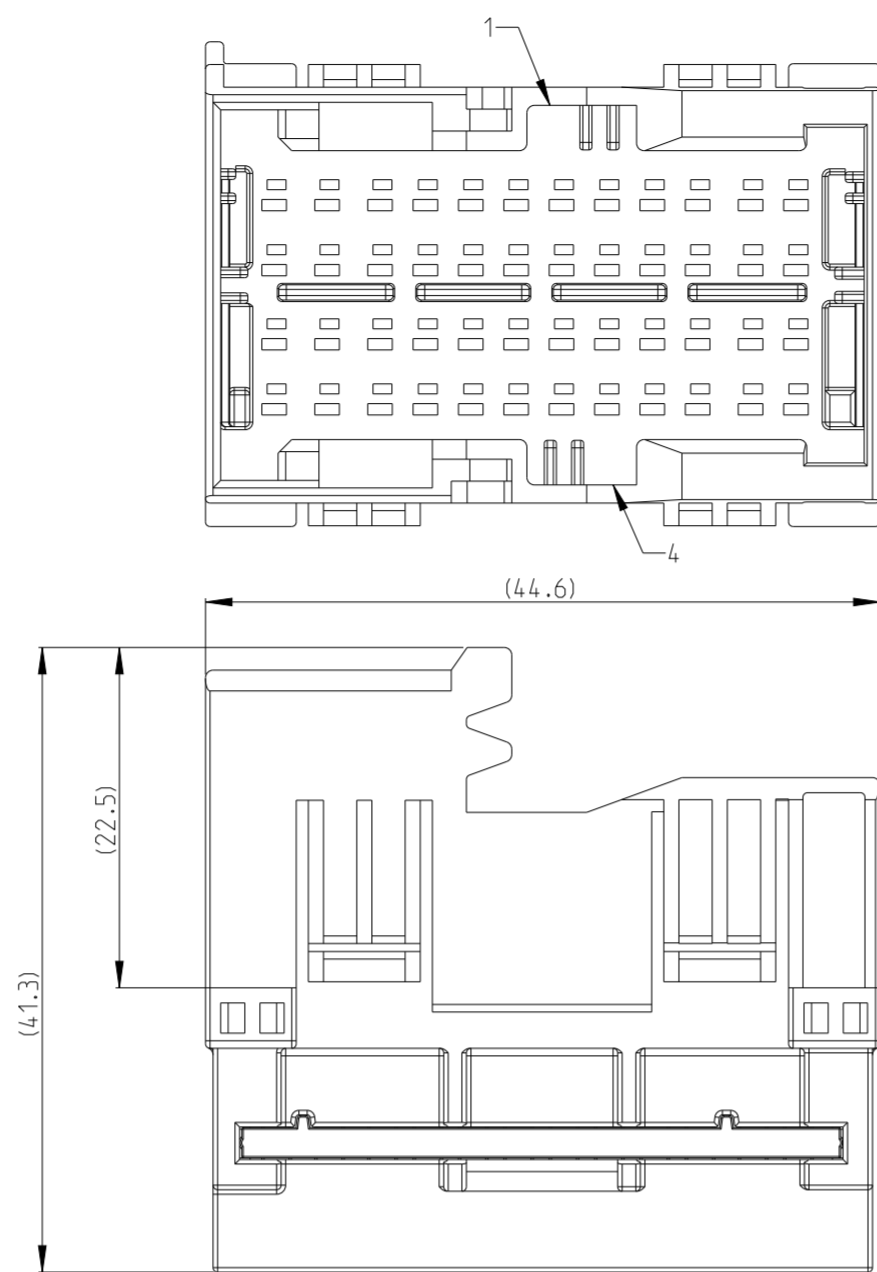
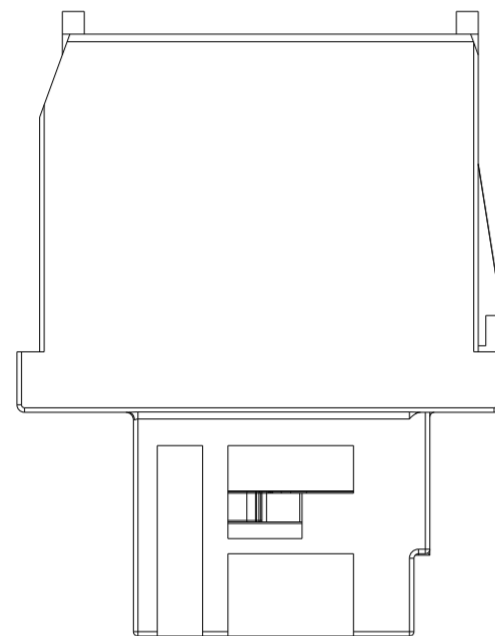
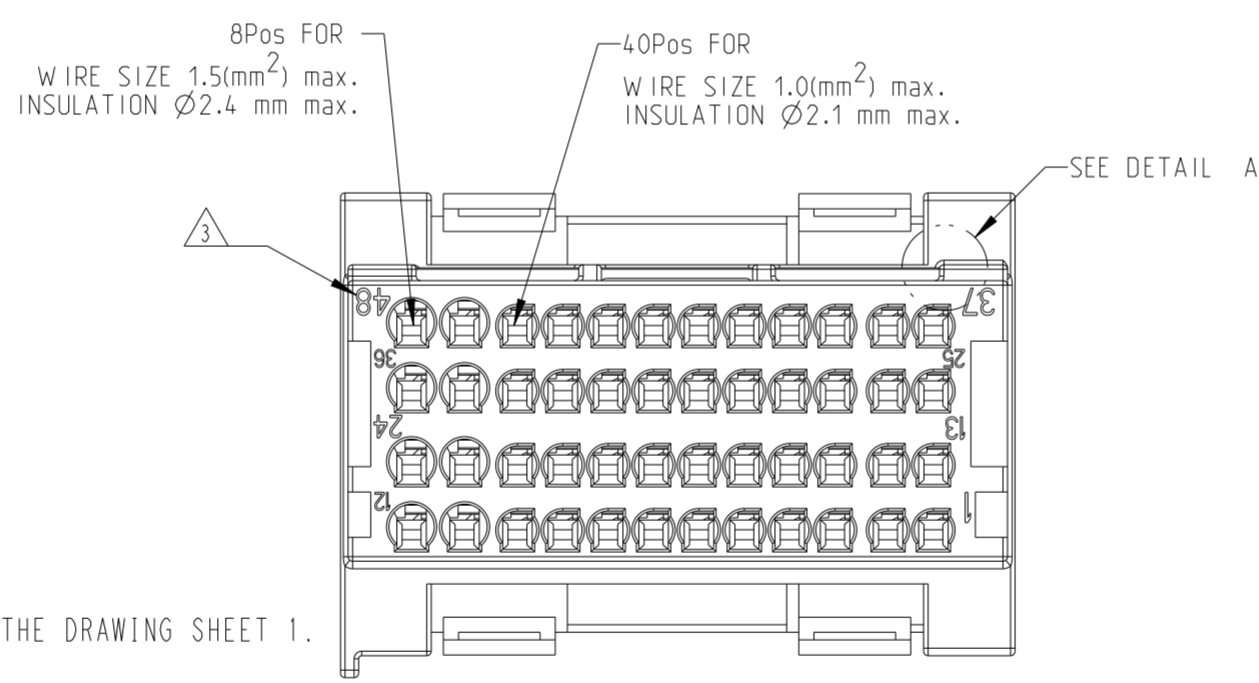


2366066-1 SHOWN AS

REVISIONS					
P	LTR	DESCRIPTION	DATE	DWN	APVD
A		INITIAL RELEASE DRAWING	15JAN2020	V.T	I.Y
A1		REVISE	15JAN2021	S.Z	I.Y
B		REVISED PER PCN -E-21-004518	16APR2021	S.Z	Z.Z



DETAIL A
SCALE 10:1



NOTES:

- 1 ASSEMBLY PN AND PART REVISION:
2366066-X A
X: X=1, 2, 3, 4 FOR VARIOUS CODE.
A: PART REVISION, DETAIL SEE TABLE ON THE DRAWING SHEET 1.
- 2. MATERIAL: SEE DRAWING TABLE
- 3 IDENTIFICATION FOR CABLE PINOUT.
- 4 THE ASSEMBLY DATE CODE: IDENTIFIES THE YEAR, MONTH, DAY AND HOUR OF ASSEMBLY.
SUCH AS :18C1411
18: YEAR, FIRST AND SECOND DIGITS (18=2018)
C: MONTH, THIRD DIGIT, EXCLUDING "1", A=JAN, B=FEB, C=MARCH...H=AUGUST, J=SEPTEMBER...
14: DAY, FOURTH AND FIFTH DIGITS(14=14th DAY)
11: HOUR, SIXTH AND SEVENTH DIGITS(11=11AM)
- 5 VERIFY THE SECOND LOCK SEATED ON PRE-LOCK POSITION FOR DELIVERY.
PULL SECOND LOCK TO PRE-LOCK BEFORE TERMINAL INSERTION IN CASE OF SECOND LOCK BEING HIT TO END-LOCK POSITION.
- 6. APPLICABLE TERMINAL PART NUMBERS AND WIRE SIZE SHOWN AS BELOW FOR RECOMMEND,
CONSULT TE CONNECTIVITY FOR MORE APPLICATION INFORMATION.

1418760-1	TIN	0.75	Ø1.40-Ø1.90
5-1418760-1	TIN	0.75	Ø1.40-Ø1.90
1418762-1	TIN	1.0-1.5	Ø1.90-Ø2.40
TERMINAL PN	TERMINAL PLATING	WIRE SIZE (MM2)	INSULATION WIRES OD(MM)

7. THIS TAB MATES WITH 2366036-X PLUG (X=1, 2, 3, 4 FOR RELEVANT CODE).

1	2	3	4
CODING A PN: 2366066-1	CODING B PN: 2366066-2	CODING C PN: 2366066-3	CODING D PN: 2366066-4

1	1	1	1	YELLOW	PBT-GF30	SECOND LOCK	2
1				BLUE	PA6-GF15	HOUSING.CODE D	1
	1			GREEN	PA6-GF15	HOUSING.CODE C	
		1		GREY	PA6-GF15	HOUSING.CODE B	
			1	BLACK	PA6-GF15	HOUSING.CODE A	
QTY. REQUEST PER ASSY				COLOR	MATERIAL	DESCRIPTION	ITEM NO
19.61	19.61	19.61	19.61	WEIGHT OF EACH ASSY NO. (g)			
B	B	B	B	REVISION OF EACH ASSY NO.			
2366066-4	2366066-3	2366066-2	2366066-1	TE ASSEMBLY PN			

THIS DRAWING IS A CONTROLLED DOCUMENT.

DWN	V. TANG	03JAN2020
CHK	E. JIANG	03JAN2020
APVD	J. YIN	03JAN2020
PRODUCT SPEC	108-32618	
APPLICATION SPEC	114-32365	
MATERIAL	-	-
FINISH	-	-
WEIGHT	-	-
RESTRICTED CUSTOMER		

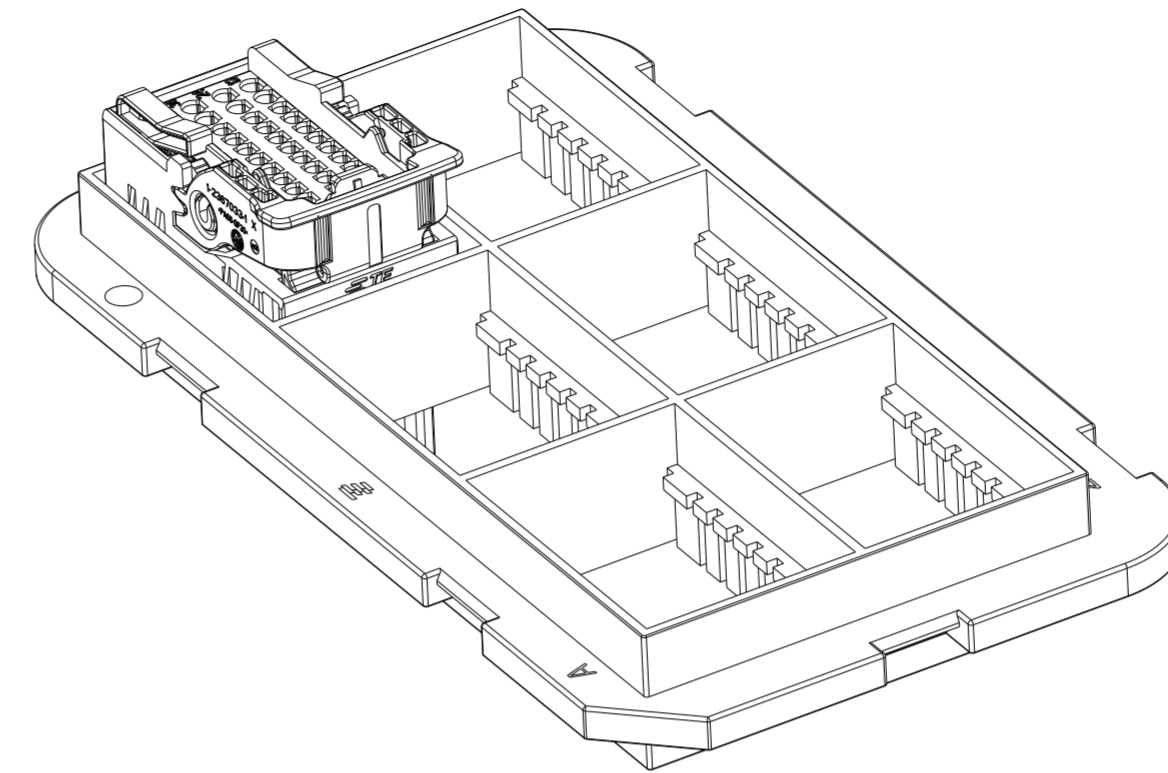
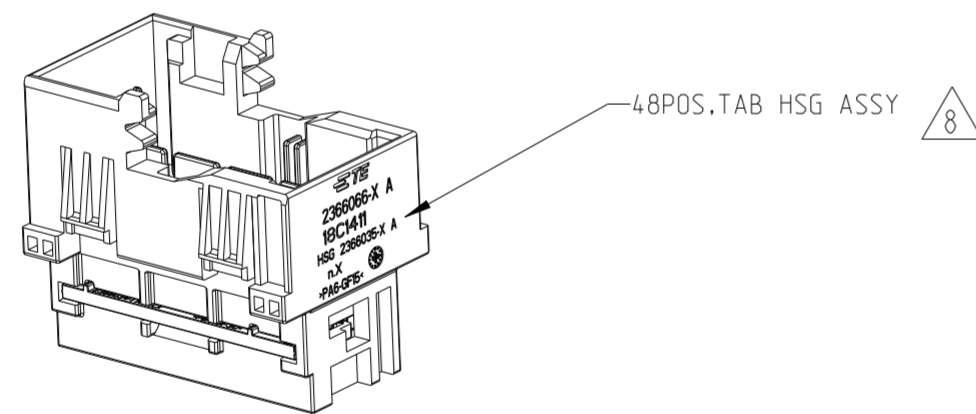
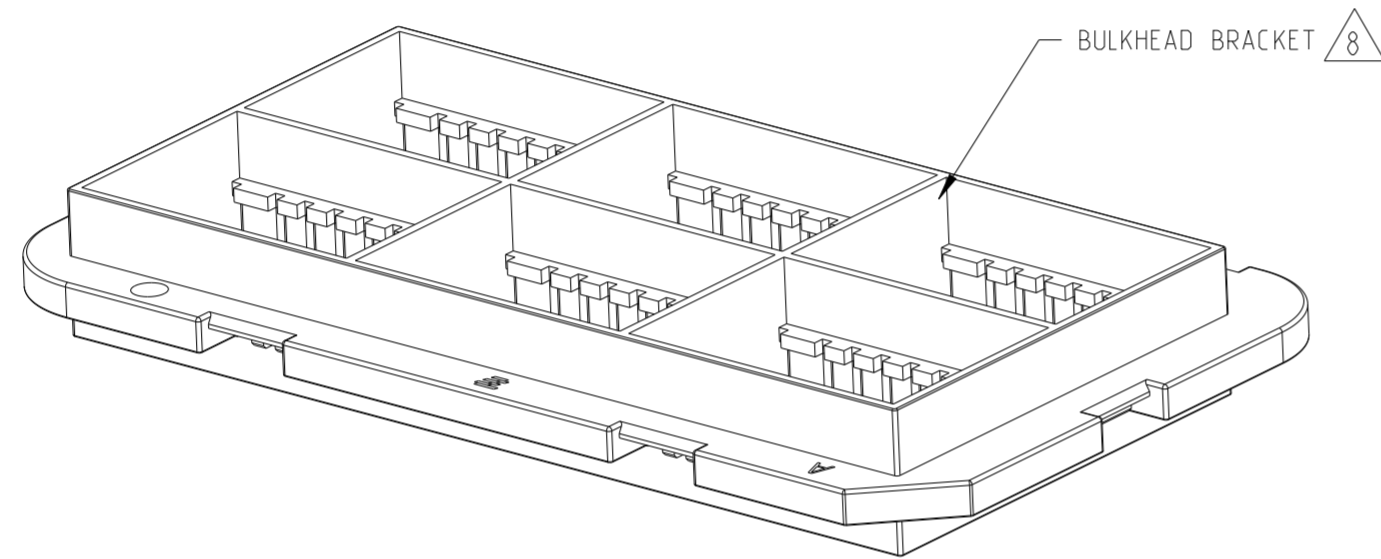
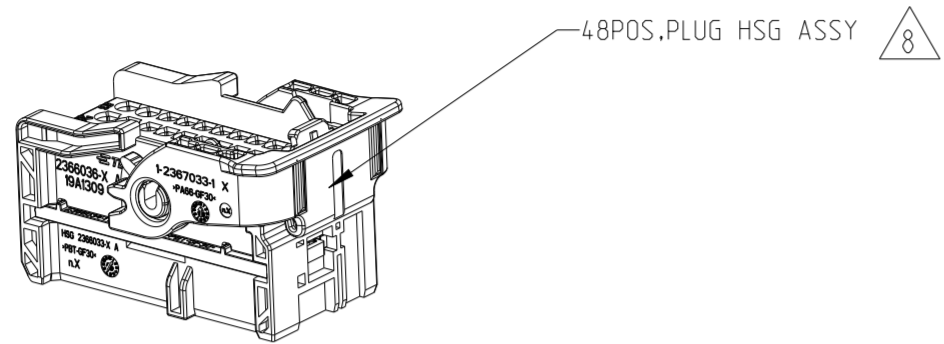
NAME: 48POS, MCON 1.2 LL, TAB HSG ASSY UNSEALED, CONNECTOR

SIZE: A2 CAGE CODE: 00779 DRAWING NO: C-2366066 RESTRICTED TO: B

SCALE: 2:1 SHEET: 1 OF 2 REV: B

P	LTR	DESCRIPTION	DATE	DWN	APVD
-		SEE SHEET 1	-	-	-

APPLICATION AS SHOWN



SCALE 1:1

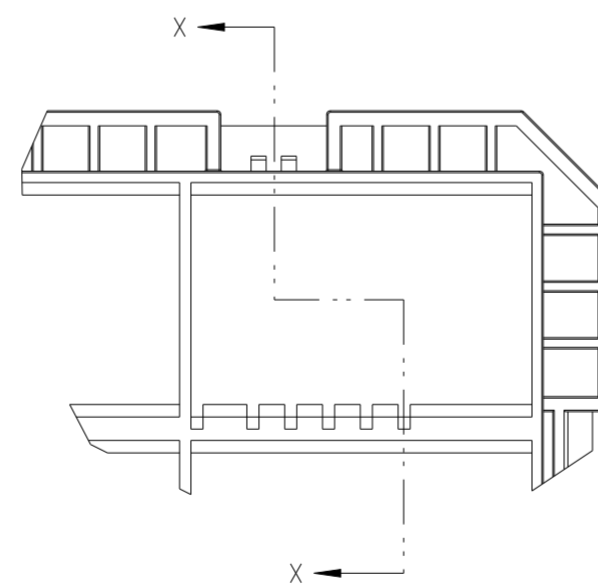
NOTES:

8 .48POS.TAB AND PLUG HSG ASSY MATES WITH BULKHEAD BRACKET.

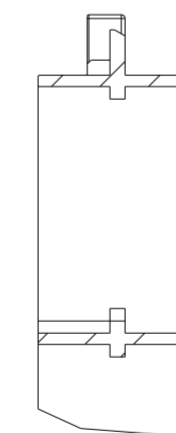
48POS. HSG ASSY P/N: MALE SIDE:2366066-*.FEMALE SIDE:2366036-*

BULKHEAD BRACKET P/N: 2050752-1 OR FOLLOW DIMENSIONS ON INTERFACE.

IF THERE ARE ANY OTHER APPLICATIONS FOR THIS BRACKET, PLEASE CONFIRM WITH TE PRODUCT ENGINEER FIRST.



BULKHEAD BRACKET INTERFACE



SECTION X-X

THIS DRAWING IS A CONTROLLED DOCUMENT.		DWN V. TANG	03JAN2020	STE TE Connectivity
		CHK E. JIANG	03JAN2020	
		APVD J. YIN	03JAN2020	
DIMENSIONS:	TOLERANCES UNLESS OTHERWISE SPECIFIED:	NAME		48POS, MCON 1.2 LL, TAB HSG ASSY UNSEALED, CONNECTOR
mm	0 PLC ±0.5 1 PLC ±0.3 2 PLC ±0.20 3 PLC ±0.100 4 PLC ±0.0500 ANGLES ±5° FINISH	PRODUCT SPEC		
		APPLICATION SPEC		SIZE
MATERIAL		114-32365		CAGE CODE
		WEIGHT		A2 00779
		RESTRICTED CUSTOMER		DRAWING NO
		SCALE 2:1		RESTRICTED TO
		SHEET 2 OF 2		REV B

X-ON Electronics

Largest Supplier of Electrical and Electronic Components

Click to view similar products for [Automotive Connectors](#) category:

Click to view products by [TE Connectivity](#) manufacturer:

Other Similar products are found below :

[003-018-000](#) [60993906-B](#) [72.330.1035.1](#) [776880-1](#) [827153-1](#) [9-1326729-8](#) [9-221607-5](#) [925474-1](#) [928905-1](#) [964562-4](#) [968782-1](#) [98891-1012](#) [12004468](#) [12004475-L](#) [12004483](#) [12052466](#) [12066163](#) [12015909](#) [12077753](#) [1-21030-1](#) [12047957](#) [12047958](#) [12084688](#) [12185550](#) [12336-12](#) [1-326211-1](#) [13681974](#) [13688972](#) [13755420](#) [13779834](#) [13783086](#) [13843152](#) [13522378](#) [13581967](#) [13669624](#) [13675513](#) [13753471](#) [13946876](#) [13953457](#) [13955963](#) [13964573](#) [13971791](#) [13790534-L](#) [13797473](#) [13805590](#) [13888202](#) [1428188-1](#) [1437287-3](#) [1428188-2](#) [DS07-19S-5020](#)