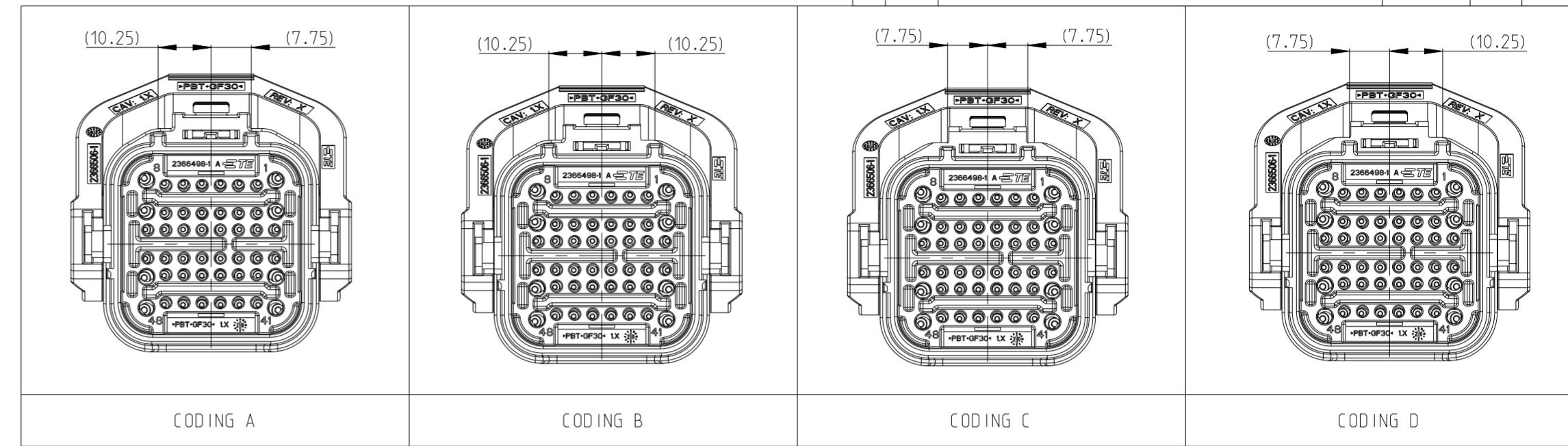
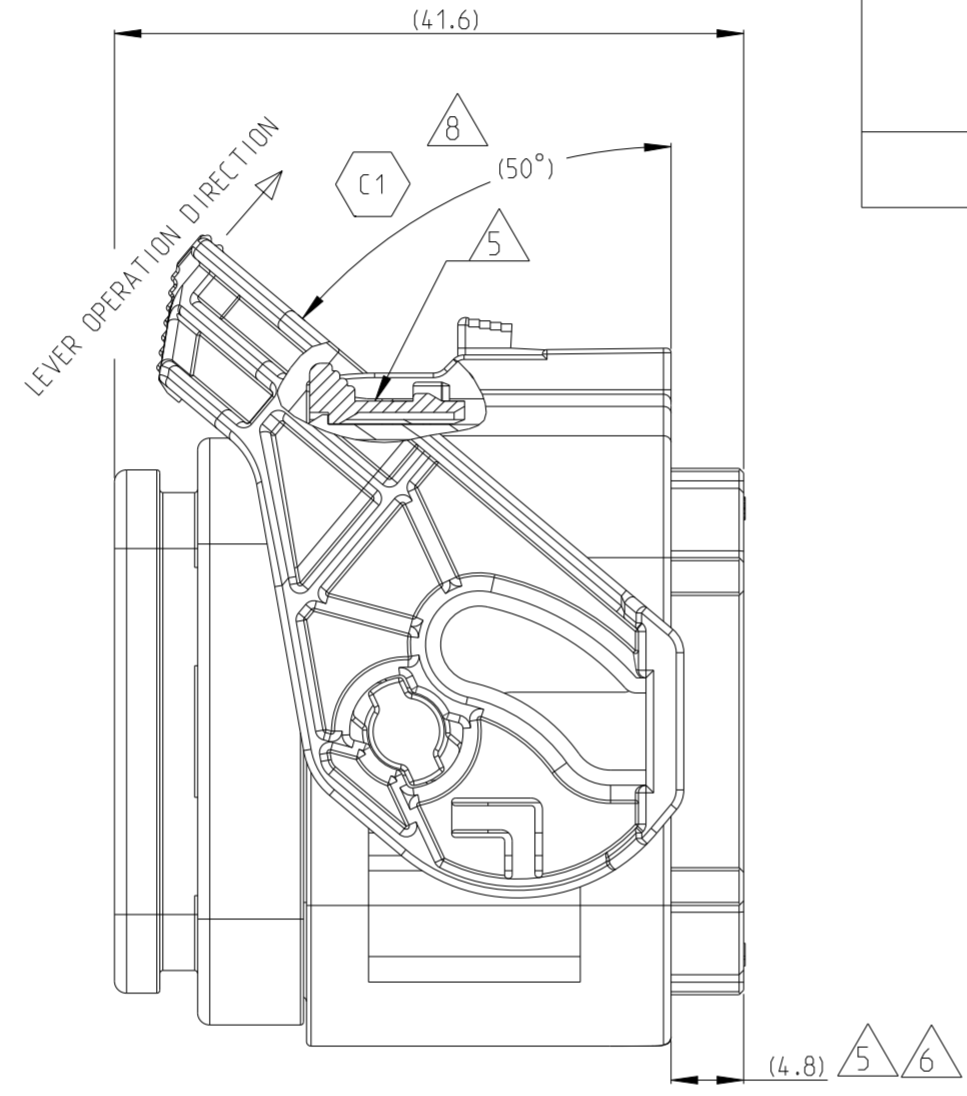
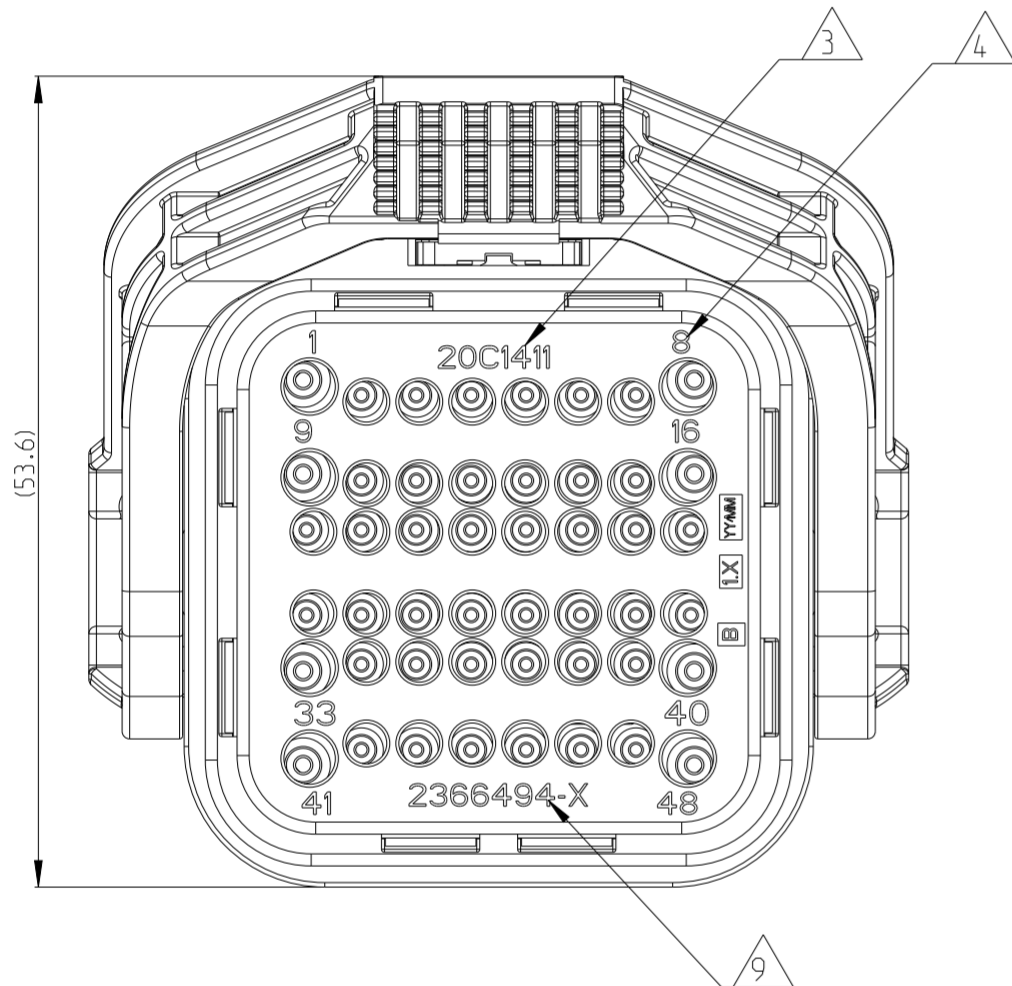
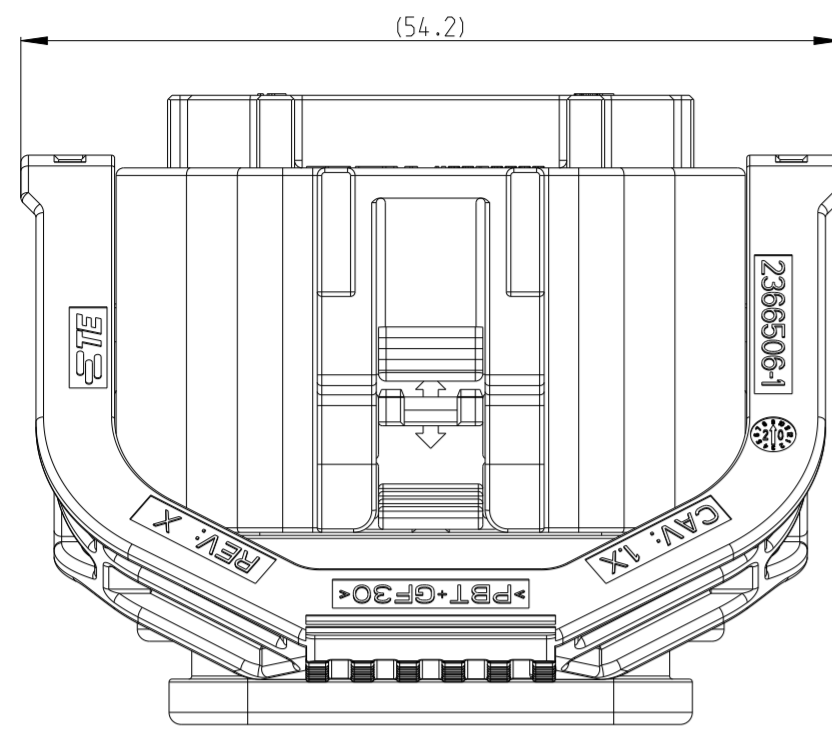


THIS DRAWING IS UNPUBLISHED. RELEASED FOR PUBLICATION 20
 © COPYRIGHT 20 BY - ALL RIGHTS RESERVED.

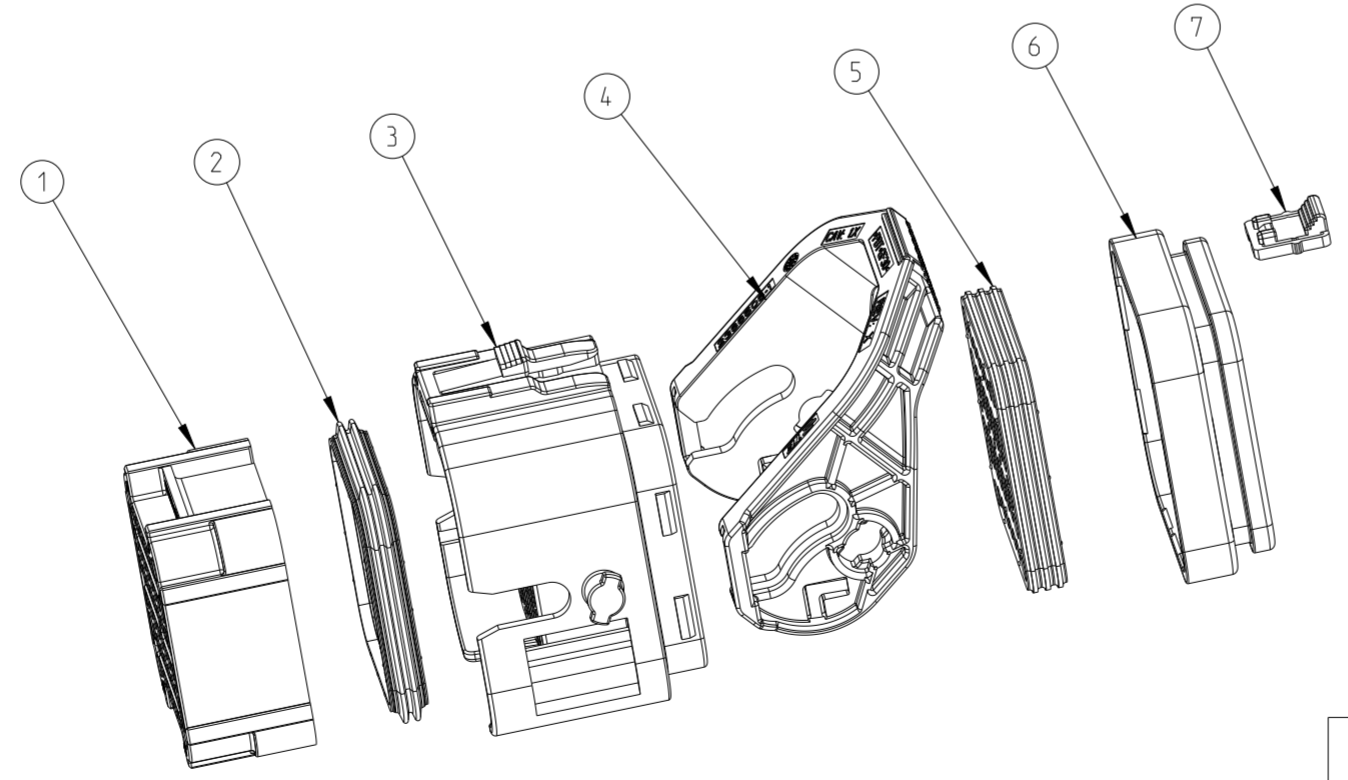
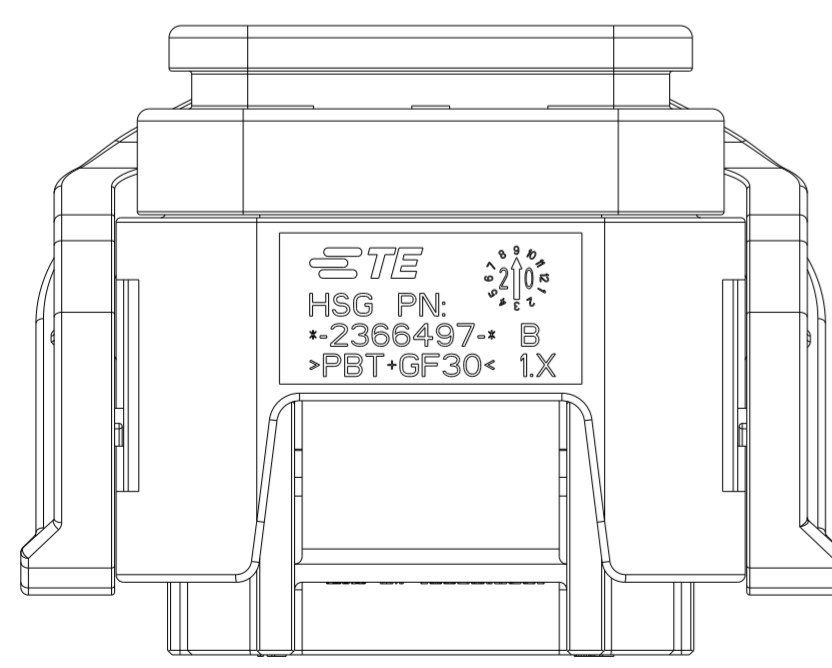
P	LTR	DESCRIPTION	DATE	DWN	APVD
A		RELEASED	05MAR2020	X.L	I.Y
B		SEE ECR-20-017293	08DEC2020	L.G	I.Y
C		SEE ECR-21-002821	17MAR2021	L.G	I.Y
C1		ECN-21-127853	24NOV2021	L.G	Z.Z



- THIS PLUG MATES WITH TAB HOUSING ASSEMBLY PN 2366509-X, OR 2-2366509-X (X=1, 2, 3, 4 FOR VARIOUS CODE).
- MATERIAL SEE TABLE
- DATE CODE: IDENTIFIES THE YEAR, MONTH, DAY AND HOUR OF ASSEMBLY.
 YEAR: FIRST AND SECOND DIGITS(20=2020)
 MONTH: THIRD DIGIT, EXCLUDING 1; A=JAN, B=FEB, C=MARCH...(K=OCTOBER)
 DAY: FOURTH AND FIFTH DIGITS(14=14th DAY)
 HOUR: SIXTH AND SEVENTH DIGITS(11=11AM)
- IDENTIFICATION FOR CABLE PINOUT.
- TPA AND CPA SEATED ON PRE-LOCK POSITION FOR DELIVERY.
- PULL TPA TO PRE-LOCK BEFORE TERMINAL INSERTION IN CASE OF TPA BEING HIT TO END-LOCK POSITION.
- REFER TO 114-151001 FOR DT SIZE 16 TERMINAL APPLICATION SPECIFICATION. REFER TO 114-151003 FOR DT SIZE 20 TERMINAL APPLICATION SPECIFICATION. APPLICABLE TERMINAL PART NUMBERS AND WIRE SIZE:

TERMINAL PN	WIRE SIZE (MM2)	INSULATION WIRE (MM2)	PIOUT NUMBER
16#	1.0-2.5	∅1.9-∅3.0	1,8,9,16,33,40,41,48
20#	0.5-1.5	∅1.4-∅2.4	OTHER PINS

- LEVER SEATED ON PRE-LOCK POSITION FOR DELIVERY.
- LASER PRODUCT PN. SUCH AS "--1" MEANS 2366494-1.
- REFER TO DRAWING 2373921 FOR APPLICABLE PART NO. OF SEALING PLUG.



QTY.	REQUEST PER ASSY	COLOR	MATERIAL	DESCRIPTION	ITEM NO
1	1	RED	PBT-GF15	CPA	7
1	-	BLUE	PBT-GF30	REAR CAP	6
-	1	GREEN			
-	-	GREY			
-	-	BLACK	VMQ	GROMMET	5
1	1	RUST RED	PBT-GF30	LEVER	4
1	-	BLUE	PBT-GF30	HOUSING CODING D	3
-	1	GREEN		HOUSING CODING C	
-	-	GREY		HOUSING CODING B	
-	-	BLACK	PBT-GF30	HOUSING CODING A	
1	1	RUST RED	VMQ	RADIAL SEAL	2
1	1	YELLOW	PBT-GF30	TPA	1
REVISION OF EACH ASSY PN					
TE ASSEMBLY PN					

THIS DRAWING IS A CONTROLLED DOCUMENT.

DWN: X.LI 10FEB2020
 CHK: W.WU 02MAR2020
 APVD: J.YIN 05MAR2020

STE TE Connectivity

NAME: NTS 48P PLUG ASSEMBLY

PRODUCT SPEC: 108-101662

APPLICATION SPEC: -

WEIGHT: -

CUSTOMER DRAWING

SIZE: A2
 CAGE CODE: -
 DRAWING NO: C-2366494

RESTRICTED TO: -

SCALE: 2:1
 SHEET: 1 OF 1
 REV: C1

X-ON Electronics

Largest Supplier of Electrical and Electronic Components

Click to view similar products for [Automotive Connectors](#) category:

Click to view products by [TE Connectivity](#) manufacturer:

Other Similar products are found below :

[003-018-000](#) [60993906-B](#) [M902-2131](#) [M902-2161](#) [M902-2344](#) [72.330.1035.1](#) [73.353.4028.0](#) [F166900](#) [F358300-B](#) [F407400](#) [776880-1](#)
[827153-1](#) [8N1515-32-24P](#) [9-1326729-8](#) [925474-1](#) [928905-1](#) [964562-4](#) [968782-1](#) [98891-1012](#) [12004475-L](#) [12020308](#) [12041318-B](#)
[12052466](#) [12064869](#) [12015909](#) [1-21030-1](#) [12041254](#) [12041318](#) [12047946-B](#) [12110546-B](#) [12131792](#) [12084688](#) [12092346](#) [HD34-18-14PT](#)
[HD46-24-23SN-059](#) [HDB36-24-16PN-059](#) [HDP26-24-9SE-L015](#) [12185280](#) [12185550](#) [12336-12](#) [12191172-B](#) [12S](#) [13545280](#) [13577943](#)
[13681974](#) [13737722-B](#) [13830674](#) [13832576](#) [13849772](#) [13542772](#)