

THIS DRAWING IS UNPUBLISHED.

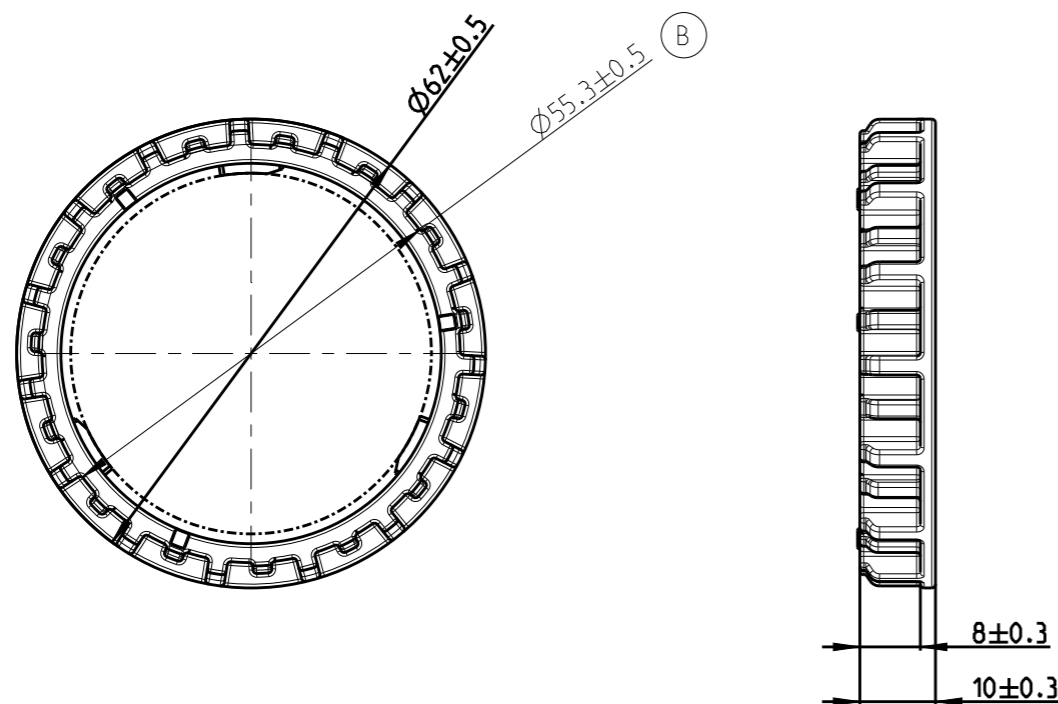
RELEASED FOR PUBLICATION

20

© COPYRIGHT 20 BY - ALL RIGHTS RESERVED.

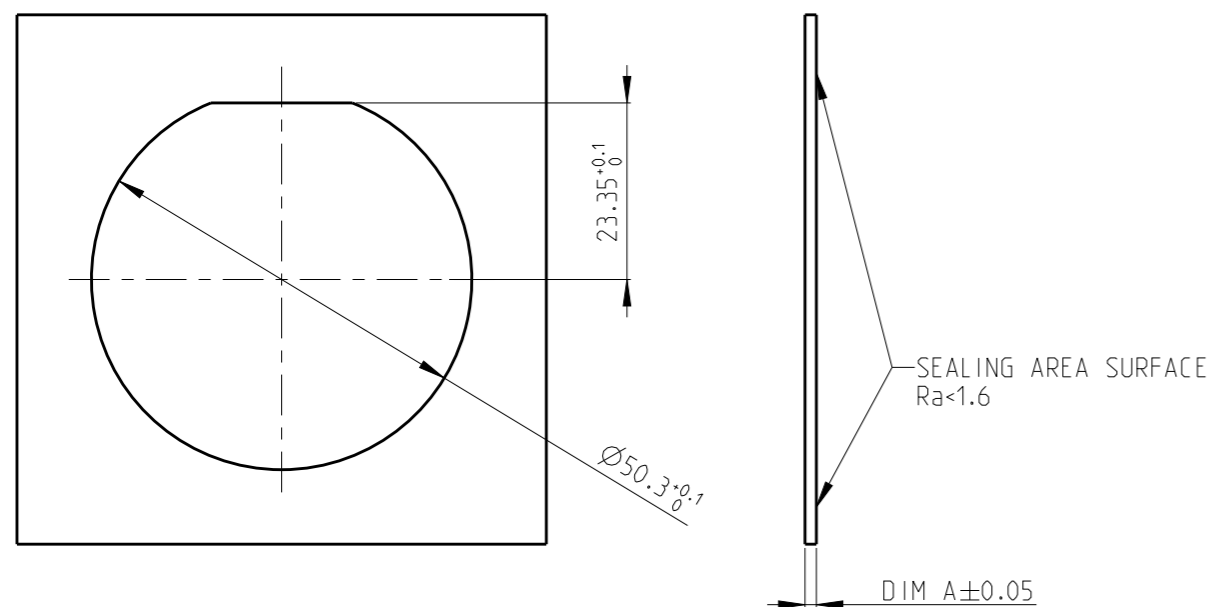
REVISIONS

| P | LTR | DESCRIPTION | DATE | DWN | APVD |
|---|-----|-------------------|-----------|-----|------|
| | A | RELEASED | 05MAR2020 | X.L | I.Y |
| | B | SEE ECR-20-017293 | 27NOV2020 | L.G | I.Y |
| | | | | | |
| | | | | | |



1. MATERIAL: PBT GF30 ,COLOR SEE TABLE
2. PRODUCT IS USED WITH THROUGH WALL CONNECTOR X-2366509-X

RECOMMENDED WALL INTERFACE



| | | |
|-----------|--------|------------------------------|
| 2366517-4 | BLUE | 4.0±0.05 |
| 2366517-3 | GREEN | 3.5±0.05 |
| 2366517-2 | GRAY | 3.0±0.05 |
| 2366517-1 | YELLOW | 1.5±0.05 |
| TE PN | COLOR | WALL THICKNESS DIM A±0.05 |

THIS DRAWING IS A CONTROLLED DOCUMENT.

| | | |
|------------------|-------|-----------|
| DWN | X.LI | 19FEB2020 |
| CHK | W.WU | 02MAR2020 |
| APVD | I.YIN | 05MAR2020 |
| PRODUCT SPEC | - | - |
| APPLICATION SPEC | - | - |
| WEIGHT | - | - |



| DIMENSIONS: | TOLERANCES UNLESS OTHERWISE SPECIFIED: |
|-------------|--|
| mm | |
| 0 PLC | ± |
| 1 PLC | ± |
| 2 PLC | ± |
| 3 PLC | ± |
| 4 PLC | ± |
| ANGLES | ± |
| MATERIAL | FINISH |
| - | - |
| - | - |

| | | | |
|---------------------------------------|-----------|------------|--------------------|
| NAME FIX RING NTS 48P CONNECTOR | | | |
| SIZE | CAGE CODE | DRAWING NO | RESTRICTED TO |
| A3 | - | ©=2366517 | - |
| CUSTOMER DRAWING | | SCALE 1:1 | SHEET 1 OF 1 REV B |

X-ON Electronics

Largest Supplier of Electrical and Electronic Components

Click to view similar products for [Terminals category](#):

Click to view products by [TE Connectivity manufacturer](#):

Other Similar products are found below :

[00-054007-01074-6](#) [00-054007-70206-1](#) [00-054007-70210-8](#) [00-054007-70217-7](#) [00-054007-70228-3](#) [00-054007-70256-6](#) [00-054007-70316-7](#) [00-054007-49560-4](#) [00-054007-70209-2](#) [00-054007-70231-3](#) [00-054007-70241-2](#) [00-054007-70242-9](#) [00-054007-70246-7](#) [00-054007-70263-4](#) [00-054007-70288-7](#) [00-054007-70290-0](#) [00-054007-70300-6](#) [00-054007-70304-4](#) [01-2900-1-04412](#) [00581P0075](#) [600TS-10](#) [605601-1](#) [60598-1-CUT-TAPE](#) [60617-1-C](#) [61314-6-C](#) [61810-3](#) [62149-1](#) [626-0194](#) [63-S](#) [M55155/059I03](#) [M55155/079C01](#) [M55155/099B03](#) [M55155/099H02](#) [M55155/109H01](#) [M55155/12XH05](#) [M55155/29-5S](#) [M55155/29XJ08](#) [M55155/30-6S](#) [M55155/30-9S](#) [M55155/30XI09](#) [M6-14RSX](#) [696683-1](#) [696861-1](#) [696999-1](#) [M86700006](#) [D18-110B-C](#) [D18-110B-M](#) [701-1936](#) [701-1955](#) [701-2003](#)