

4

3

2

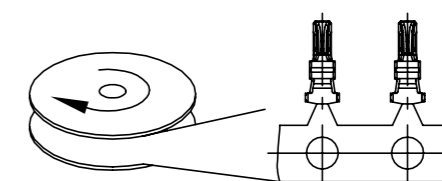
1

© - TE Connectivity. All Rights Reserved.

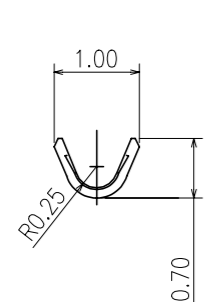
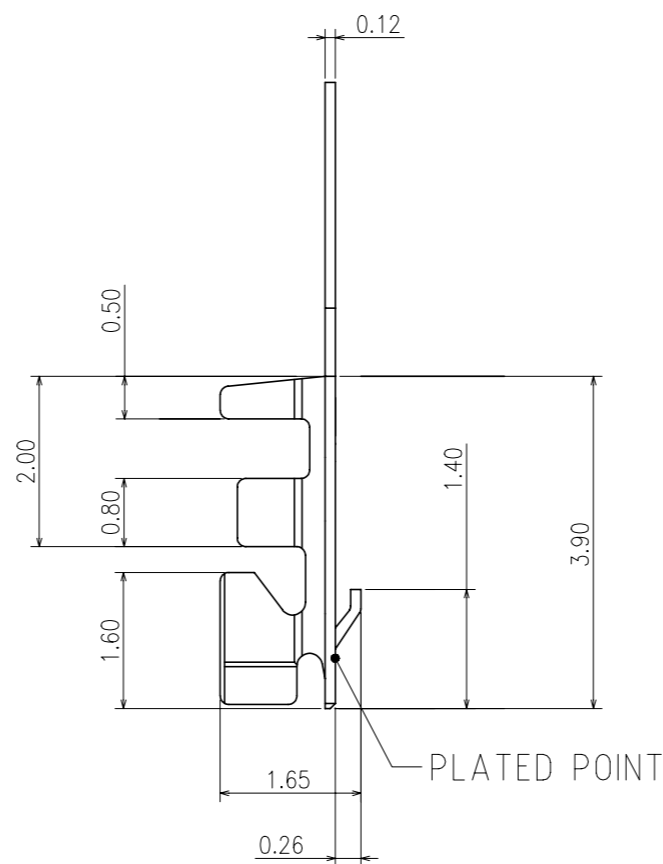
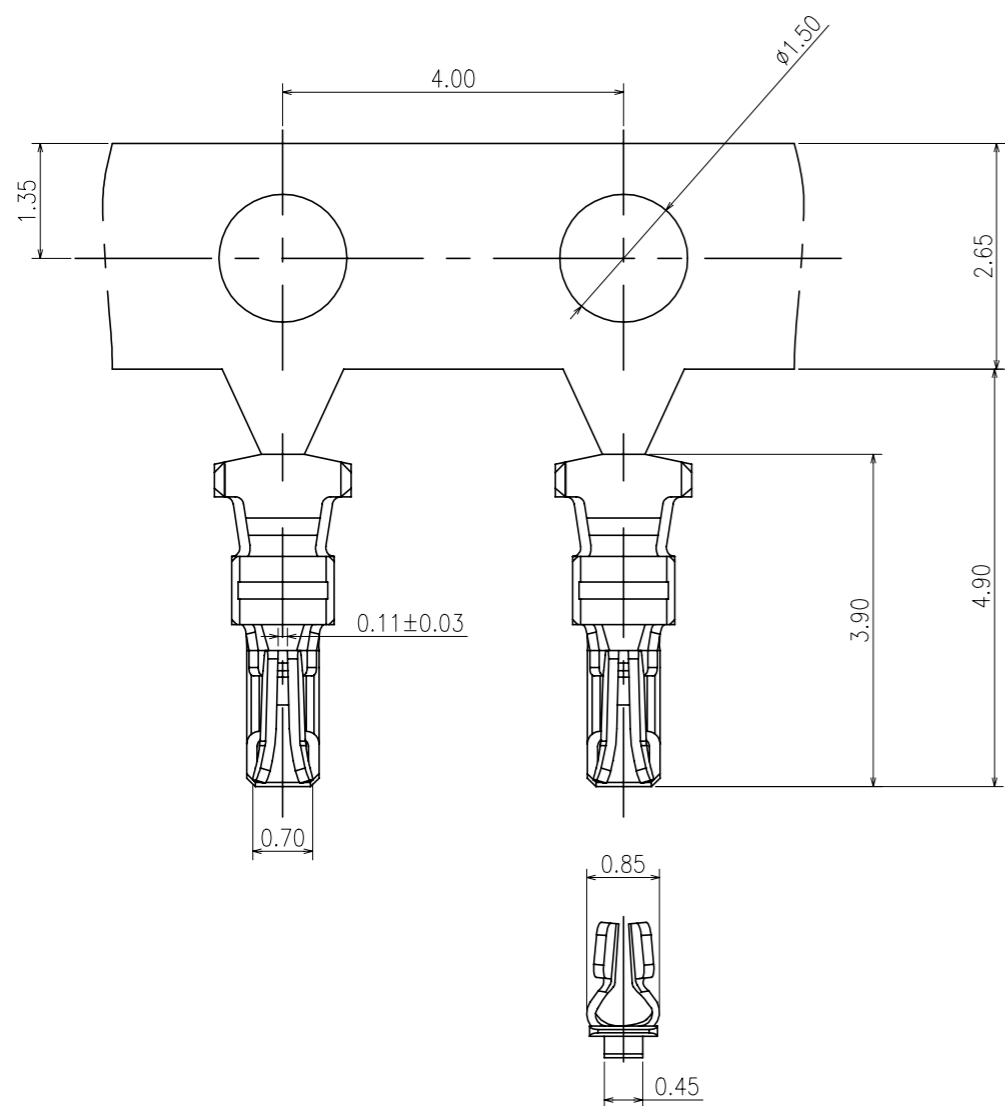
REVISIONS

P	LTR	DESCRIPTION	DATE	DWN	APVD
	A	REVISED	19AUG2020	J.J	W.H

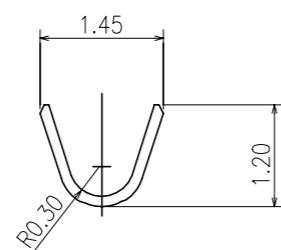
- NOTES:
 1. MATERIAL:PHOSPHOR BRONZE ,THICKNESS 0.12±0.02
 2. PLATING
 TYPE A: 50u"MIN NICKEL UNDER PLATING
 100u" MIN PURE TIN (LEAD FREE) OVER ALL.
 TYPE B: 50u"MIN NICKEL UNDER PLATING
 GOLD FLASH ON CONTACT AREA.
 3. Q'TY: 15K pcs/roll..



ROLL DIRECTION



WIRE BARREL



INSULATION BARREL

2367199-2	2367199-1
TYPE B	TYPE A
PLATING SPEC	
P/N	

THIS DRAWING IS A CONTROLLED DOCUMENT.		DWN Tommy Qian 18DEC2019	TE TE Connectivity	
DIMENSIONS: mm		CHK Wenke He		
TOLERANCES UNLESS OTHERWISE SPECIFIED:		APVD Wenke He	NAME	
0 PLC ± 0.5		PRODUCT SPEC 108-115169	1.0P WT B CABLE CONTACT WITH LATCH	
1 PLC ± 0.35		APPLICATION SPEC 114-115031	-	
2 PLC ± 0.25		SIZE A3	CAGE CODE 00779	DRAWING NO C=2367199
3 PLC ± 0.15		WEIGHT	RESTRICTED TO	
4 PLC ± -		CUSTOMER DRAWING	SCALE N/A	SHEET 1 of 2
ANGLES ± -				REV A
FINISH -				
MATERIAL SEE NOTE				

4

3

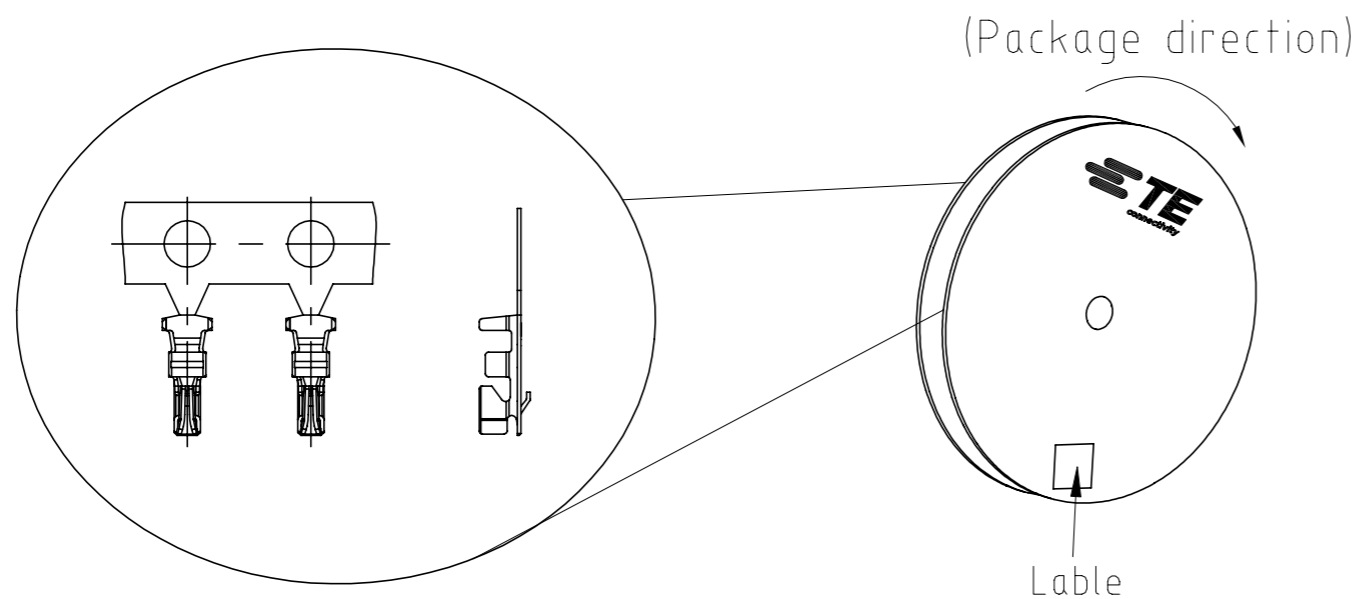
2

1

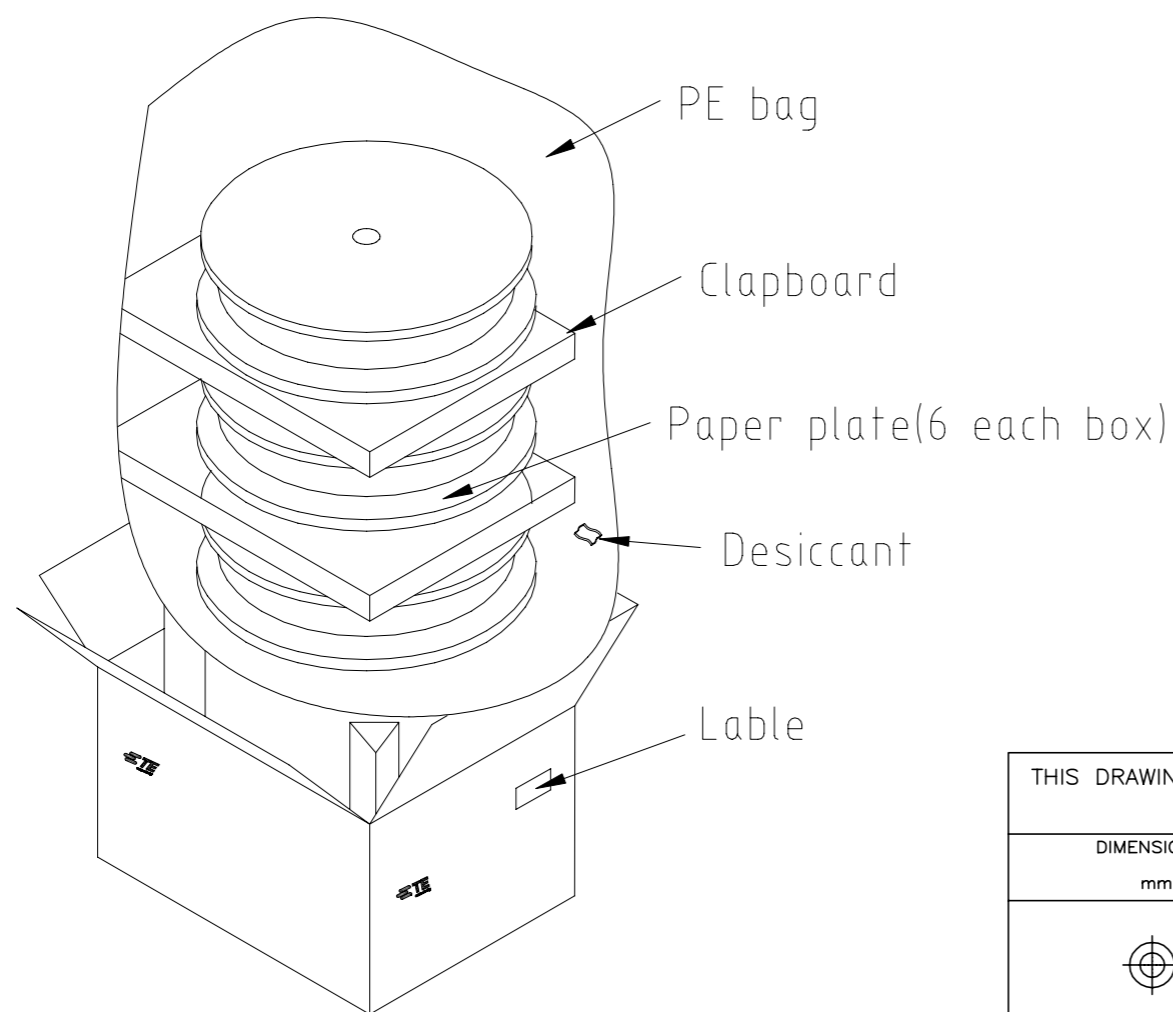
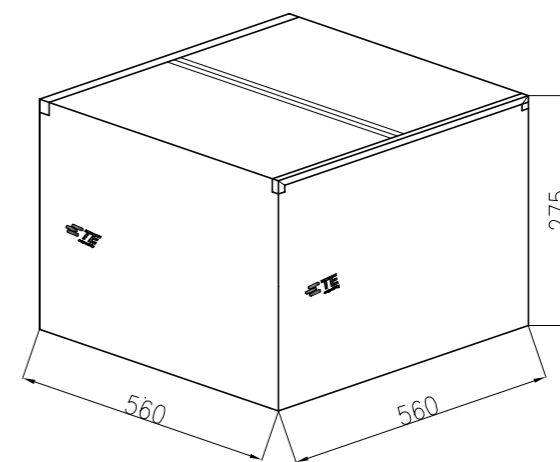
© - TE Connectivity. All Rights Reserved.

REVISIONS

P	LTR	DESCRIPTION	DATE	DWN	APVD
-	-	SEE SHEET 1	-	-	-



Notes:
Package for 2367199-x



P/N	Quantity/Plate (PCS)	Paper plate	Quantity/Box (PCS)
2367199-x	15K	550x30x25mm	90K

THIS DRAWING IS A CONTROLLED DOCUMENT.		DWN Tommy Qian 18DEC2019	TE Connectivity														
DIMENSIONS: mm		CHK Wenke He				NAME											
TOLERANCES UNLESS OTHERWISE SPECIFIED:		APVD Wenke He	PRODUCT SPEC														
<table border="0"> <tr><td>0 PLC</td><td>± 0.5</td></tr> <tr><td>1 PLC</td><td>± 0.35</td></tr> <tr><td>2 PLC</td><td>± 0.25</td></tr> <tr><td>3 PLC</td><td>± 0.15</td></tr> <tr><td>4 PLC</td><td>± -</td></tr> <tr><td>ANGLES</td><td>± -</td></tr> </table>		0 PLC	± 0.5	1 PLC	± 0.35	2 PLC	± 0.25	3 PLC	± 0.15	4 PLC	± -	ANGLES	± -	APPLICATION SPEC	108-115169		
0 PLC	± 0.5																
1 PLC	± 0.35																
2 PLC	± 0.25																
3 PLC	± 0.15																
4 PLC	± -																
ANGLES	± -																
MATERIAL SEE NOTE		FINISH -	WEIGHT	SIZE A3	CAGE CODE 00779												
CUSTOMER DRAWING			DRAWING NO C=2367199	RESTRICTED TO -	SCALE N/A												
			SHEET 2 of 2	REV A													

X-ON Electronics

Largest Supplier of Electrical and Electronic Components

Click to view similar products for [Headers & Wire Housings](#) category:

Click to view products by [TE Connectivity](#) manufacturer:

Other Similar products are found below :

[892-18-020-10-001101](#) [58102-G61-06LF](#) [582553-1](#) [0009485154](#) [009176003701906](#) [0050291907](#) [LY20-4P-DT1-P1E-BR](#) [02.125.8002.8](#)
[609-3404](#) [61062-3](#) [61082-181009](#) [622-3653LF](#) [63453-116](#) [636-1030](#) [636-1427](#) [636-3427](#) [636-4007](#) [641938-9](#) [641991-4](#) [644827-2](#) [65817-](#)
[010LF](#) [65817-015LF](#) [65863-015LF](#) [66207-023LF](#) [67095-007LF](#) [67601157](#) [68645-018](#) [68648-049](#) [70.362.1628.0](#) [70-4210](#) [70-4226B](#) [70-](#)
[4853B](#) [707-5020](#) [707-5028](#) [71.350.2428.0](#) [71918-208LF](#) [71961-016LF](#) [733-134](#) [733-162](#) [754199-000](#) [760-3052](#) [79531-3000](#) [FCN-](#)
[360C032-B](#) [FCN-367T-T012/H](#) [FCN-723D010/2](#) [80.063.4001.1](#) [800-90-010-10-002000](#) [801-43-002-10-013000](#) [801-43-006-10-002000](#)
[801-93-011-10-001000](#)