

4

3

2

1

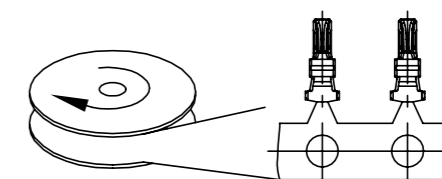
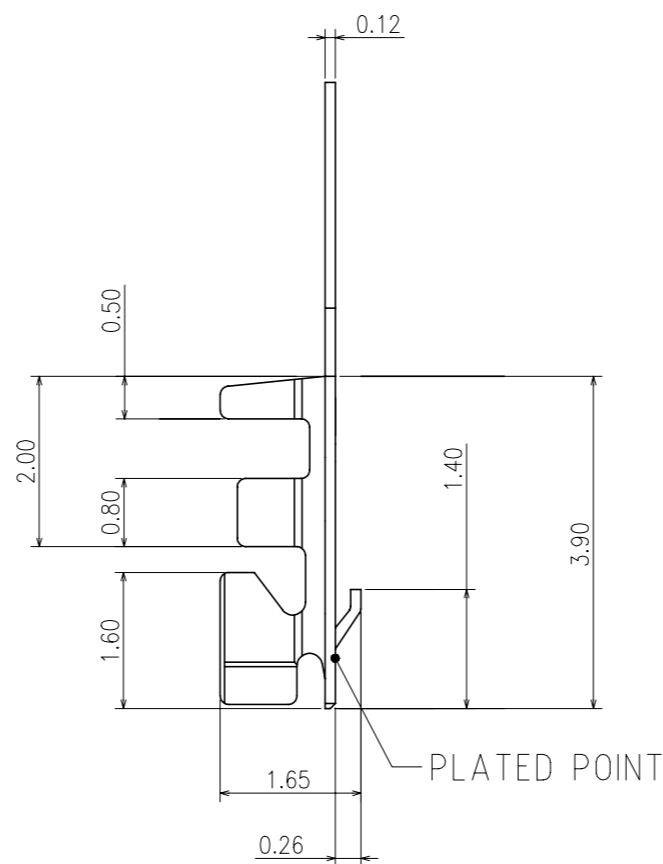
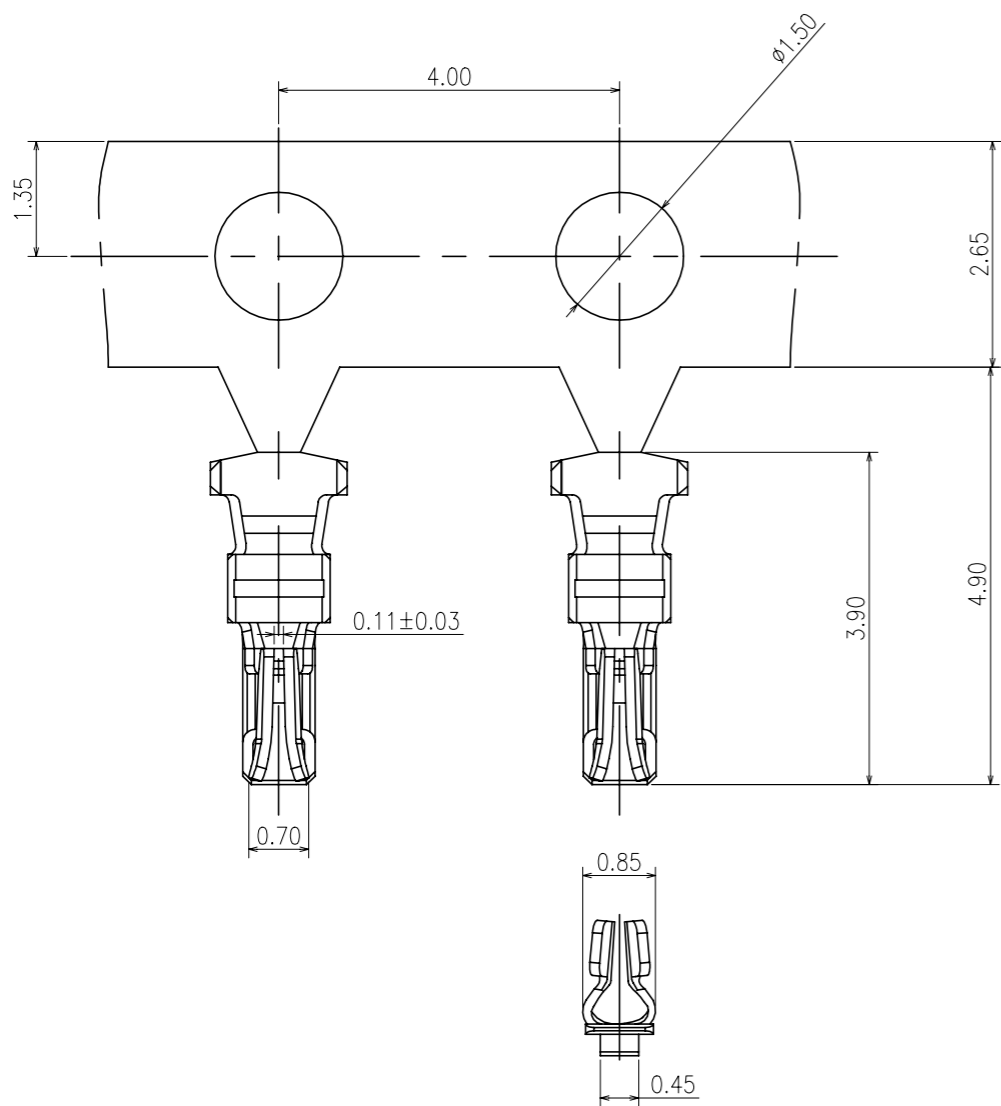
© - TE Connectivity. All Rights Reserved.

REVISIONS

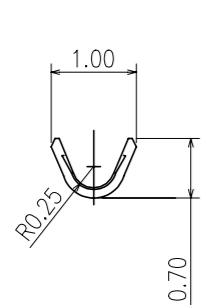
P	LTR	DESCRIPTION	DATE	DWN	APVD
	A	REVISED	19AUG2020	J.J	W.H

NOTES:

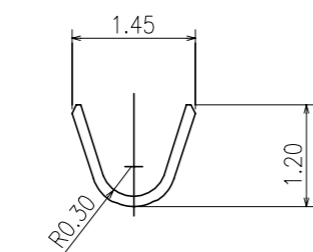
- 1. MATERIAL: PHOSPHOR BRONZE, THICKNESS 0.12±0.02
- 2. PLATING
 TYPE A: 50u"MIN NICKEL UNDER PLATING
 100u" MIN PURE TIN (LEAD FREE) OVER ALL.
 TYPE B: 50u"MIN NICKEL UNDER PLATING
 GOLD FLASH ON CONTACT AREA.
- 3. Q'TY: 15K pcs/roll..



ROLL DIRECTION



WIRE BARREL



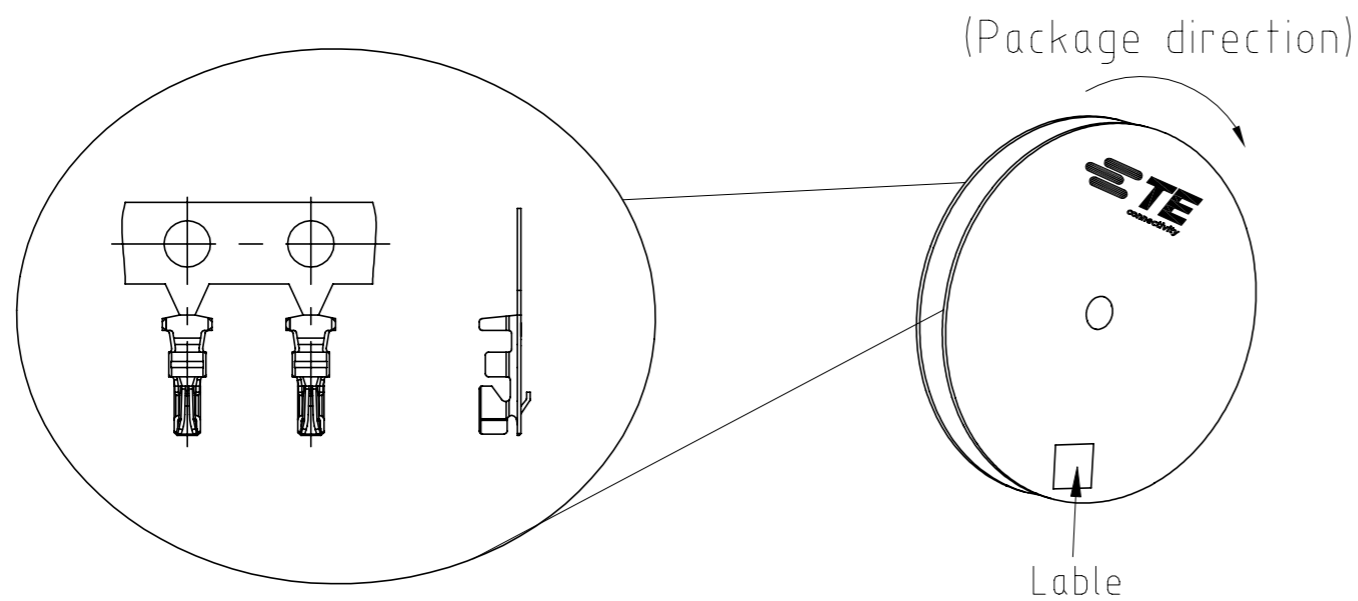
INSULATION BARREL

2367199-2	2367199-1
TYPE B	TYPE A
PLATING SPEC	
P/N	

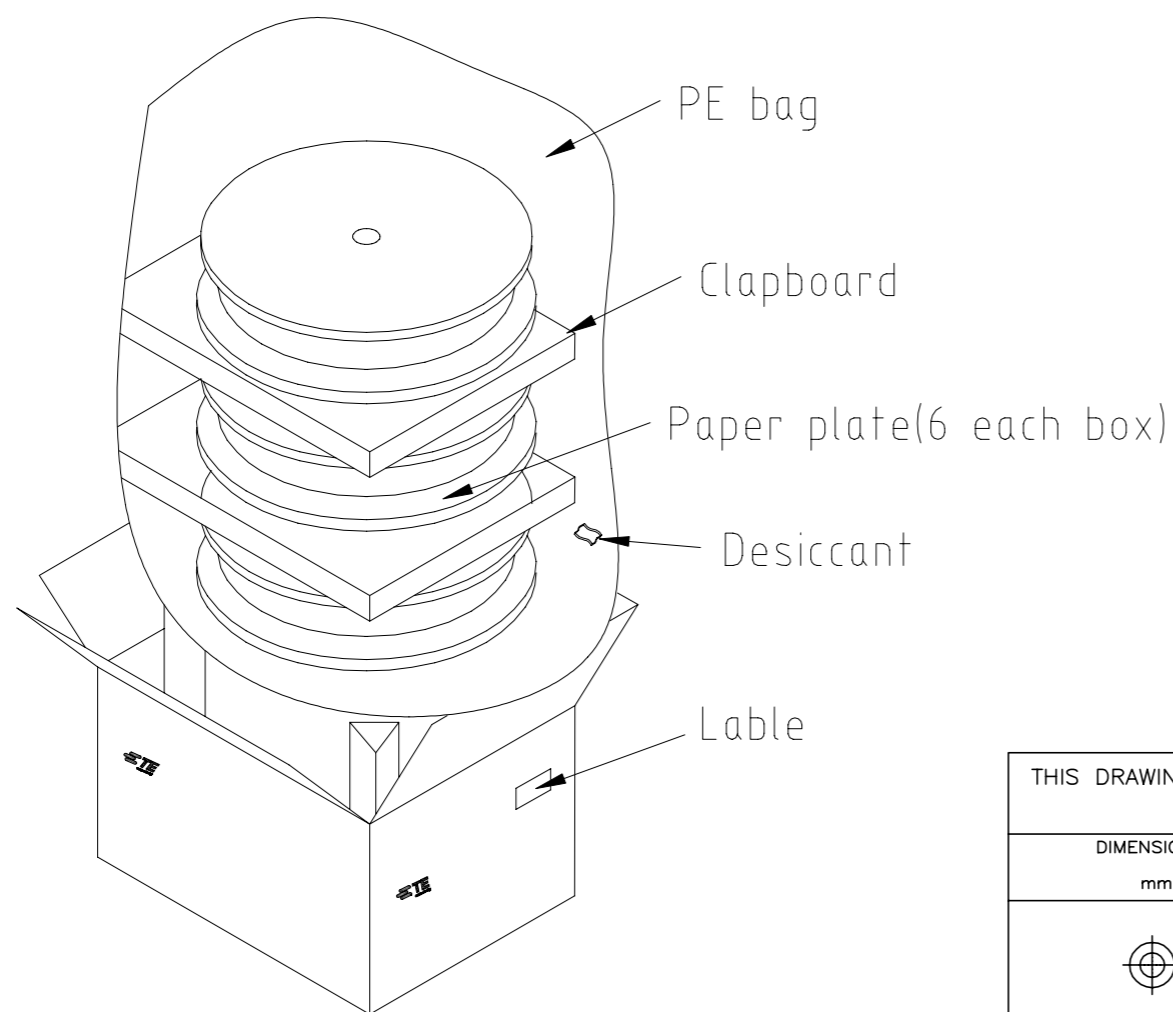
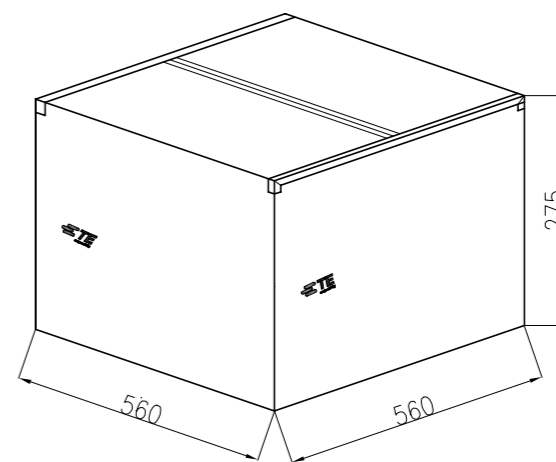
THIS DRAWING IS A CONTROLLED DOCUMENT.		DWN Tommy Qian 18DEC2019	TE TE Connectivity	
DIMENSIONS: mm		CHK Wenke He		
TOLERANCES UNLESS OTHERWISE SPECIFIED:		APVD Wenke He	NAME	
0 PLC ± 0.5		PRODUCT SPEC 108-115169	1.0P WT B CABLE CONTACT WITH LATCH	
1 PLC ± 0.35		APPLICATION SPEC 114-115031	SIZE A3	RESTRICTED TO
2 PLC ± 0.25		WEIGHT	CAGE CODE 00779	DRAWING NO C=2367199
3 PLC ± 0.15		MATERIAL SEE NOTE	SCALE N/A	SHEET 1 of 2
4 PLC ± -		FINISH -	REV A	
ANGLES ± -		CUSTOMER DRAWING		

REVISIONS

P	LTR	DESCRIPTION	DATE	DWN	APVD
-	-	SEE SHEET 1	-	-	-



Notes:
Package for 2367199-x



P/N	Quantity/Plate (PCS)	Paper plate	Quantity/Box (PCS)
2367199-x	15K	550x30x25mm	90K

THIS DRAWING IS A CONTROLLED DOCUMENT.		DWN Tommy Qian 18DEC2019	STE TE Connectivity		
DIMENSIONS: mm		CHK Wenke He			
TOLERANCES UNLESS OTHERWISE SPECIFIED:		APVD Wenke He	1.0P WTB CABLE CONTACT WITH LATCH		
0 PLC ± 0.5		PRODUCT SPEC 108-115169	-		
1 PLC ± 0.35		APPLICATION SPEC 114-115031	SIZE A3	CAGE CODE 00779	DRAWING NO C=2367199
2 PLC ± 0.25		MATERIAL SEE NOTE	RESTRICTED TO		-
3 PLC ± 0.15		FINISH -	SCALE N/A		SHEET 2 of 2
4 PLC ± -		CUSTOMER DRAWING	REV A		
ANGLES ± -					

X-ON Electronics

Largest Supplier of Electrical and Electronic Components

Click to view similar products for [Headers & Wire Housings](#) category:

Click to view products by [TE Connectivity](#) manufacturer:

Other Similar products are found below :

[892-18-020-10-001101](#) [58102-G61-06LF](#) [582553-1](#) [0009485154](#) [009176003701906](#) [0050291907](#) [LY20-4P-DT1-P1E-BR](#) [02.125.8002.8](#)
[609-3404](#) [61062-3](#) [61082-181009](#) [622-3653LF](#) [63453-116](#) [636-1030](#) [636-1427](#) [636-3427](#) [636-4007](#) [641938-9](#) [641991-4](#) [644827-2](#) [65817-](#)
[010LF](#) [65817-015LF](#) [65863-015LF](#) [66207-023LF](#) [67095-007LF](#) [67601157](#) [68645-018](#) [68648-049](#) [70.362.1628.0](#) [70-4210](#) [70-4226B](#) [70-](#)
[4853B](#) [707-5020](#) [707-5028](#) [71.350.2428.0](#) [71918-208LF](#) [71961-016LF](#) [733-134](#) [733-162](#) [754199-000](#) [760-3052](#) [787-8014-00](#) [79531-3000](#)
[FCN-360C032-B](#) [FCN-367T-T012/H](#) [FCN-723D010/2](#) [80.063.4001.1](#) [800-90-001-10-001000](#) [800-90-010-10-002000](#) [801-43-002-10-013000](#)