

© 2020 TE Connectivity. All Rights Reserved.

REVISIONS

P	LTR	DESCRIPTION	DATE	DWN	APVD
A		REVISED PER ECR-20-002493	11FEB2020	GK	OD

ITEM NO	PARTNUMBER	DESCRIPTION	ITEM NO
1	2367322-1	ROT-T*072-B1 A0281-B301 without cap	2
1	2341281-1	Gehäuse kpl. / Bauform T2	1
2367237-1	PARTNUMBER	DESCRIPTION	ITEM NO
REVISION OF EACH ASSY NO. (WHEN BLANK, USE DWG. REVISION)			
PARTS LIST			

Ø50h7 +0
-0.025

Achtung:
Jeweils die angegebenen Aderpaare einmal auf 25mm
verseilen : blau und gelb / rot und schwarz /
rotweiss und gelbweiss

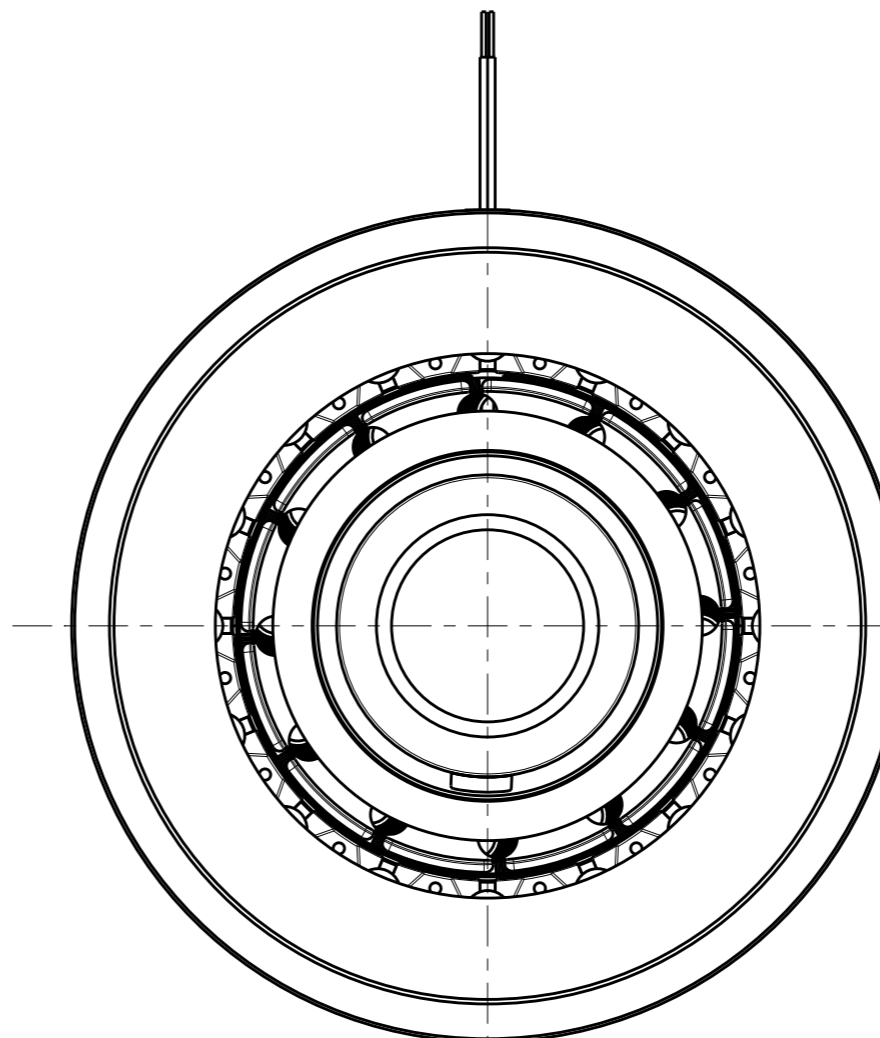
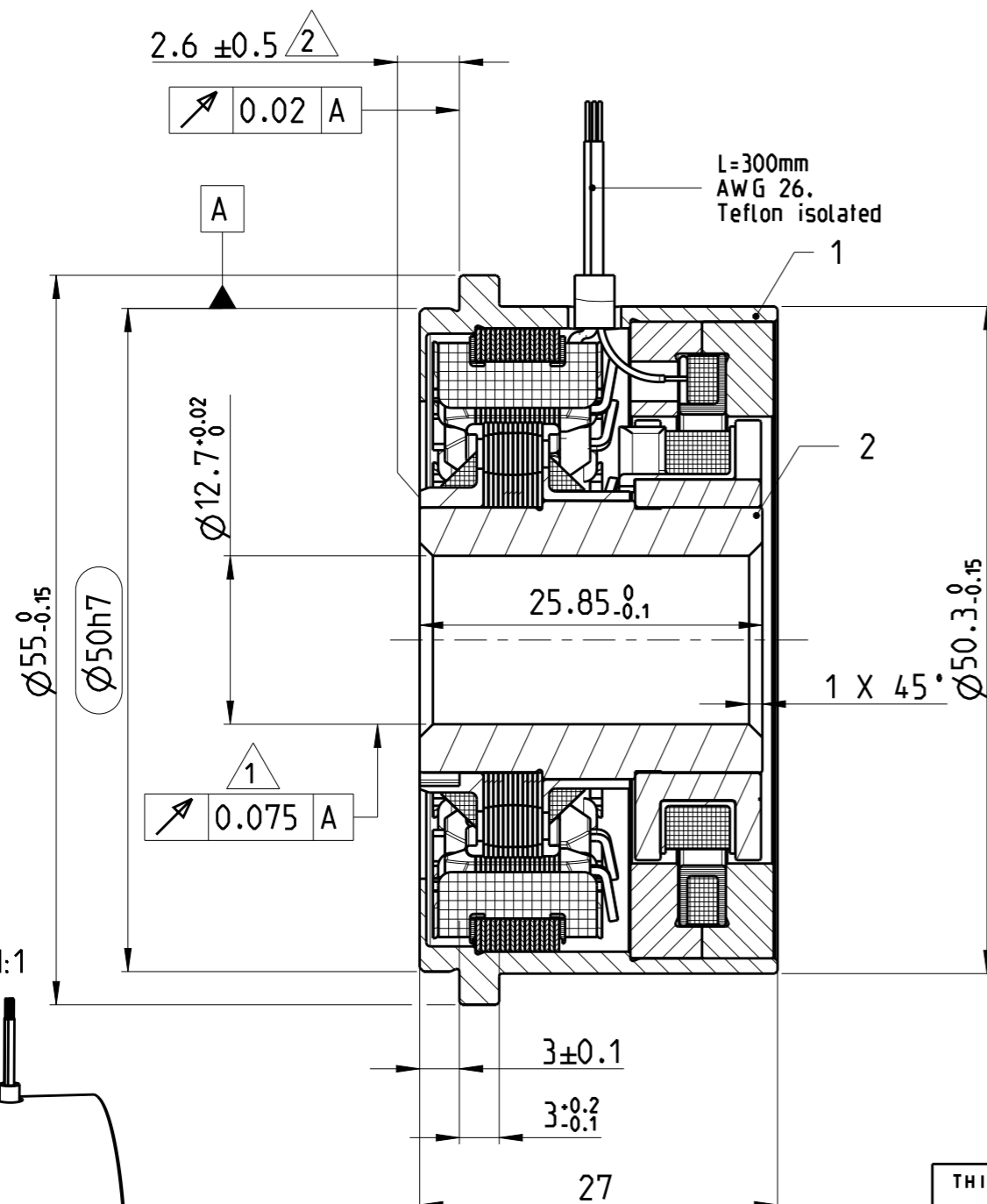
Attention:
The specified cable pairs have to twist once at 25mm :
blue and yellow / red and black /
red-white and yellow-white

Resolverstator u.-rotor nur paarig verwenden !

Use only paired stator and rotor !

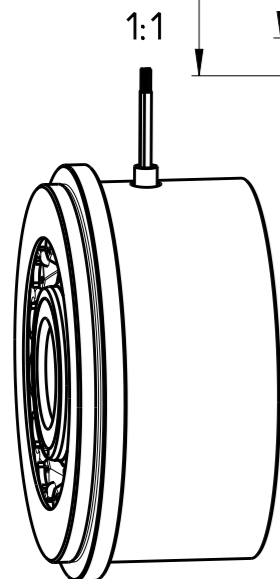
1 Gesamtschlag im eingebauten Zustand
concentricity in installed situa


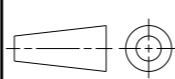
2 Axialversatz
axial displacement



Signal	conductor colouring
S1(COS+)	RED
S2(SIN+)	YELLOW
S3(COS-)	BLACK
S4(SIN-)	BLUE
R1(REF+)	RED-WHITE
R2/R3(REF-)	YELLOW-WHITE

DIMENSIONS WITHOUT TOLERANCES : DIN ISO 2768-m



THIS DRAWING IS A CONTROLLED DOCUMENT.		DWN 20 JAN 2020 GOPALAKRISHNA HV	 TE Connectivity	
		CHK 20 JAN 2020 SARFAZ BIHAL		
		APVD 20 JAN 2020 ONDREJ DUSAN	NAME HOLLOW SHAFT RESOLVER / SZ.21 TYPE T2 CrMo V23401-T2072-B101	
DIMENSIONS: mm		TOLERANCES UNLESS OTHERWISE SPECIFIED:	APPLICATION SPEC	
		0 PLC ±	-	
		1 PLC ±	-	
		2 PLC ±	-	
		3 PLC ±	-	
		4 PLC ±	-	
		ANGLES ±°	-	
MATERIAL		FINISH	WEIGHT	
-		-	-	
			CUSTOMER DRAWING	
			SIZE A3	CAGE CODE 00779
			DRAWING NO C-2367237	
			SCALE 2:1	SHEET 1 OF 1
			REV A	

X-ON Electronics

Largest Supplier of Electrical and Electronic Components

Click to view similar products for [Industrial Motion & Position Sensors](#) category:

Click to view products by [TE Connectivity](#) manufacturer:

Other Similar products are found below :

[595002M9474](#) [01071901](#) [D02318603](#) [70U1N048S104U](#) [FE-41164](#) [G8652](#) [G8744](#) [GA1T040F103UA](#) [GA1T100F502UA-A](#)
[GA2E056P102UA](#) [GA2G140F252UA-A](#) [GA2T044S103UA-B](#) [GPS8627](#) [GS2T032F253BA](#) [GS4P048F503UC](#) [GS4T040F503UC](#) [GS8367B](#)
[GS8819](#) [9811405](#) [RDC1010A12](#) [JA3G032P501UA-A](#) [KJ5-M18MB60-AZS](#) [27M226](#) [9810825](#) [9870706](#) [F07008036](#) [SPSN048P202U](#)
[F65118112](#) [GA2G042F103UA](#) [GA2M028S102MC](#) [GA2M028S502RA](#) [GA2T056F502UA](#) [GH8810](#) [25M921](#) [GS8368B](#) [CM47070](#)
[CR121250](#) [31M573](#) [380000M8643](#) [385500M9303](#) [388037M6962](#) [388281M9646](#) [388517025480039](#) [388580038670069](#) [388818078120022](#)
[388860073800031](#) [388C11M9548](#) [388C24160090003](#) [389504075810001](#) [389767001230861](#)