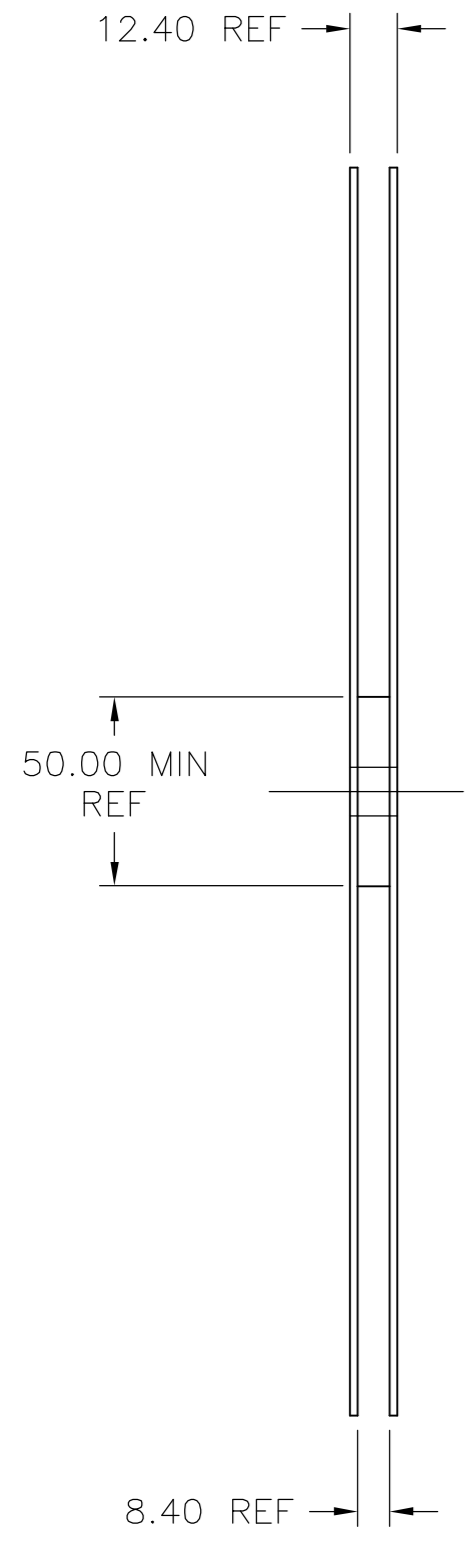


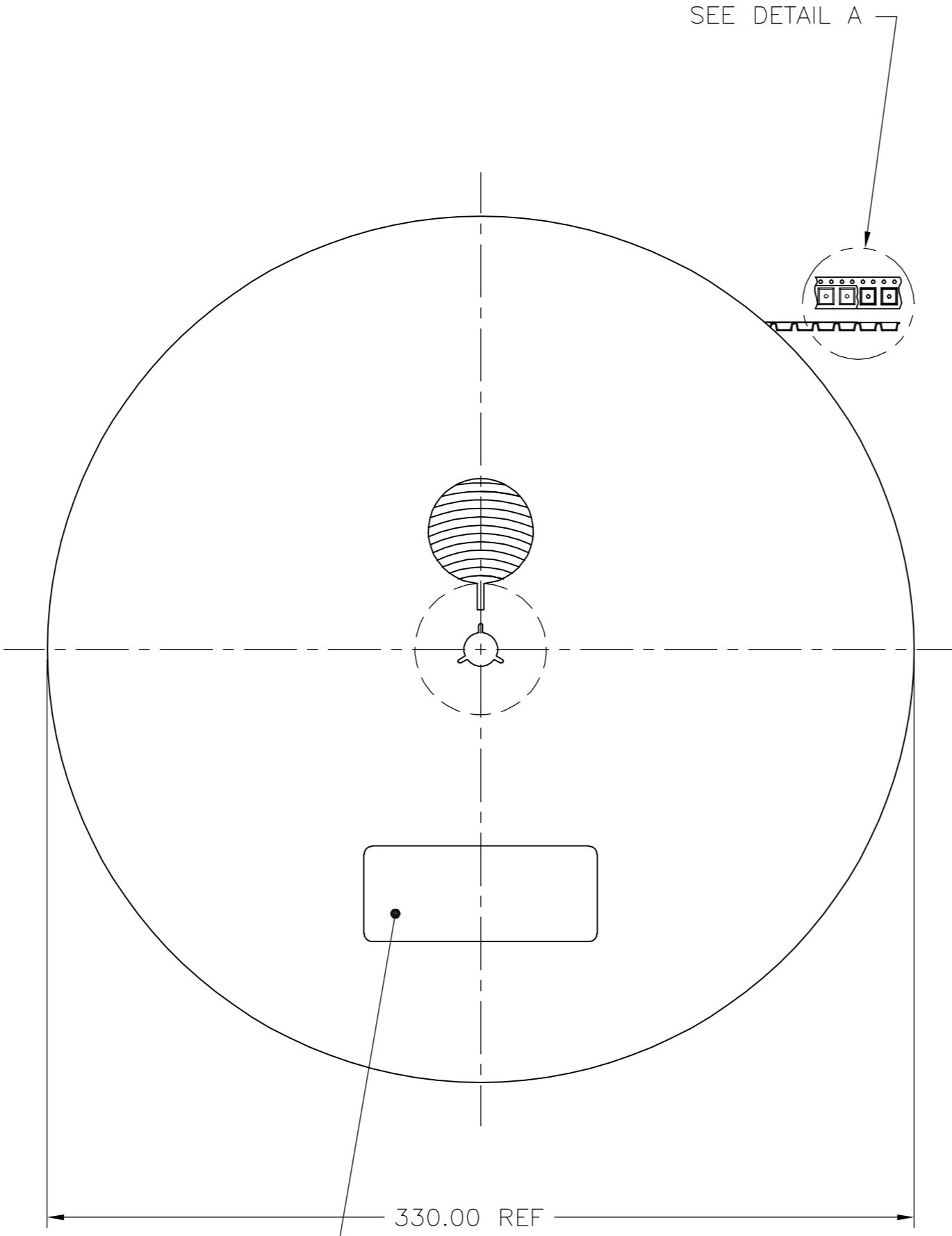
THIS DRAWING IS UNPUBLISHED. RELEASED FOR PUBLICATION  
 © COPYRIGHT BY TYCO ELECTRONICS CORPORATION. ALL RIGHTS RESERVED.

LOC	DIST	REVISIONS			
P	LTR	DESCRIPTION	DATE	DWN	APVD
AJ	17	C	REVISED PER EC OS14-0016-05	27JAN05	BM KW

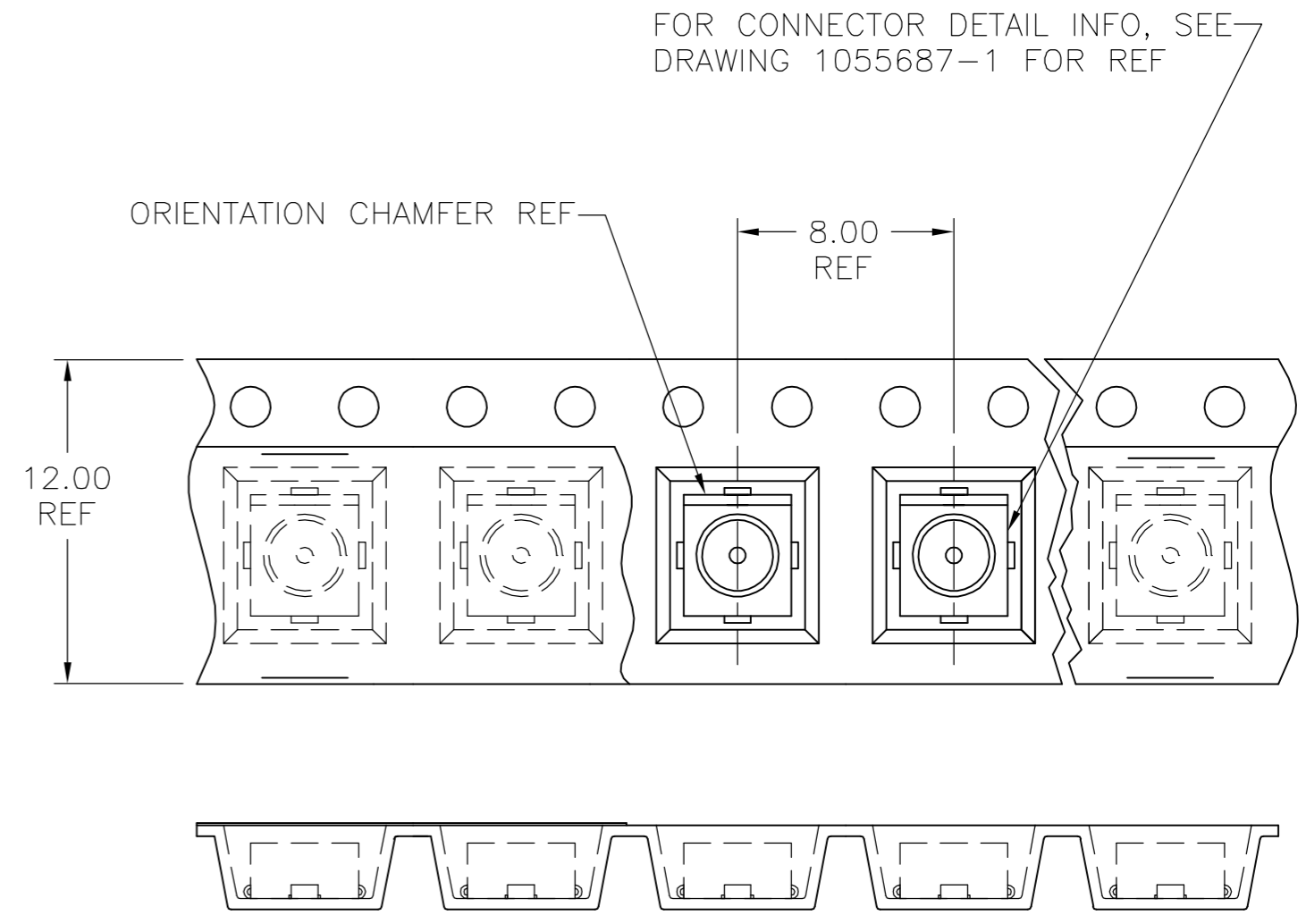
1. TAPE, REEL, AND TAPING SHALL MEET THE REQUIREMENTS OF EIA-481-1.
  2. EMBOSSED TAPE SHALL BE CONDUCTIVE TYPE.
  3. FOR PART ORIENTATION IN TAPE SEE DETAIL A.
  4. REEL SHALL CONTAIN 3000 PIECES.
- 5 REEL IDENTIFICATION LABEL SHALL BE PRINTED WITH REEL P/N, MANUFACTURER, QTY, AND TAPING DATE AS A MINIMUM.



TAPE NOT SHOWN IN THIS VIEW FOR CLARITY.



5 REEL IDENTIFICATION LABEL REF

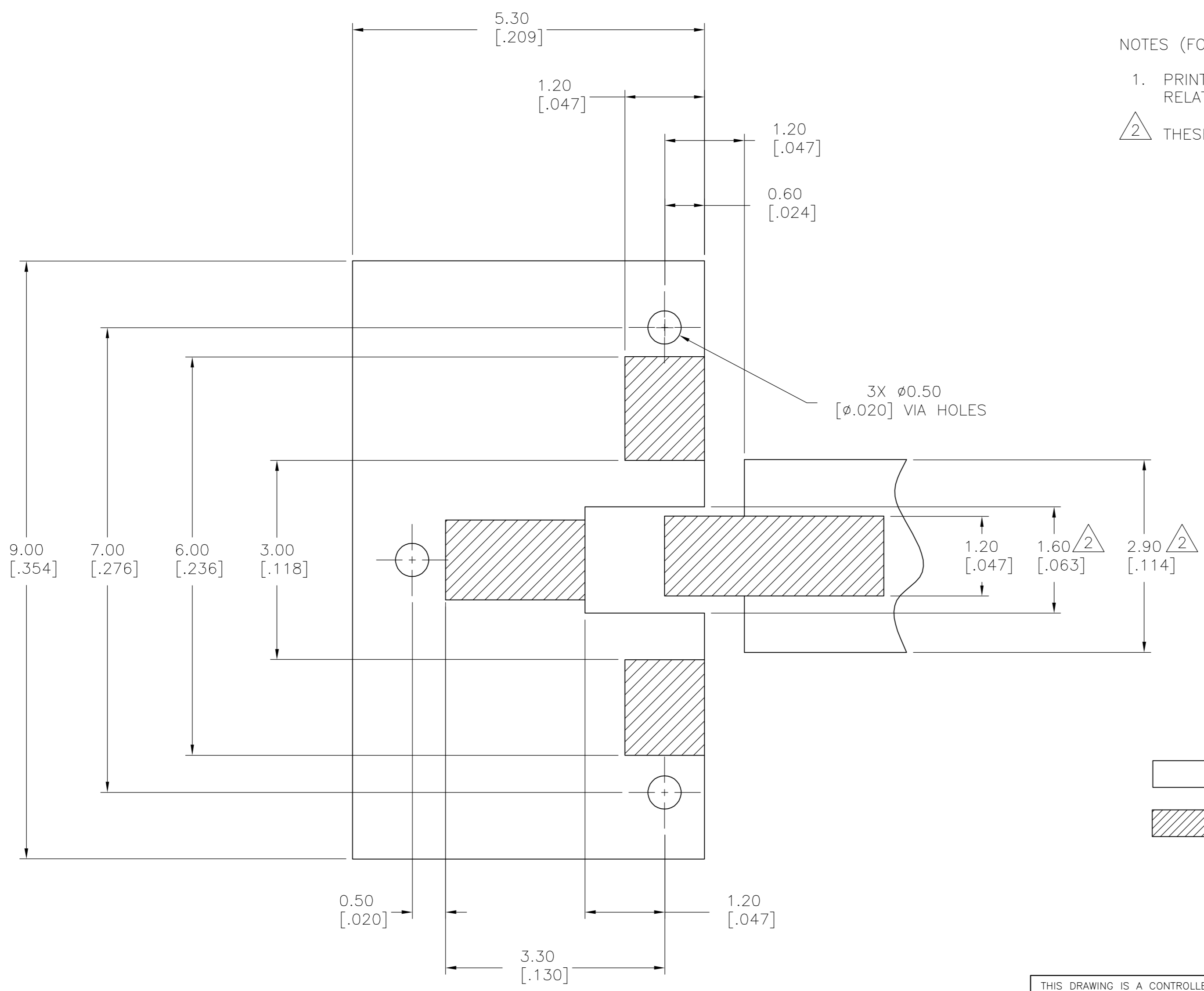


1055689-1  
PART NUMBER

THIS DRAWING IS A CONTROLLED DOCUMENT.		DWN P. RESNICK	12MAY92	<b>tyco</b> Electronics		Tyco Electronics Corporation Harrisburg, Pa 17105-3608	
DIMENSIONS: mm [INCHES]		TOLERANCES UNLESS OTHERWISE SPECIFIED:		NAME TAPE AND REEL PACKAGING, SSMT PLUG, 330mm REEL (3000 PARTS PER REEL)		RESTRICTED TO	
0 PLC ± -		1 PLC ± -		SIZE A2		CAGE CODE 00779	
2 PLC ± -		3 PLC ± -		DRAWING NO C=1055689		SCALE 1/2:1	
4 PLC ± -		ANGLES ± -		SHEET 1 OF 2		REV C	
MATERIAL -		FINISH -		WEIGHT -		CUSTOMER DRAWING	

THIS DRAWING IS UNPUBLISHED. RELEASED FOR PUBLICATION  
 © COPYRIGHT BY TYCO ELECTRONICS CORPORATION. ALL RIGHTS RESERVED.

LOC	DIST	REVISIONS			
P	LTR	DESCRIPTION	DATE	DWN	APVD
AJ	17	SEE SHEET 1	-	-	-



NOTES (FOR PCB LAYOUT ONLY):

- PRINTED WIRING BOARD MATERIAL: GLASS EPOXY. FR-4 OR SIMILAR, RELATIVE PERMITTIVITY: 4.8oz. COPPER CLAD BOTH SIDES.
- THESE DIMENSIONS VALID FOR 1.60[.062] BOARD THICKNESS.

1 oz.[.0014] COPPER  
 AREA FREE OF SOLDER MASK

RECOMMENDED MOUNTING PATTERN FOR MICROSTRIP LINE

THIS DRAWING IS A CONTROLLED DOCUMENT.		DWN P. RESNICK	12MAY92	<b>tyco</b> Tyco Electronics Corporation	
DIMENSIONS: mm[INCHES]		CHK	APVD	Harrisburg, Pa 17105-3608	
TOLERANCES UNLESS OTHERWISE SPECIFIED:		PRODUCT SPEC		NAME TAPE AND REEL PACKAGING, SSMT PLUG, 330mm REEL (3000 PARTS PER REEL)	
0 PLC ± -		APPLICATION SPEC		SIZE	RESTRICTED TO
1 PLC ± -		WEIGHT		CAGE CODE	A2 00779 C=1055689
2 PLC ± -		CUSTOMER DRAWING		DRAWING NO	
3 PLC ± -		SCALE		SHEET	REV
4 PLC ± -		20:1		2	2
ANGLES ± -		SCALE		2	2
FINISH		SCALE		2	2
-		SCALE		2	2

1055689

## X-ON Electronics

Largest Supplier of Electrical and Electronic Components

*Click to view similar products for [RF Connectors](#) / [Coaxial Connectors](#) category:*

*Click to view products by [TE Connectivity](#) manufacturer:*

Other Similar products are found below :

[R125315120](#) [8915-1511-000](#) [89674-0827](#) [5916-1103-603](#) [6-0001-3](#) [6001-7071-019](#) [6002-7051-003](#) [6002-7551-202](#) [6059674-1](#) [619550-1](#)  
[630059-000](#) [M39012/25-0021](#) [M39012/79-3008](#) [M39030/3-01N](#) [M39030/3-03N](#) [M3933/25-36N](#) [6500-7071-046](#) [M83723/72W24576](#)  
[M83723/72W2457N](#) [6769](#) [CX050L2AQ](#) [7002-1541-010](#) [7002-1572-002](#) [7003-1572-002](#) [7010-1511-000](#) [7029-1511-060](#) [7101-1541-010](#)  
[7101-1571-002](#) [7105-1521-002](#) [7145-1521-002](#) [7209-1511-011](#) [7210-1511-015](#) [7210-1511-019](#) [7225-1512-050](#) [7242-1511-000](#) [73137-5015](#)  
[73251-0111](#) [73251-0672](#) [7325-1512-000](#) [73276-1501](#) [73366-0013](#) [73404-2300](#) [73413-6080](#) [73415-5721](#) [7405-1521-005](#) [7405-1521-802](#)  
[7406-1521-005](#) [804S01D04M040](#) [8145-1521-002](#) [81590](#)