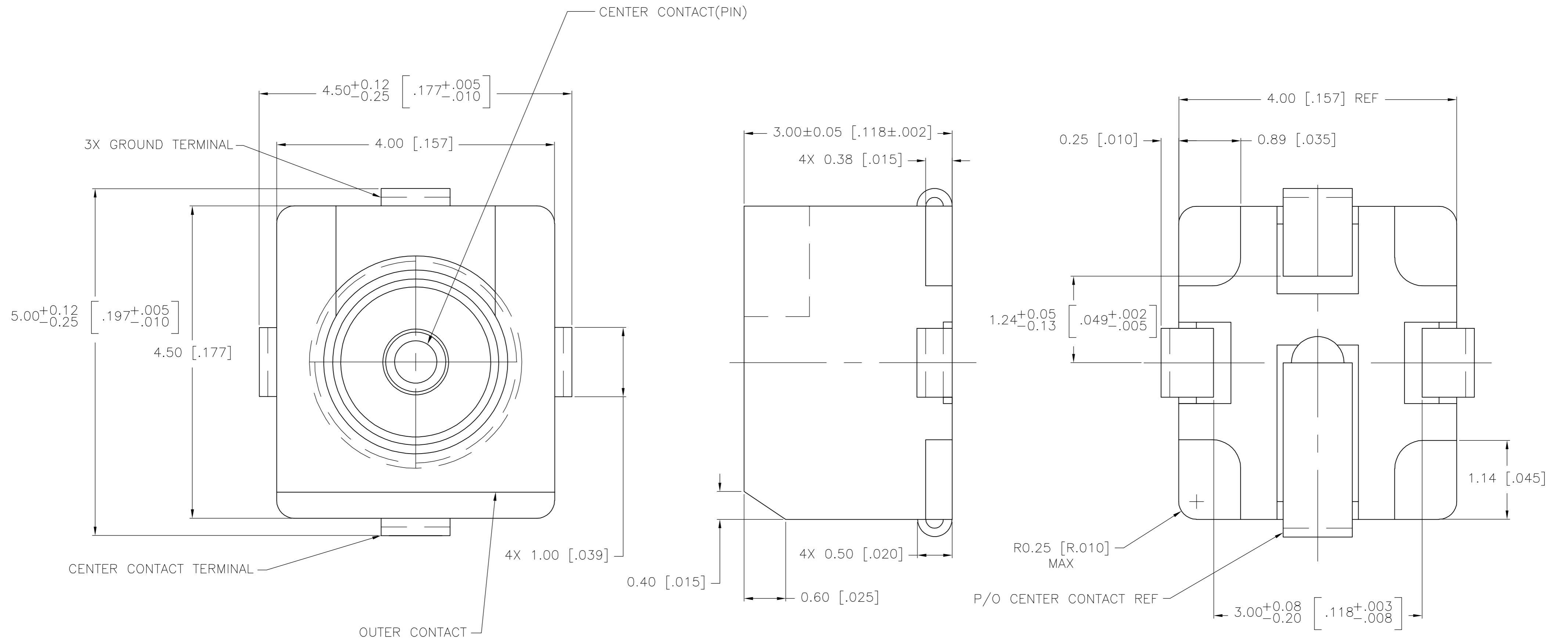


THIS DRAWING IS UNPUBLISHED. RELEASED FOR PUBLICATION  
 © COPYRIGHT BY TYCO ELECTRONICS CORPORATION. ALL RIGHTS RESERVED.

Loc		DIST		REVISIONS			
P	LTR	DESCRIPTION		DATE	DWN	APVD	
AJ	17	B		REDRAWN PER EC OS14-0016-05	26JAN05	BM	KW

- MATERIAL:  
HOUSING: POLYPHENYLENE SULFIDE.  
CONTACTS: COPPER ALLOY CDA752.
- FINISH:  
CONTACTS: GOLD PLATE OVER DUCTILE NICKEL PLATE.

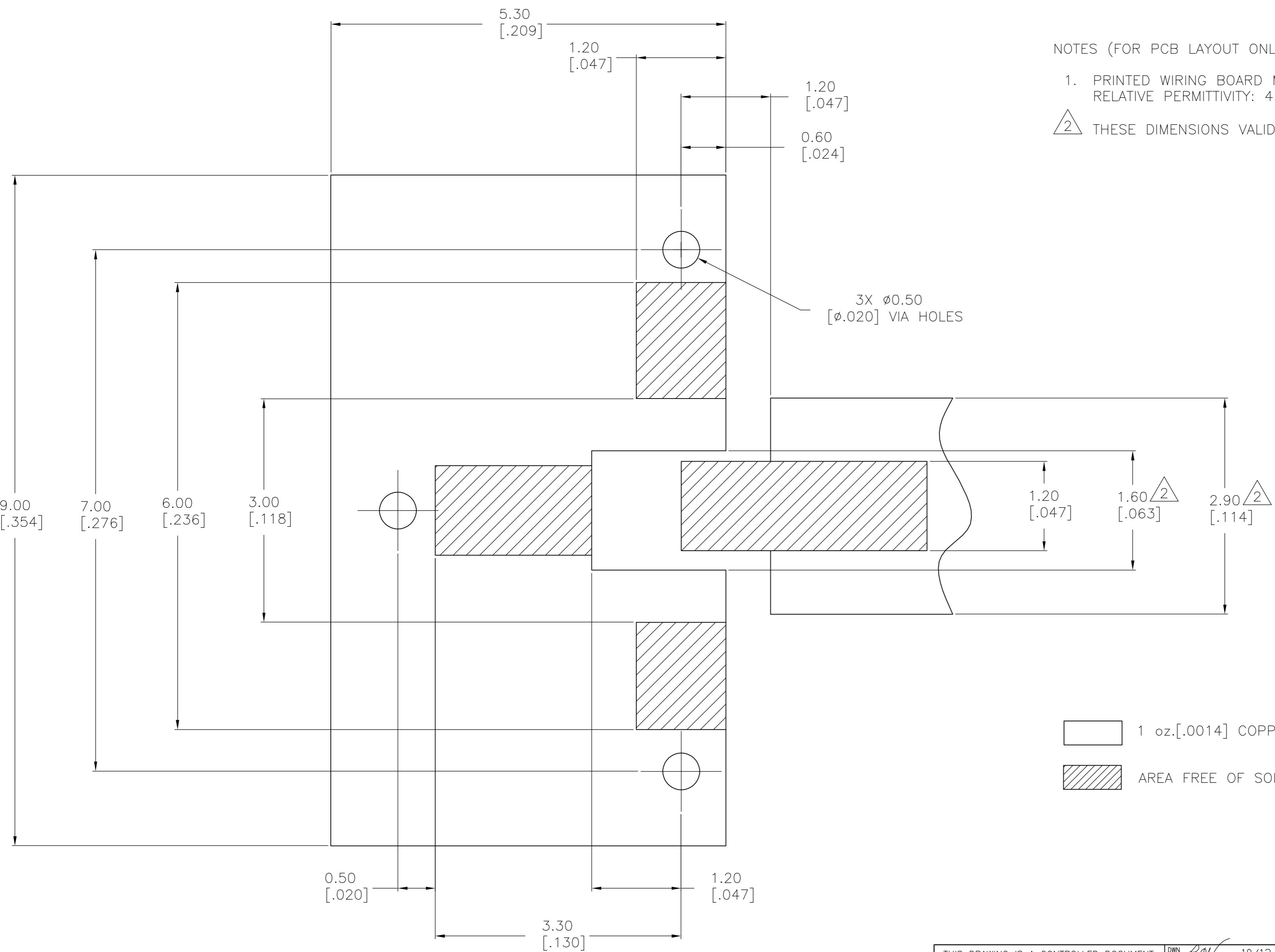


1055690-1  
PART NUMBER

THIS DRAWING IS A CONTROLLED DOCUMENT.		DWN <i>PCW</i> 10/12/94	<b>tyco</b> Tyco Electronics Corporation	
DIMENSIONS: mm[INCHES]		CHK	Harrisburg, Pa 17105-3608	
TOLERANCES UNLESS OTHERWISE SPECIFIED:		APVD <i>PCW</i> 10/12/94	NAME	
0 PLC ± -		PRODUCT SPEC	STRAIGHT OSMT PCB MOUNT PLUG RECEPTACLE	
1 PLC ± -		APPLICATION SPEC	SIZE	CAGE CODE
2 PLC ± -		WEIGHT	A2	00779
3 PLC ± 0.13[.005]		CUSTOMER DRAWING	DRAWING NO	
4 PLC ± -		SCALE	C=1055690	
ANGLES ± 1°		SHEET	RESTRICTED TO	
FINISH		1	-	
		OF	REV	
		2	B	

THIS DRAWING IS UNPUBLISHED. RELEASED FOR PUBLICATION  
 © COPYRIGHT BY TYCO ELECTRONICS CORPORATION. ALL RIGHTS RESERVED.

Loc	DIST	REVISIONS			
P	LTR	DESCRIPTION	DATE	DWN	APVD
AJ	17	SEE SHEET 1	-	-	-



NOTES (FOR PCB LAYOUT ONLY):  
 1. PRINTED WIRING BOARD MATERIAL: GLASS EPOXY, FR-4 OR SIMILAR, RELATIVE PERMITTIVITY: 4.8oz. COPPER CLAD BOTH SIDES.  
 2. THESE DIMENSIONS VALID FOR 1.60[.062] BOARD THICKNESS.

RECOMMENDED MOUNTING PATTERN FOR MICROSTRIP LINE

THIS DRAWING IS A CONTROLLED DOCUMENT.		DWN <i>PCW</i> 10/12/94	<b>tyco</b> Tyco Electronics Corporation	
DIMENSIONS: mm[INCHES]		CHK	Harrisburg, Pa 17105-3608	
TOLERANCES UNLESS OTHERWISE SPECIFIED:		APVD <i>PCW</i> 10/12/94	NAME	
0 PLC ± -		PRODUCT SPEC	STRAIGHT OSMT PCB	
1 PLC ± -		APPLICATION SPEC	MOUNT PLUG RECEPTACLE	
2 PLC ± -		WEIGHT	SIZE	RESTRICTED TO
3 PLC ± 0.13[.005]		SCALE	CAGE CODE	DRAWING NO
4 PLC ± -		CUSTOMER DRAWING	A2	00779
ANGLES ± 1°		SCALE	25:1	SHEET 2 OF 2
FINISH		SCALE	25:1	REV B
MATERIAL		SCALE	25:1	REV B
FINISH		SCALE	25:1	REV B

1055690

## X-ON Electronics

Largest Supplier of Electrical and Electronic Components

*Click to view similar products for [RF Connectors / Coaxial Connectors](#) category:*

*Click to view products by [TE Connectivity](#) manufacturer:*

Other Similar products are found below :

[8915-1511-000](#) [89674-0827](#) [6001-7071-019](#) [6002-7051-003](#) [6002-7551-202](#) [6059674-1](#) [619550-1](#) [630059-000](#) [M39030/3-01N](#) [6500-7071-046](#) [6769](#) [CX050L2AQ](#) [7002-1541-010](#) [7002-1542-011](#) [7004-1512-000](#) [7009-1511-004](#) [7010-1511-000](#) [7029-1511-060](#) [7101-1541-010](#) [7101-1571-002](#) [7145-1521-002](#) [7203-1571-003](#) [7209-1511-011](#) [7210-1511-015](#) [7210-1511-019](#) [73137-5015](#) [73216-2241](#) [73404-2300](#) [7405-1521-005](#) [7405-1521-802](#) [8527](#) [8547](#) [FS11V](#) [877931](#) [8808-1511-001](#) [9049-9513-000](#) [9074-9513-000](#) [9101-9573-002](#) [910A205F](#) [9130-9573-002](#) [PL11SC-026](#) [PL375-33](#) [PL40-5](#) [PL74C-221](#) [PL75MC-217](#) [PL803-7](#) [1200690078](#) [1-201144-1](#) [R107003010W](#) [R110A172100](#)