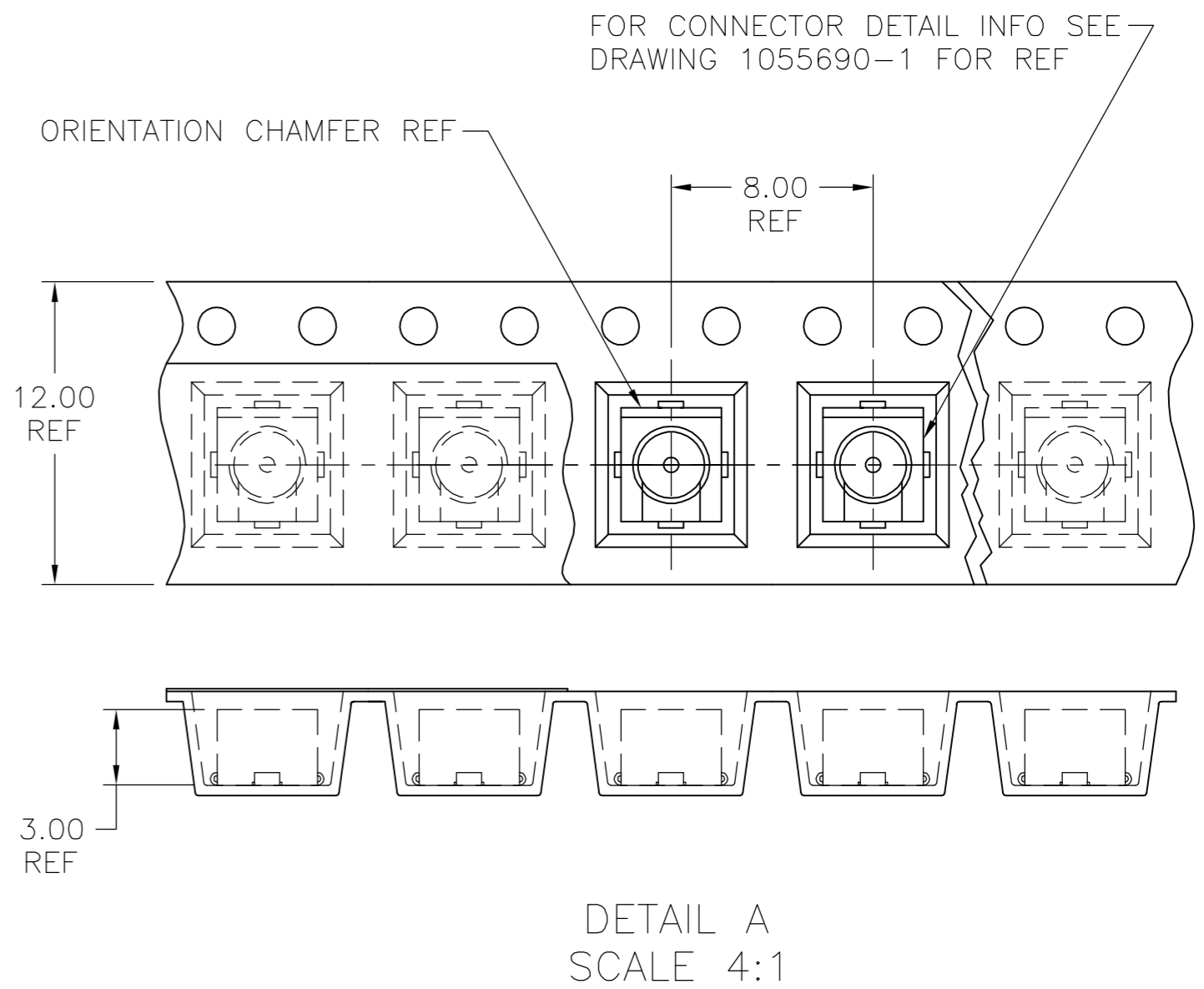
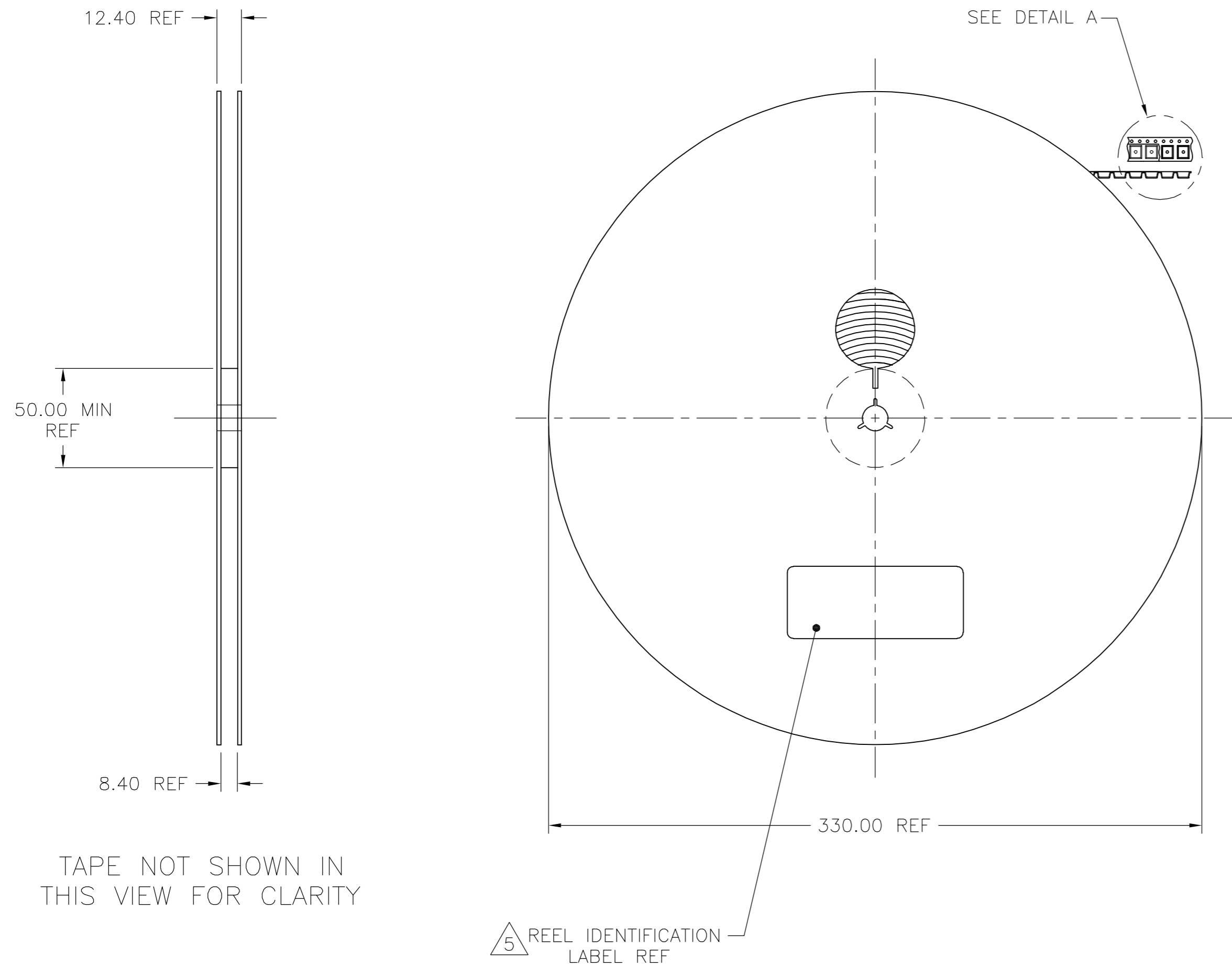


THIS DRAWING IS UNPUBLISHED. RELEASED FOR PUBLICATION  
 © COPYRIGHT BY TYCO ELECTRONICS CORPORATION. ALL RIGHTS RESERVED.

LOC	DIST	REVISIONS			
P	LTR	DESCRIPTION	DATE	DWN	APVD
AJ	17	C	REVISED PER EC OS14-0016-05	27JAN05	BM KW

1. TAPE, REEL, AND TAPING SHALL MEET THE REQUIREMENTS OF EIA-481-1.
  2. EMBOSSED TAPE SHALL BE CONDUCTIVE TYPE.
  3. FOR PART ORIENTATION IN TAPE SEE DETAIL A.
  4. REEL SHALL CONTAIN 2500 PIECES.
- 5 REEL IDENTIFICATION LABEL SHALL BE PRINTED WITH REEL P/N, MANUFACTURER, QTY, AND TAPING DATE AS A MINIMUM.



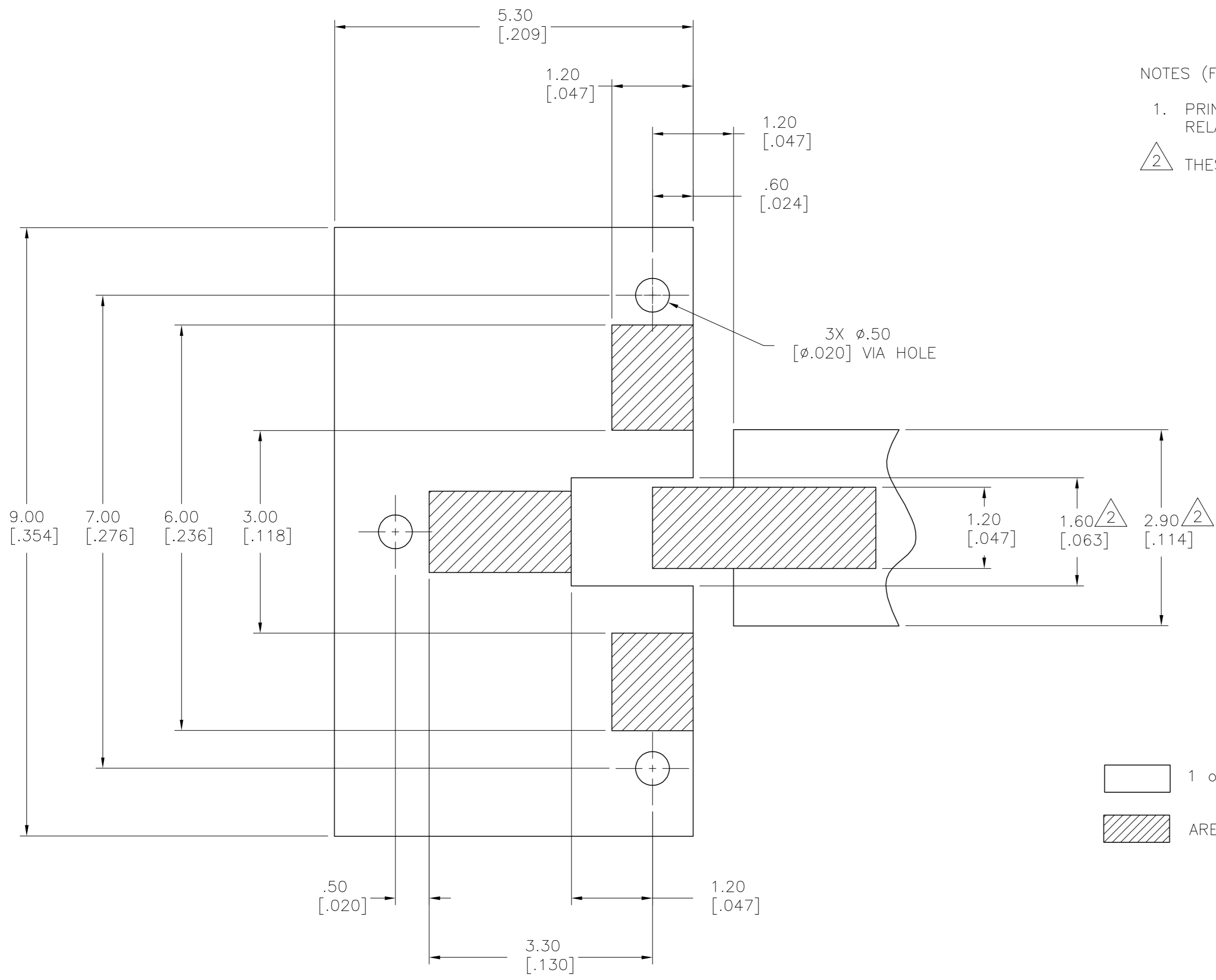
1055692

1055692-1  
PART NUMBER

THIS DRAWING IS A CONTROLLED DOCUMENT.		DWN <i>PCV</i> 6/3/94	<b>tyco</b> Tyco Electronics Corporation	
DIMENSIONS: mm [INCHES]		CHK	Harrisburg, Pa 17105-3608	
TOLERANCES UNLESS OTHERWISE SPECIFIED:		APVD <i>PCV</i> 10/12/94	NAME TAPE AND REEL PACKAGING, OSMT PLUG, 330mm REEL(2500 PARTS PER REEL)	
0 PLC ± -		PRODUCT SPEC	SIZE CAGE CODE DRAWING NO RESTRICTED TO	
1 PLC ± -		APPLICATION SPEC	A2 00779 C=1055692	
2 PLC ± -		WEIGHT	SCALE 1/2:1 SHEET 1 OF 2 REV C	
3 PLC ± -		CUSTOMER DRAWING		
4 PLC ± -				
ANGLES ± -				
FINISH				

THIS DRAWING IS UNPUBLISHED. RELEASED FOR PUBLICATION  
 © COPYRIGHT BY TYCO ELECTRONICS CORPORATION. ALL RIGHTS RESERVED.

LOC	DIST	REVISIONS			
P	LTR	DESCRIPTION	DATE	DWN	APVD
AJ	17	SEE SHEET 1	-	-	-



NOTES (FOR PCB LAYOUT ONLY):  
 1. PRINTED WIRING BOARD MATERIAL: GLASS EPOXY. FR-4 OR SIMILAR, RELATIVE PERMITTIVITY: 4.8oz. COPPER CLAD BOTH SIDES.  
 2. THESE DIMENSIONS VALID FOR 1.60[.062] BOARD THICKNESS.

1 oz.[.0014] COPPER  
 AREA FREE OF SOLDER MASK

RECOMMENDED MOUNTING PATTERN FOR MICROSTRIP LINE

THIS DRAWING IS A CONTROLLED DOCUMENT.		DWN <i>POV</i> 6/3/94	<b>tyco</b> Tyco Electronics Corporation	
DIMENSIONS: mm[INCHES]		CHK	Harrisburg, Pa 17105-3608	
TOLERANCES UNLESS OTHERWISE SPECIFIED:		APVD <i>POV</i> 10/12/94	NAME TAPE AND REEL PACKAGING, OSMT	
0 PLC ± -		PRODUCT SPEC	PLUG, 330mm REEL(2500 PARTS PER REEL)	
1 PLC ± -		APPLICATION SPEC	SIZE A2	CAGE CODE 00779
2 PLC ± -		WEIGHT -	DRAWING NO C=1055692	RESTRICTED TO -
3 PLC ± -		CUSTOMER DRAWING	SCALE 20:1	SHEET 2 OF 2
4 PLC ± -				REV C
ANGLES ± -				
FINISH -				

## X-ON Electronics

Largest Supplier of Electrical and Electronic Components

*Click to view similar products for [RF Connectors / Coaxial Connectors](#) category:*

*Click to view products by [TE Connectivity](#) manufacturer:*

Other Similar products are found below :

[8915-1511-000](#) [89674-0827](#) [6001-7071-019](#) [6002-7051-003](#) [6002-7551-202](#) [6059674-1](#) [619550-1](#) [630059-000](#) [M39030/3-01N](#) [6500-7071-046](#) [6769](#) [CX050L2AQ](#) [7002-1541-010](#) [7002-1542-011](#) [7004-1512-000](#) [7009-1511-004](#) [7010-1511-000](#) [7029-1511-060](#) [7101-1541-010](#) [7101-1571-002](#) [7105-1521-002](#) [7145-1521-002](#) [7203-1571-003](#) [7209-1511-011](#) [7210-1511-015](#) [7210-1511-019](#) [73137-5015](#) [73216-2241](#) [73404-2300](#) [7405-1521-005](#) [7405-1521-802](#) [8527](#) [8547](#) [FS11V](#) [877931](#) [9049-9513-000](#) [9074-9513-000](#) [9101-9573-002](#) [910A205F](#) [9130-9573-002](#) [PL11SC-026](#) [PL375-33](#) [PL40-5](#) [PL74C-221](#) [PL75MC-217](#) [PL803-7](#) [1200690078](#) [1-201144-1](#) [R107003010W](#) [R110A172100](#)