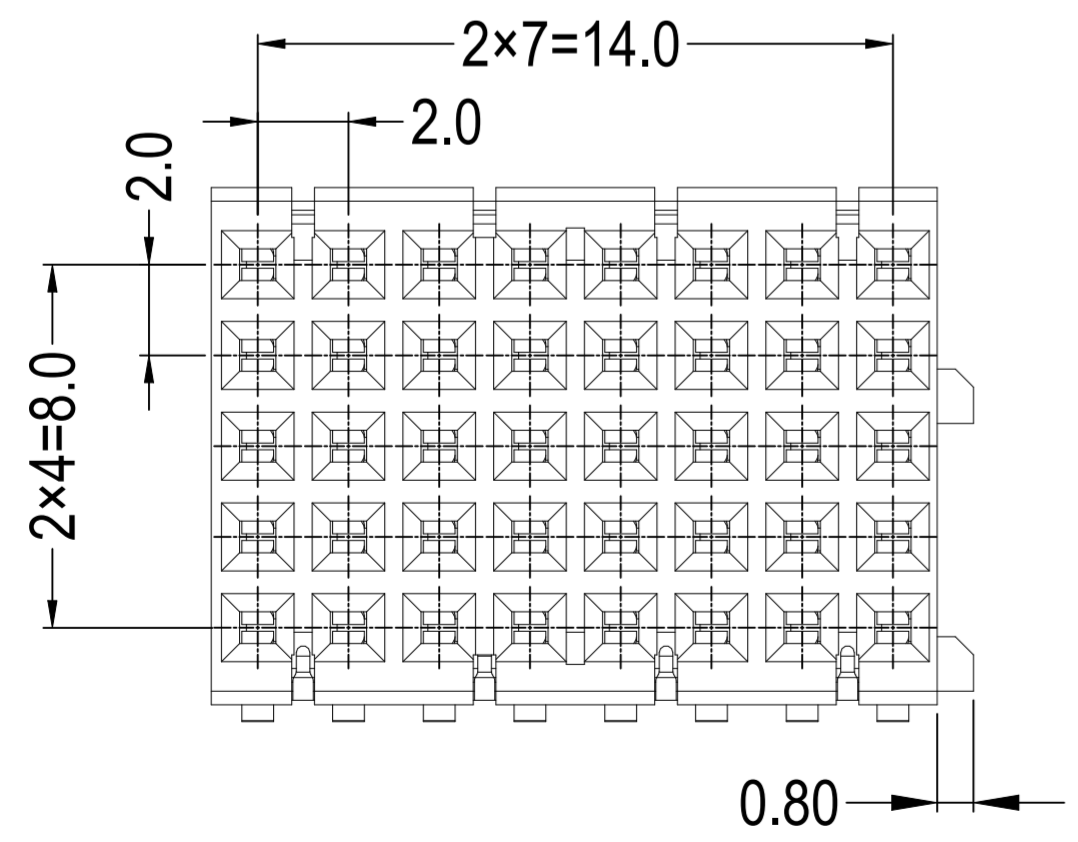
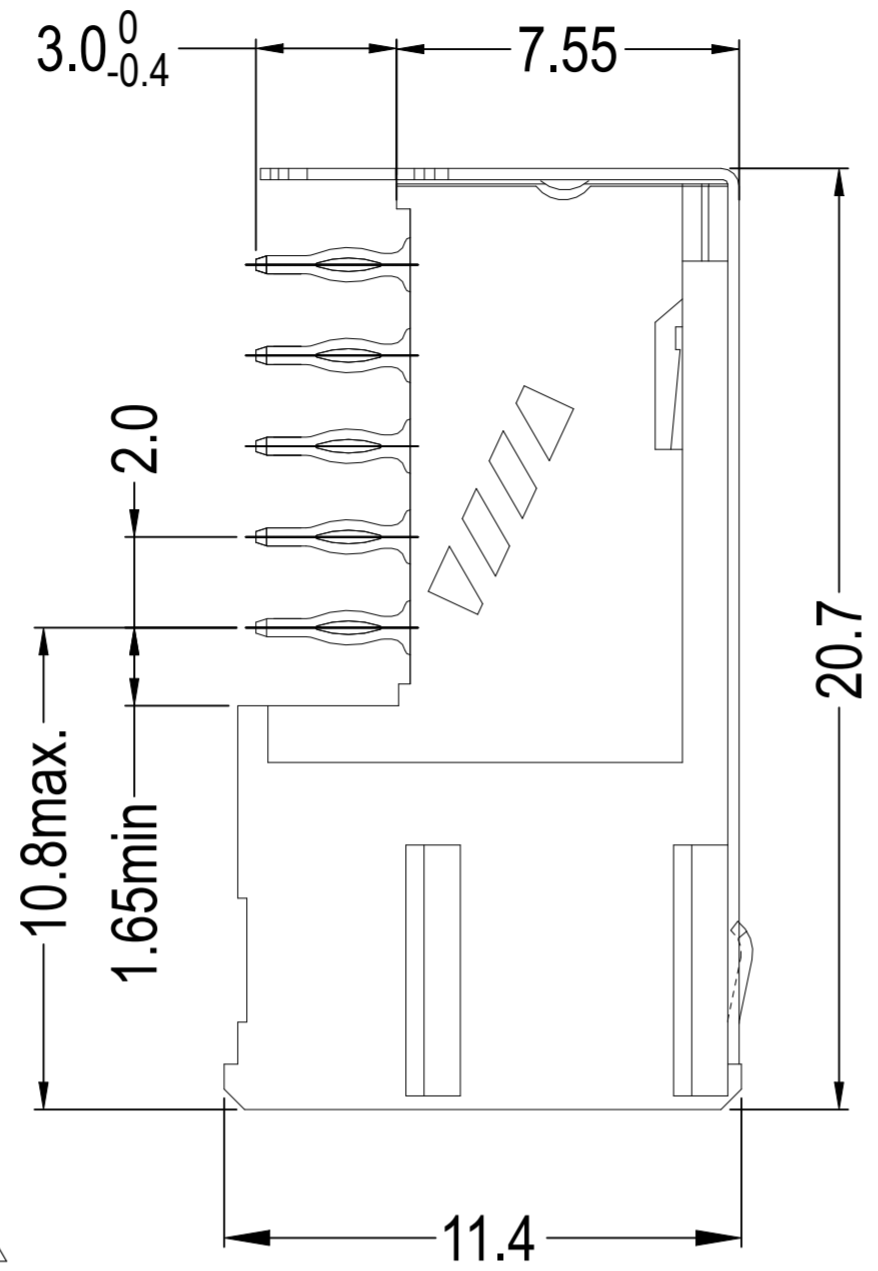
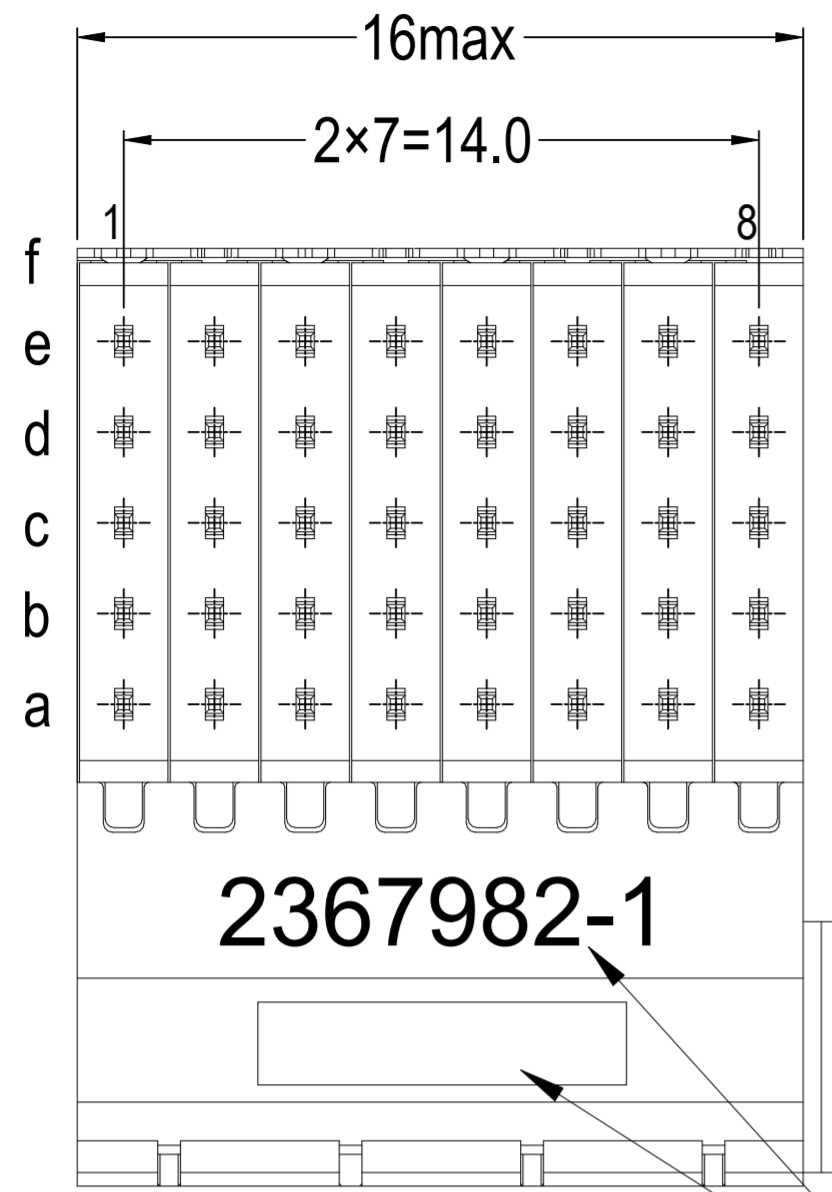
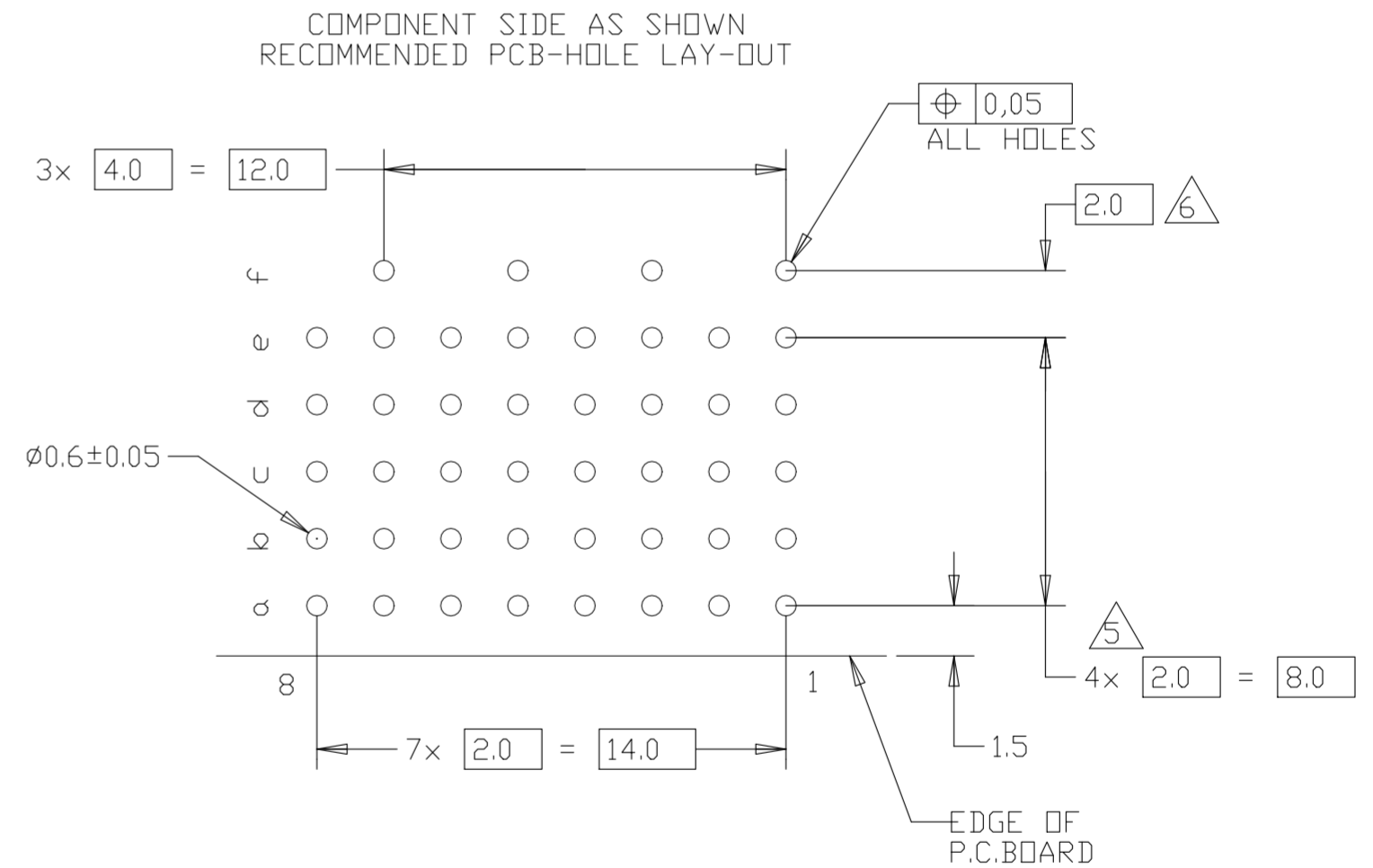


REVISIONS					
P	LTR	DESCRIPTION	DATE	DWN	APVD
B		ECR-21-112460	2SEP2021	TL	HL



NOTES:

- 1 MATERIAL:
CONTACTS & SHIELD: COPPER ALLOY
HOUSING: GLASSFILLED POLYESTER,COLOR NATURAL
- 2 GENERAL PLATING SPECIFICATION: UNDERPLATING (ENTIRE CONTACT):
1,27µm NICKEL MIN. AND EDN PIN: 0,5µm TIN MIN.
FOR PLATING OF MATING SURFACES SEE APPLICABLE SPECIFICATION REFERENCE FOR EACH DASH NUMBER.
- 3 CONFORMS TO ALL TESTING ACCORDING IEC 61076-4-101 PERFORMANCE LEVEL 2.
- 4 ASSEMBLY PRINTED WITH P/N AND DATECODE
- 5 HOLE PATTERN FOR FEMALE CONNECTOR
PLATED-THROUGH HOLES AT 2x2mm SQUARE GRID
- 6 ROW "f" 4 PLATED THROUGH HOLES FOR UPERSHIELD



2/3	1	2367982-1
FINISH	MATERIAL	PART NUMBER

THIS DRAWING IS A CONTROLLED DOCUMENT.		DWN TONY LI 14JAN2020	TE Connectivity Ltd.	
DIMENSIONS: mm		CHK ALEX SHOAL 14JAN2020		
TOLERANCES UNLESS OTHERWISE SPECIFIED:		APVD HOPE LU 14JAN2020	NAME Z PACK 2mm HM 8 COLUMNS PRE-SHIELDED RECEPTACLE	
0 PLC ± -		PRODUCT SPEC 108-60123	SIZE A2	
1 PLC ± 0.2		APPLICATION SPEC 114-19029	CAGE CODE 00779	DRAWING NO C=2367982
2 PLC ± 0.2		WEIGHT 0	RESTRICTED TO -	
3 PLC ± 0.2		CUSTOMER DRAWING		
4 PLC ± -		SCALE 4:1		
ANGLES ± -		SHEET 1 of 1		
FINISH		REV B		

X-ON Electronics

Largest Supplier of Electrical and Electronic Components

Click to view similar products for [Hard Metric Connectors](#) category:

Click to view products by [TE Connectivity](#) manufacturer:

Other Similar products are found below :

[6345127-1](#) [646916-9](#) [6469658-1](#) [973108](#) [1-2000713-0](#) [1-2000713-2](#) [1-2000713-3](#) [1645343-1](#) [1645456-1](#) [1645594-1](#) [1645595-1](#) [1645601-1](#)
[1934822-1](#) [278071110010833](#) [1645179-1](#) [1645245-1](#) [1645457-1](#) [1645525-1](#) [1645570-1](#) [1645596-1](#) [17041102202](#) [1857470-1](#) [1934275-1](#)
[1934289-1](#) [1934759-1](#) [2170292-2](#) [2-536642-6](#) [3-106015-1](#) [352188-1](#) [352629-1](#) [3-646529-0](#) [5120823-1](#) [5120899-1](#) [3-100145-0](#) [3-100147-0](#)
[3-100669-1](#) [5646530-1](#) [3-352049-0](#) [3-352069-0](#) [3-352115-0](#) [3-352638-0](#) [352189-1](#) [3-646357-0](#) [3-646487-0](#) [3-646513-0](#) [106726-1](#) [114619](#)
[64782](#) [5120995-1](#) [2102272-1](#)