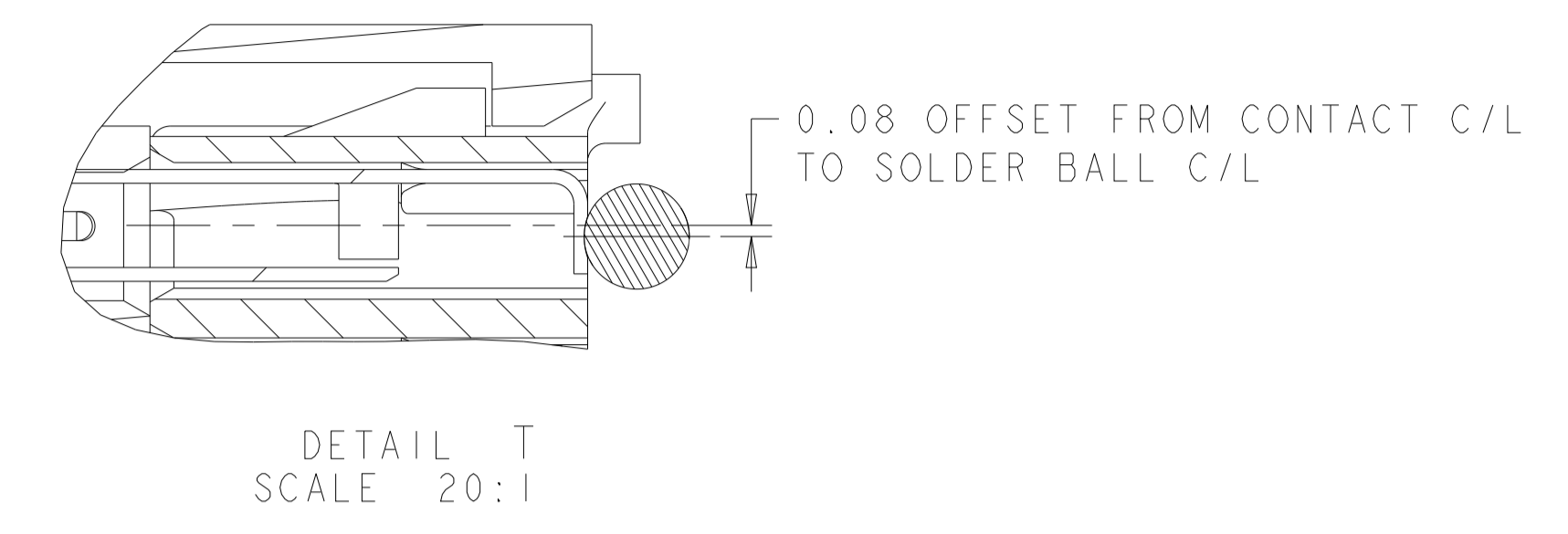
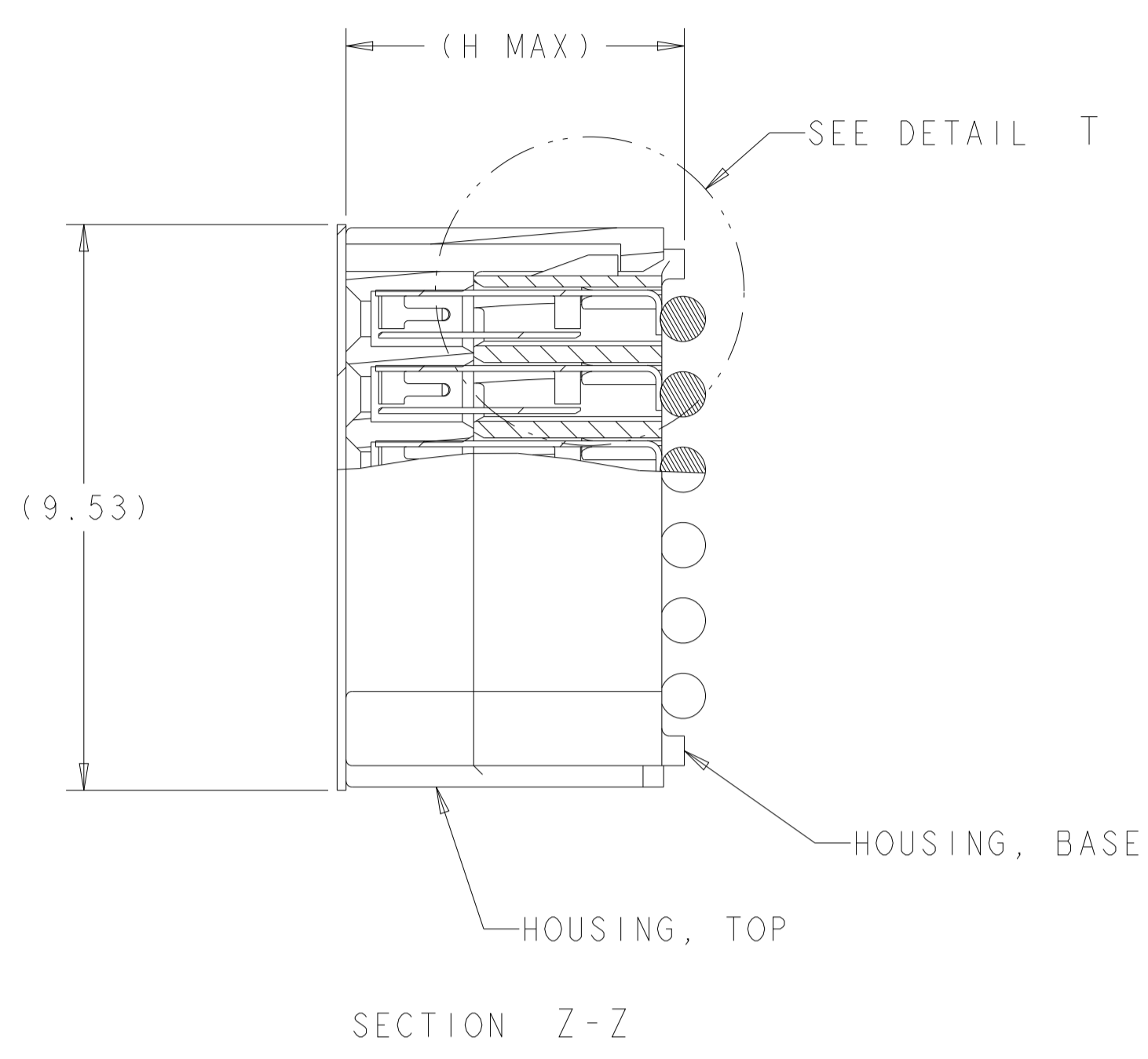
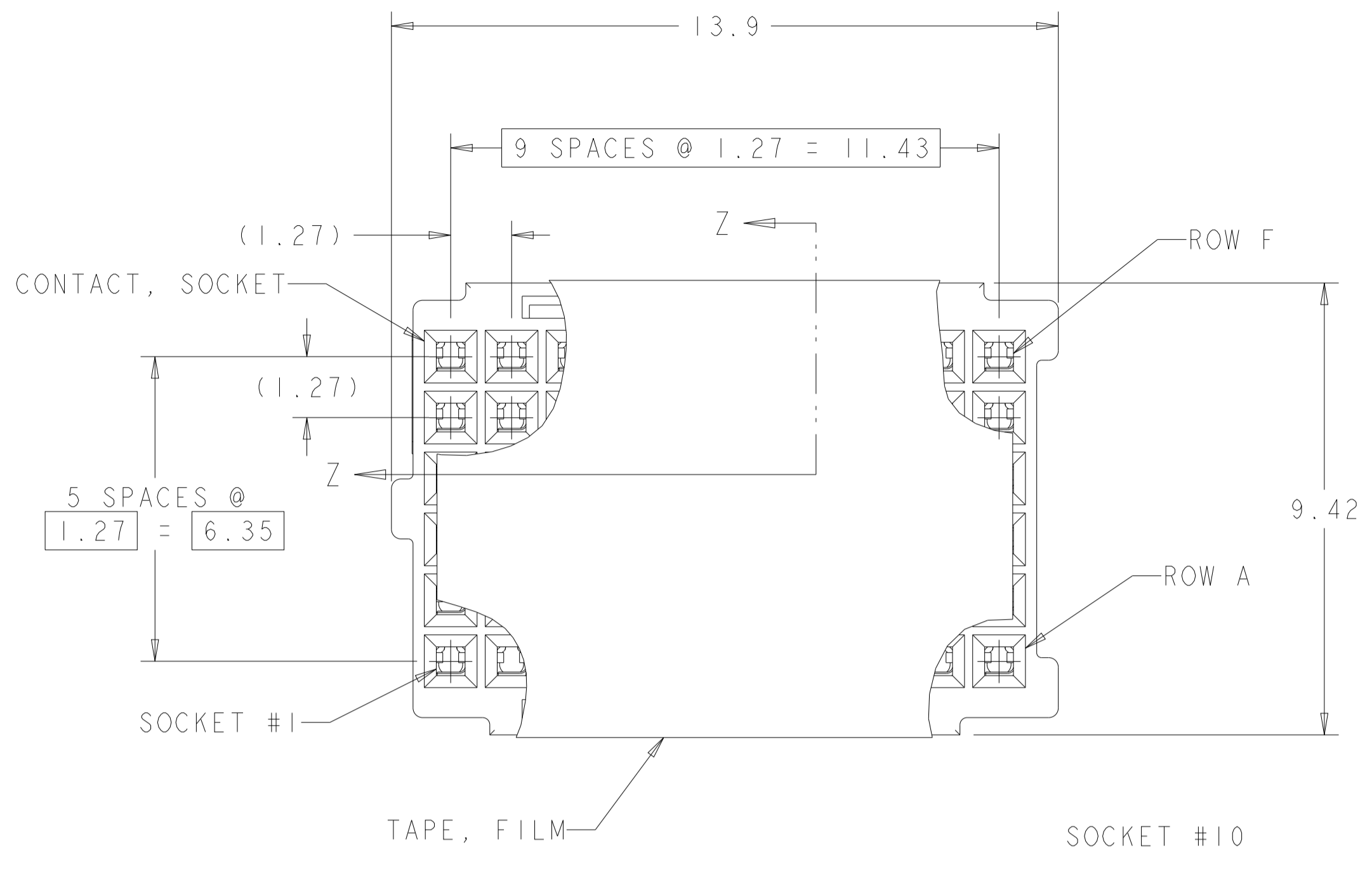
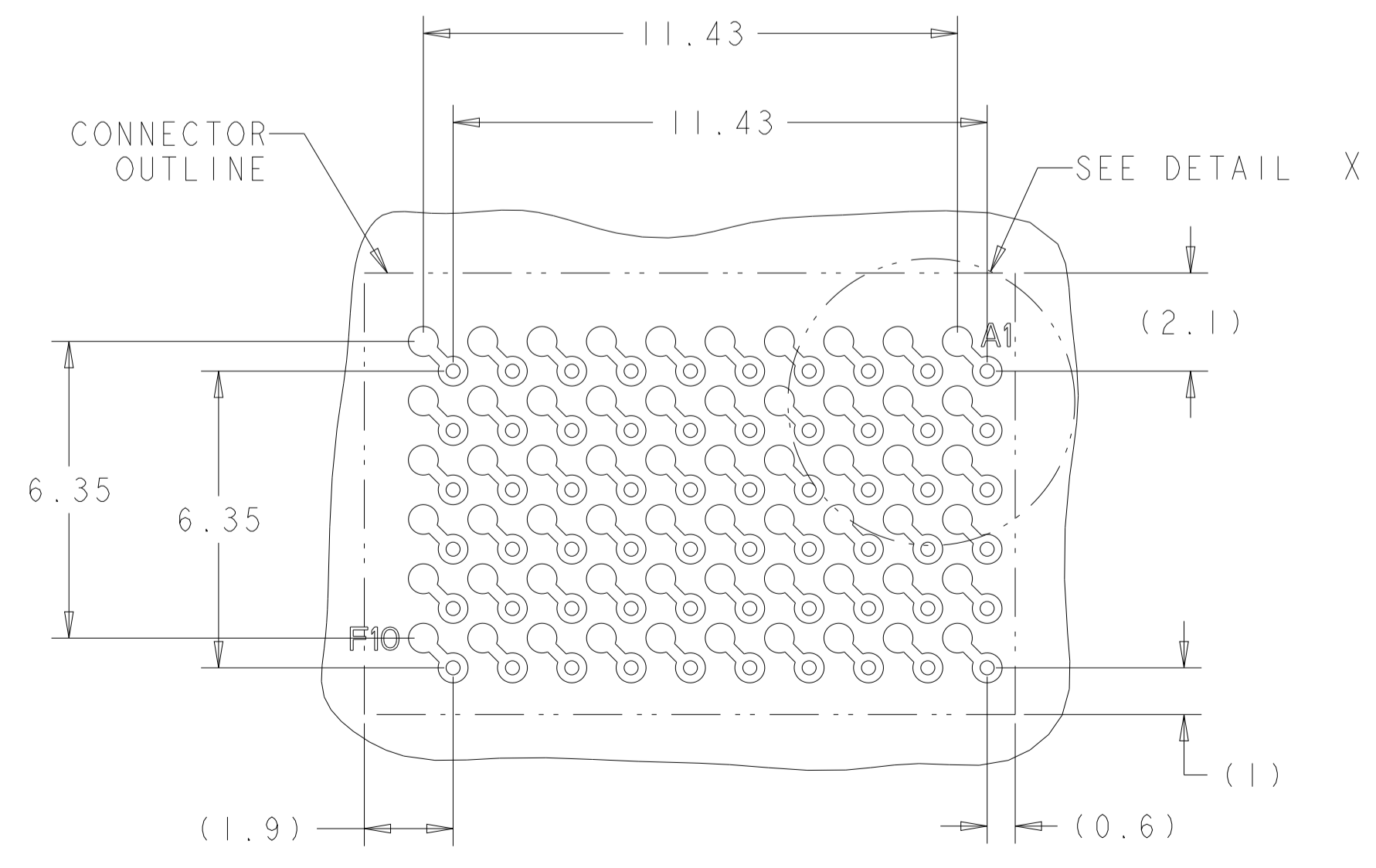
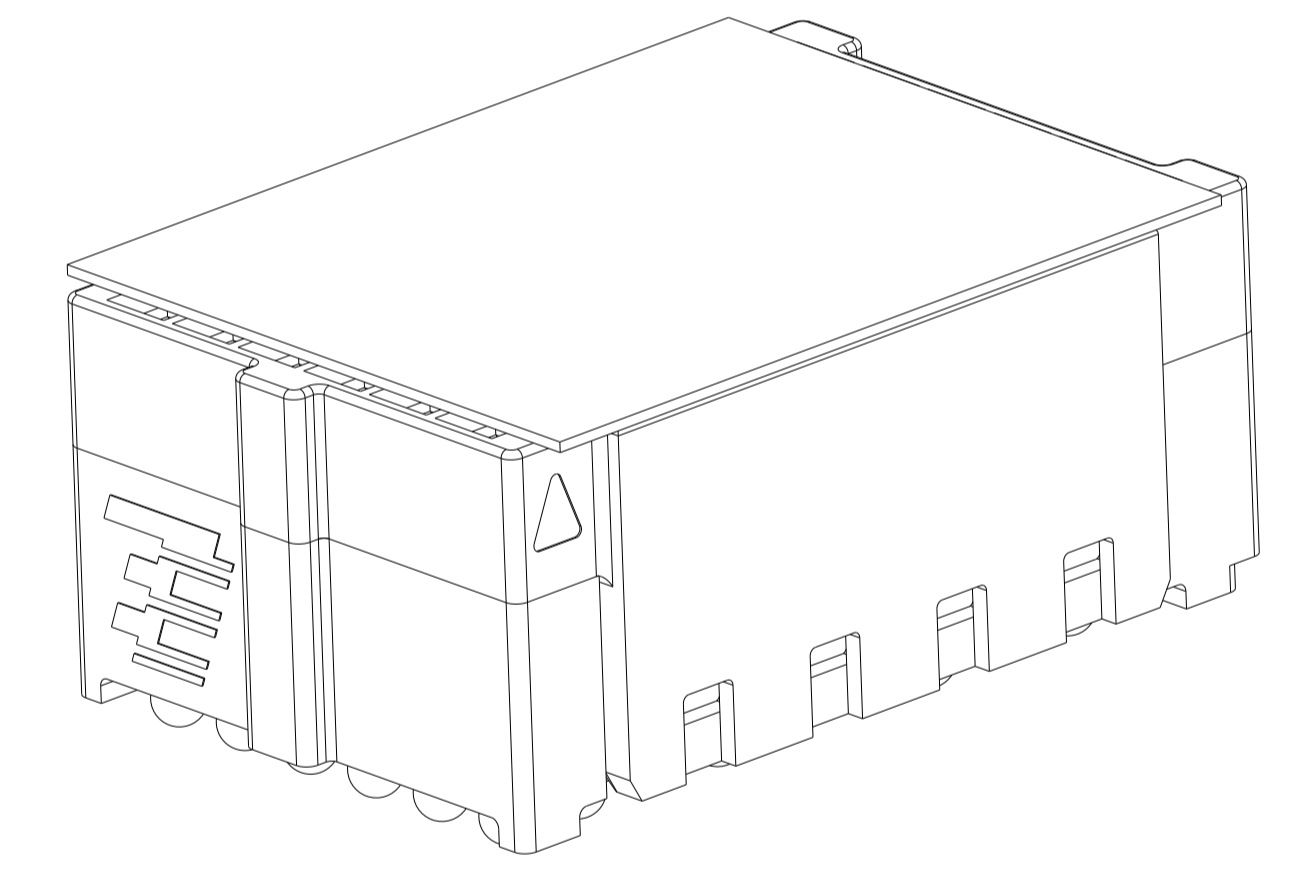
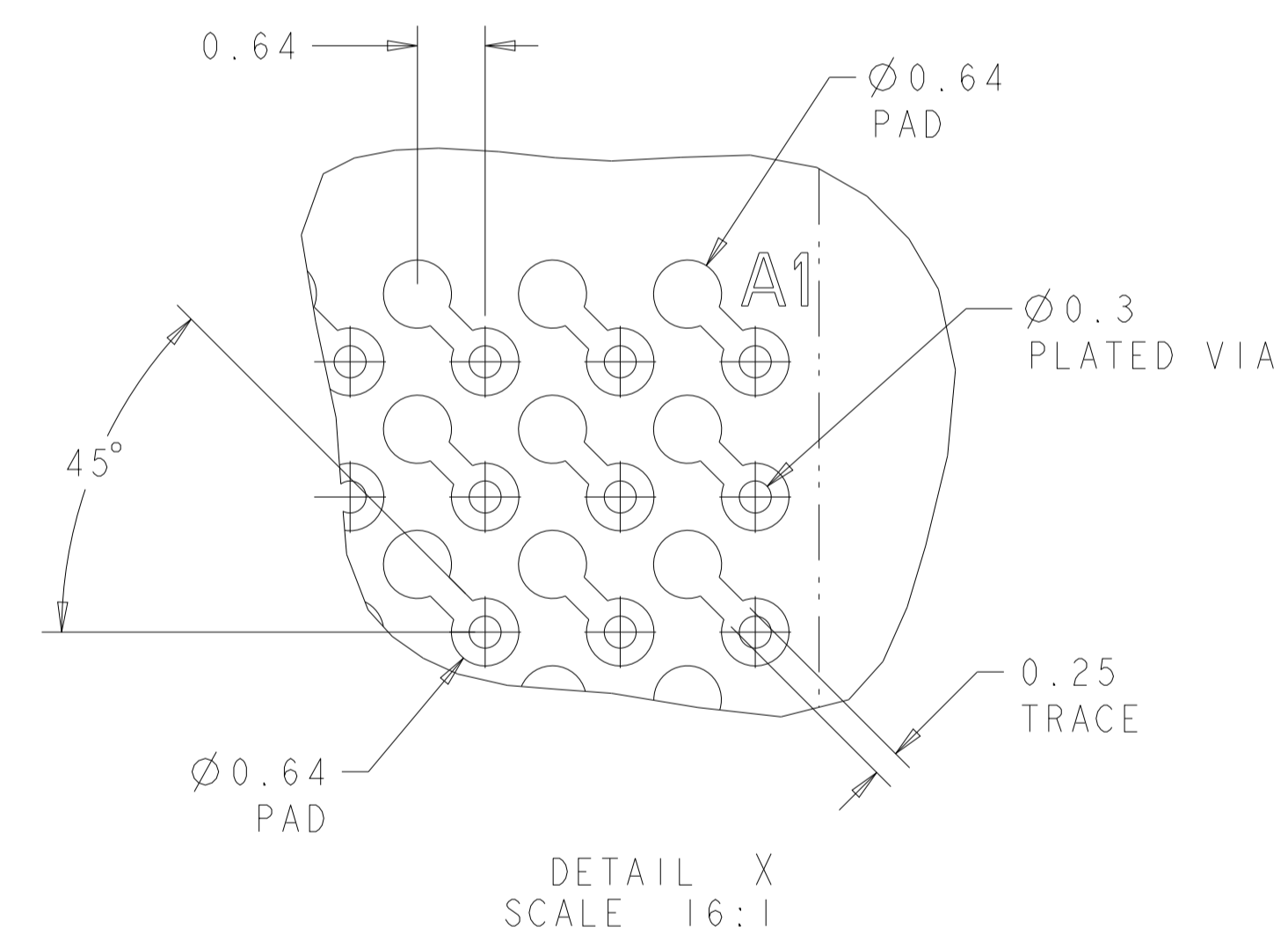
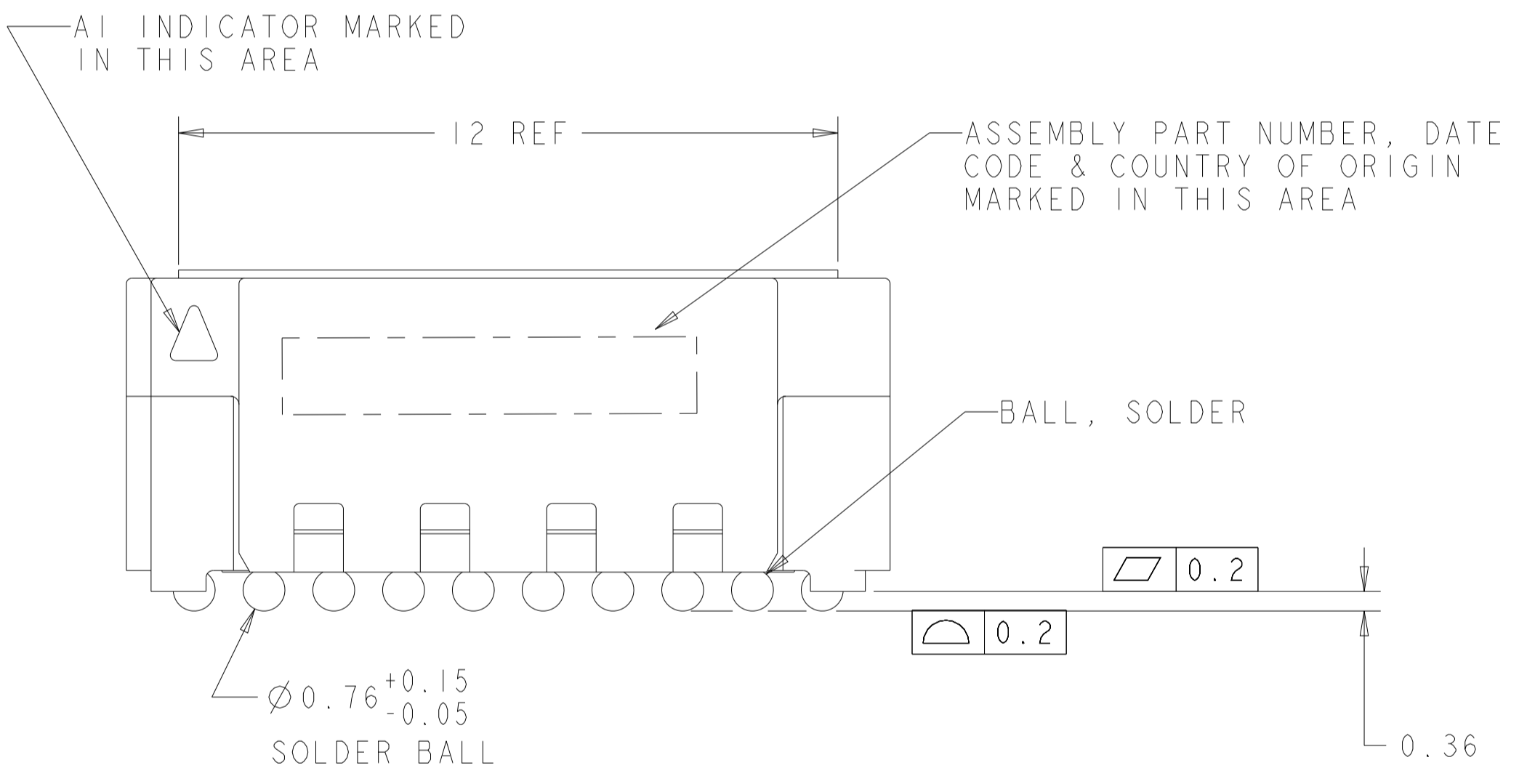


REVISIONS				
P	LTN	DESCRIPTION	DATE	APVD
A		RELEASED PER ECO-21-003568	16MAR2021	KM CG



- 1 MATERIAL: HOUSINGS; LCP, COLOR-NATURAL CONTACT; BERYLLIUM COPPER SOLDER BALL; SEE TABLE TAPE, FILM; KAPTON WITH SILICON ADHESIVE
- 2 FINISH: CONTACT; GOLD (SEE TABLE) ON MATING AREA OVER NICKEL ON ENTIRE CONTACT.
- 3. PRODUCT IS PACKAGED ON TAPE AND REEL.
- 4 DIAGRAM REPRESENTS THE DE-REELING DIRECTION OF THE PACKAGED CONNECTORS.



PCB LAYOUT (CONNECTOR SIDE)
SCALE 8:1

2102079-2	12	1.27 μ m	8	LEAD FREE PER SAC405	2369022-4
2102079-1	12	1.27 μ m	8	TIN LEAD	2369022-3
2102079-2	10	1.27 μ m	6	LEAD FREE PER SAC405	2369022-2
2102079-1	10	1.27 μ m	6	TIN LEAD	2369022-1
MATING PART NUMBER	MATED STACK HEIGHT (mm)	GOLD PLATING THICKNESS	H MAX REF	SOLDER BALL MATERIAL	PART NUMBER

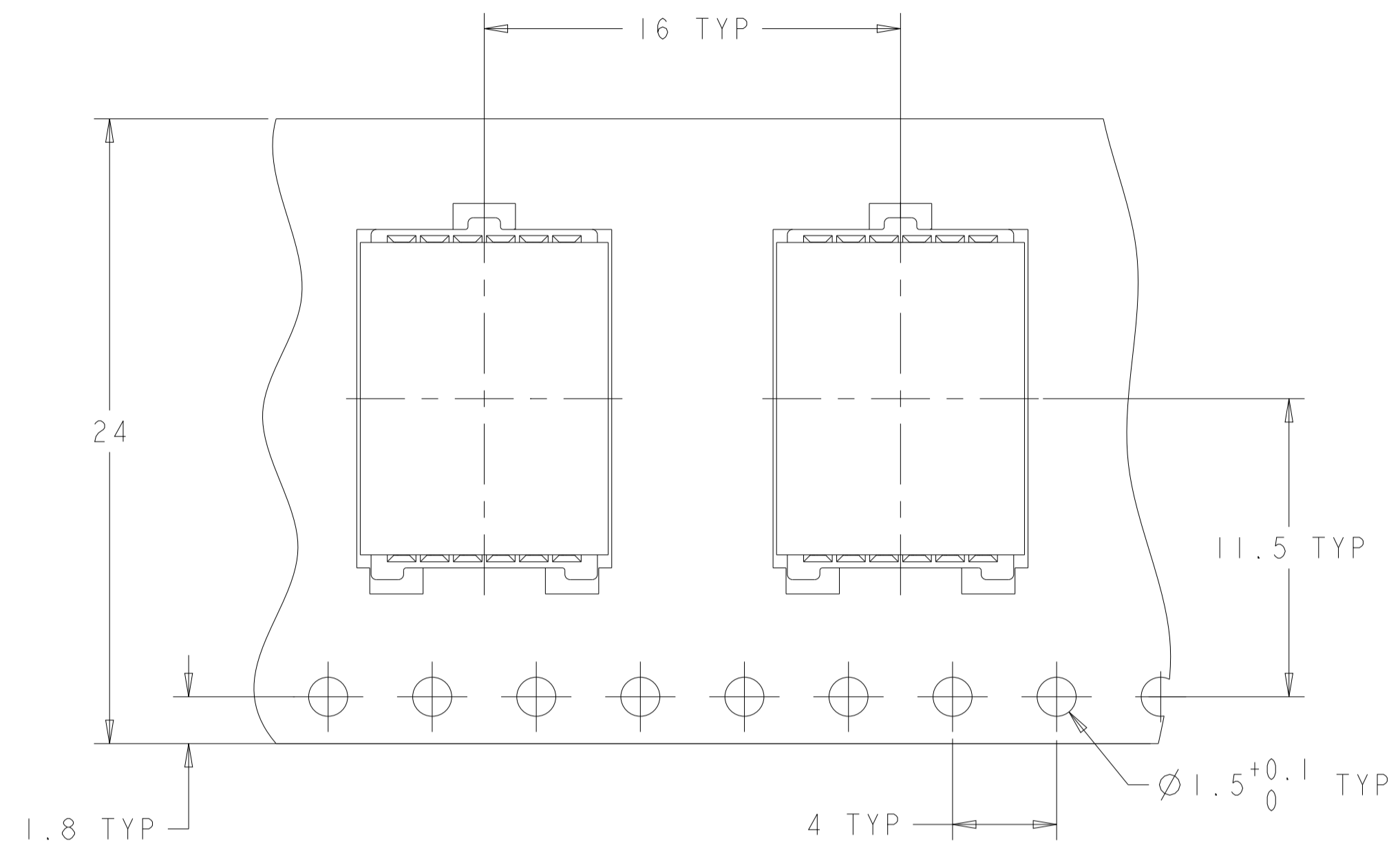
THIS DRAWING IS A CONTROLLED DOCUMENT.

DIMENSIONS:	TOLERANCES UNLESS OTHERWISE SPECIFIED:	APVD	DATE	NAME
mm	0 PLC \pm	K. MILLER	07FEB2020	R. MILLER
	2 PLC ± 0.13	C. GINGRICH	07FEB2020	C. GINGRICH
	3 PLC \pm	K. THACKSTON	16MAR2021	K. THACKSTON
	4 PLC \pm			
	ANGLES \pm			
MATERIAL	FINISH	SIZE	CAGE CODE	DRAWING NO
1	2	A	108-160206	114-13279
		WEIGHT	SCALE	SHEET
			10:1	1 OF 2
		CUSTOMER DRAWING		REV A

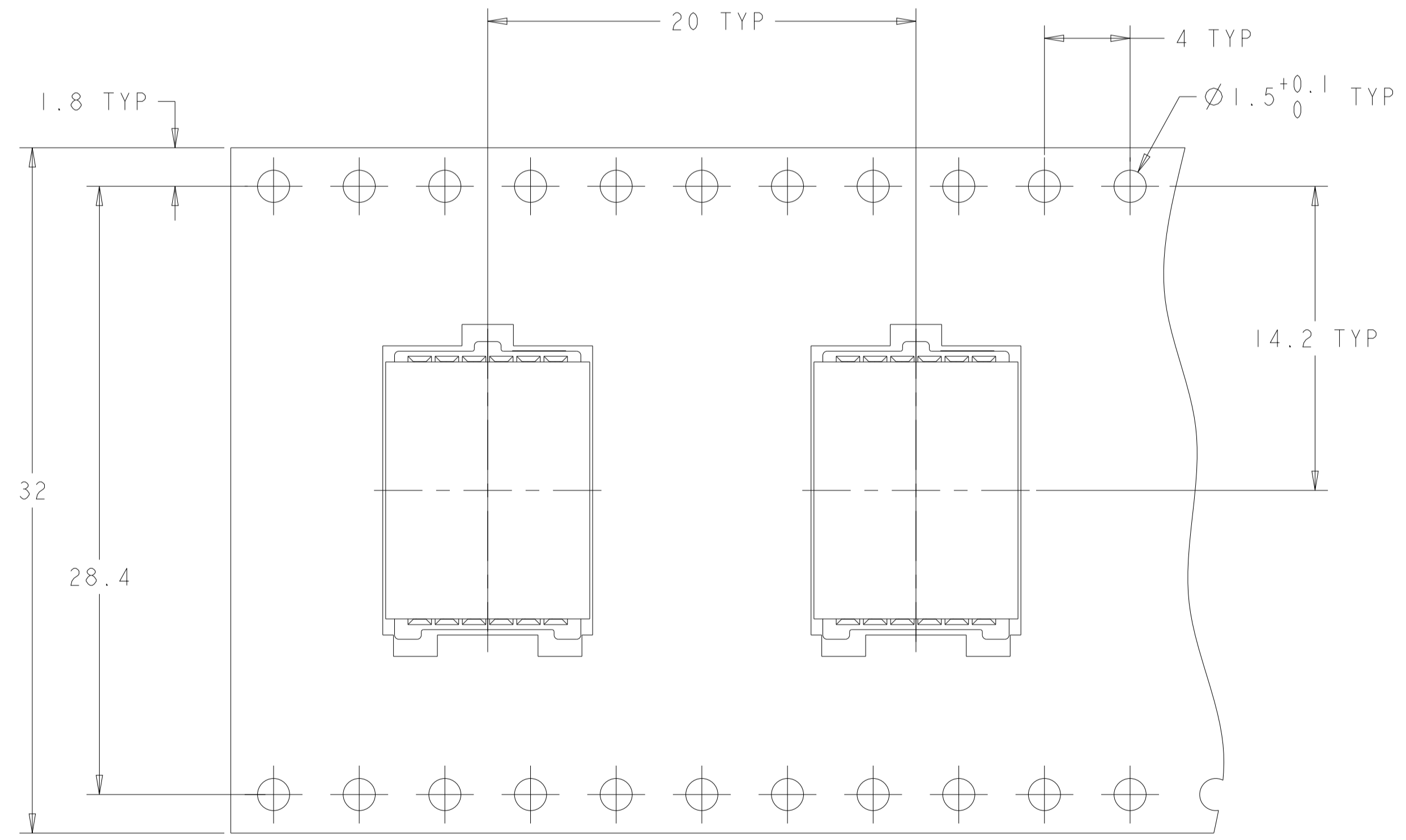
TE Connectivity
ASSEMBLY, SOCKET, 60 POSITION, MEZALOK STACKING CONNECTOR, LOW FORCE

00779 ©=2369022

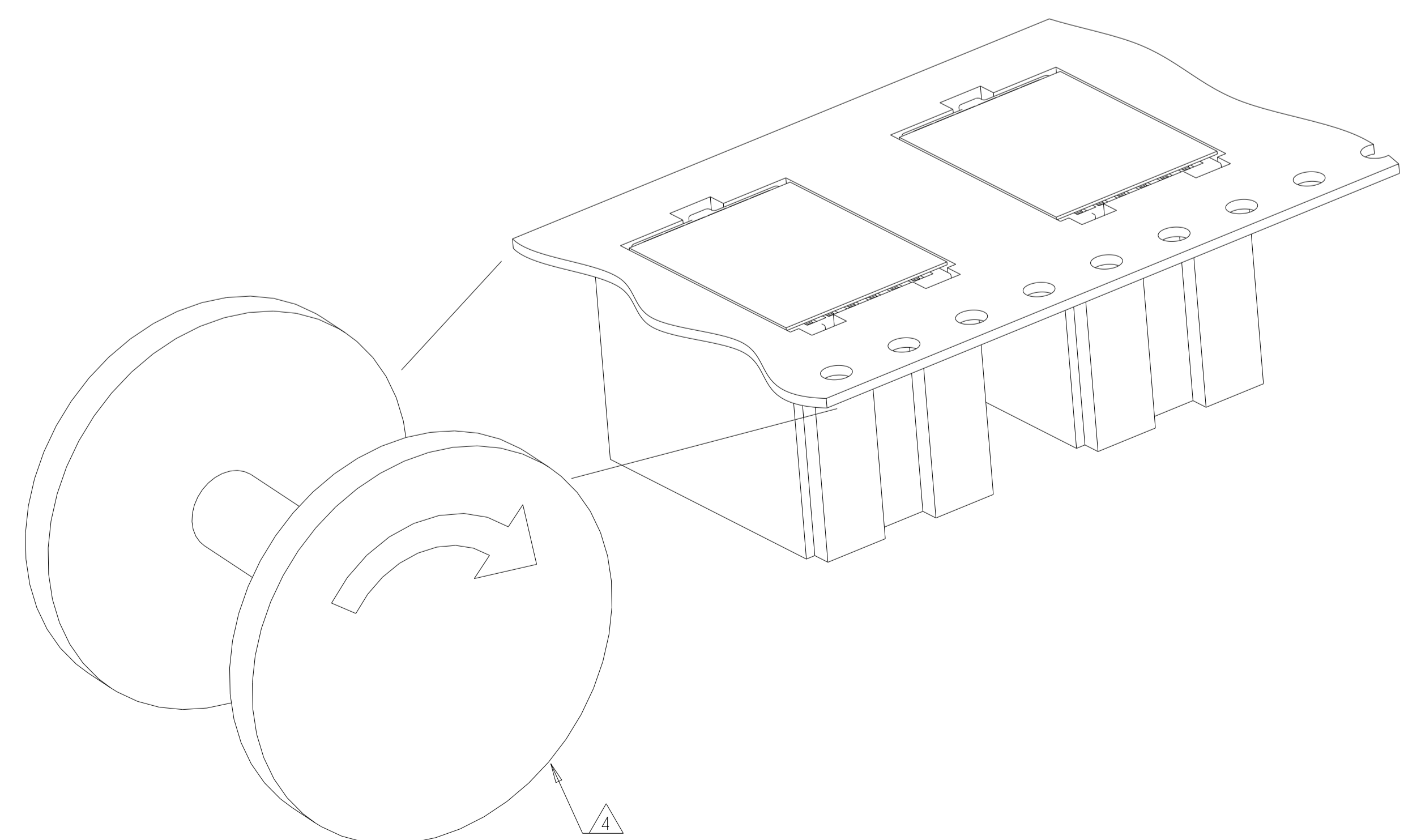
REVISIONS				
P	LTN	DESCRIPTION	DATE	APVD
-	-	SEE SHEET 1	-	-



2369022-1, -2



2369022-3, -4



THIS DRAWING IS A CONTROLLED DOCUMENT.		DWN K. MILLER 07FEB2020	
DIMENSIONS: mm		CHK C. GINGRICH 07FEB2020	
TOLERANCES UNLESS OTHERWISE SPECIFIED:		APVD K. THACKSTON 16MAR2021	NAME ASSEMBLY, SOCKET, 60 POSITION, MEZALOK STACKING CONNECTOR LOW FORCE
0 PLC ±		PRODUCT SPEC 108-160206	SIZE A 00779
1 PLC ±0.13		APPLICATION SPEC 114-13279	CAGE CODE C=2369022
2 PLC ±		WEIGHT	RESTRICTED TO
3 PLC ±		CUSTOMER DRAWING	SCALE 10:1 SHEET 2 OF 2 REV A
4 PLC ±			
ANGLES ±			
FINISH			

X-ON Electronics

Largest Supplier of Electrical and Electronic Components

Click to view similar products for [Board to Board & Mezzanine Connectors](#) category:

Click to view products by [TE Connectivity](#) manufacturer:

Other Similar products are found below :

[589158040000018](#) [MDF7C-18P-2.54DSA\(55\)](#) [FCN-230C068-11](#) [FCN-268F012-G/BD](#) [FCN-268F036-G/BD](#) [FCN-268M012-G/0D](#) [FCN-268M024-G/1D](#) [FCN-723J004/1](#) [MIS-048-01-F-D-DP-K](#) [832-10-034-10-001000](#) [FX4C-80S-1.27DSA](#) [FCN-214Q030-G/0](#) [FCN-234P048-G/0](#) [FCN-235D050-G/C](#) [210-93-314-41-105000](#) [2-22603-0](#) [MDF7-40DP-2.54DSA\(55\)](#) [AXG720047](#) [5031084030](#) [MIT-114-03-F-D-K](#) [55323-1519](#) [DF33-2P-3.3DSA\(24\)](#) [YFT-20-05-H-03-SB-K](#) [503308-3040](#) [026-6203-PDB](#) [027-6203-PDB](#) [069159702701000](#) [10123981-102LF](#) [101A10019X](#) [55650-0588-C](#) [68682-310LF](#) [68684-306](#) [75140-7012](#) [87471-650](#) [YTW-30-07-H-Q-410-140](#) [194261-1](#) [FCN-268F024-G0D](#) [10124054-515LF](#) [68685-603](#) [8-1616154-3](#) [MIS-019-01-F-D](#) [FCN-268M024-G/3D](#) [20021832-06016C1LF](#) [KX15-20KLDL-E1000E](#) [MDF7-16DP-2.54DSA\(55\)](#) [AXE810124](#) [FCN-214J100-G/0](#) [FCN-230C068-E/S](#) [AXE812124](#) [AXE816124](#)