

REVISIONS				
P	LTN	DESCRIPTION	DATE	OWN APVD
A		INITIAL RELEASE	21MAY20	Y.Y I.Y
B		REVISION (ECR-20-008843)	27OCT20	Z.C I.Y
B1		REVISION (ECR-21-005772)	31MAR21	Z.C I.Y
B2		REVISION (ECR-21-107908)	20JUL2021	Z.C I.Y

P/N	REFERENCE VIEW OF CODINGS, 3POS 2:1	P/N	REFERENCE VIEW OF CODINGS, 2POS 2:1
2371035-1		1-2371035-1	
2371035-2		1-2371035-2	
2371035-3		1-2371035-3	
2371035-4	CONTACT TE FOR FURTHER INFO.	1-2371035-4	
2371035-5			
2371035-6			

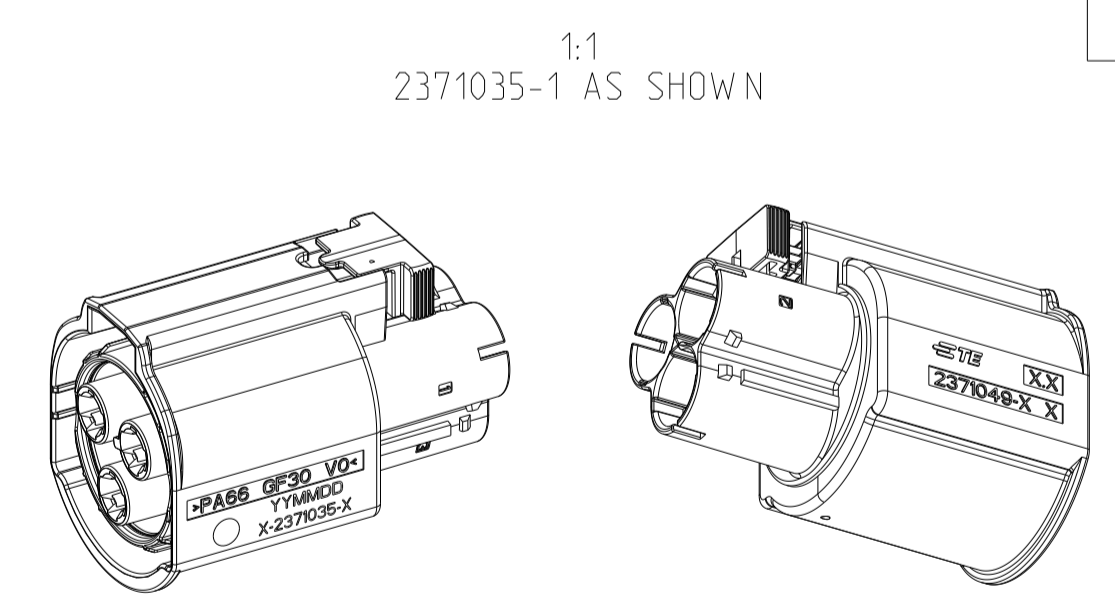
NOTE:
 1. PRODUCTION DATE (YYMMDD)
 2. ASSEMBLY P/N MARKING
 3. TPA AND CPA ARE AT PRE-LOCK POSITION
 4. COUNTERPART INFO:
 1). HEADER X-2371113-X
 2). OTHER SEE TABLE:

USED CABLE	2.5mm ²	4.0mm ²	6mm ²
QUALIFIED CABLE BRAND	KBE (SINGLE CORE, SCREENED, COPPER). OTHER WIRE SHALL CONTACT TE FOR FURTHER INFO		
SOCKET CONTACT	2349177-1 (Ag)	1-2349177-1 (Ag+AgSn)	2349177-2 (Ag)
INNER FERRULE	2371242-1	2371242-2	2371242-3
OUTER FERRULE	2371243-1		
SINGLE WIRE SEAL	2371244-1	2371244-2	2371244-3
WIRE CLIP	2371245-1	2371245-2	2371245-3

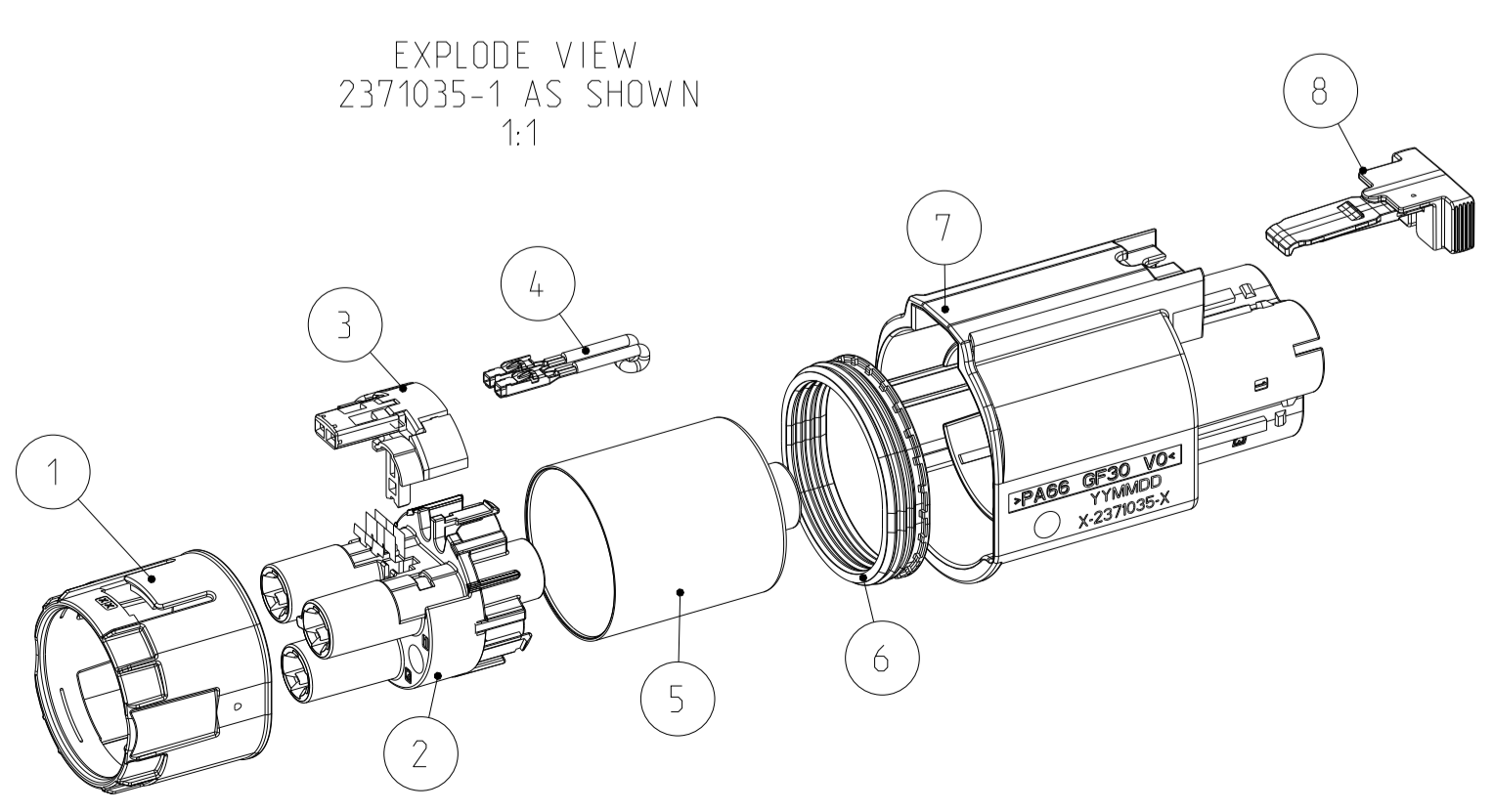
5. GENERAL SPEC:
 1). WORKING TEMP: -40~140°C
 2). WORKING VOLTAGE: 1000VDC
 3). DEGREE OF PROTECTION: IPXXB, IP6K9K, IP67
 4). INFLAMMABILITY: V0

Q'TY	DESCRIPTION	MATERIAL	COLOR	ITEM	BOM OF BLIND PLUG
1	CPA	PA66-GF30 V0	RED	8	
1	OUTER HOUSING - BLIND	PA66-GF30 V0	ORANGE	7	
1	PERIPHERAL SEAL	VMQ	GREEN	6	
1	SHIELDING - BLIND	CuSn4 080	-	2	
1	RETAINER	PA66-GF30 V0	NATRAL	1	
-	ASSEMBLY P/N				
2-2371035-1	←				
B	←	REVISION OF ASSEMBLY			
Q'TY	PART LIST				

Q'TY	DESCRIPTION	MATERIAL	COLOR	ITEM	BOM OF 3 POSITION		
1	CPA	PA66-GF30 V0	RED	8			
1	OUTER HOUSING - 3 POS	PA66-GF30 V0	ORANGE	7			
1	PERIPHERAL SEAL	VMQ	GREEN	6			
1	SHIELDING - 3 POS	COPPER ALLOY	-	5			
1	MCON 1.2 CABLE ASSY	-	-	4			
1	TPA	PA66-GF30 V0	RED	3			
1	INNER HOUSING - 3 POS	PA66-GF30 V0	BROWN	2			
-		PA66-GF30 V0	GREEN				
-		PA66-GF30 V0	PURPLE				
-		PA66-GF30 V0	BLUE				
-		PA66-GF30 V0	WHITE				
1	RETAINER	PA66-GF30 V0	NATRAL	1			
-	DESCRIPTION	MATERIAL	COLOR	ITEM			
F	E	D	C	B	A	←	CODING
2371035-6	2371035-5	2371035-4	2371035-3	2371035-2	2371035-1	←	ASSEMBLY P/N
A	A	A	B	B	B	←	REVISION OF ASSMBLY
PART LIST							



Q'TY	DESCRIPTION	MATERIAL	COLOR	ITEM	BOM OF 2 POSITION		
1	CPA	PA66-GF30 V0	RED	8			
1	OUTER HOUSING - 2 POS	PA66-GF30 V0	ORANGE	7			
1	PERIPHERAL SEAL	VMQ	GREEN	6			
1	SHIELDING - 2 POS	COPPER ALLOY	-	5			
1	MCON 1.2 CABLE ASSY	-	-	4			
1	TPA	PA66-GF30 V0	RED	3			
1	INNER HOUSING - 2 POS	PA66-GF30 V0	BROWN	2			
-		PA66-GF30 V0	GREEN				
-		PA66-GF30 V0	PURPLE				
-		PA66-GF30 V0	BLUE				
-		PA66-GF30 V0	WHITE				
1	RETAINER	PA66-GF30 V0	NATRAL	1			
-	DESCRIPTION	MATERIAL	COLOR	ITEM			
F	E	D	C	B	A	←	CODING
1-2371035-6	1-2371035-5	1-2371035-4	1-2371035-3	1-2371035-2	1-2371035-1	←	ASSEMBLY P/N
A	A	B	B	B	B	←	REVISION OF ASSEMBLY
PART LIST							



THIS DRAWING IS A CONTROLLED DOCUMENT.		OWN: Y. YANG	DATE: 06MAY2020	TE Connectivity
DIMENSIONS: mm		CHK: E. JIANG	DATE: 21MAY2020	
TOLERANCES UNLESS OTHERWISE SPECIFIED:		APVD: L.Y. JIN	DATE: 21MAY2020	NAME: PLUG ASSEMBLY HD400, 2POS / 3POS CONNECTOR
0 PLC ±0.5		PRODUCT SPEC	108-160170	
1 PLC ±0.5		APPLICATION SPEC	116-160093	SIZE: A 00779 C=2371035
2 PLC ±0.5		WEIGHT	-	
3 PLC ±0.5		CUSTOMER DRAWING	SCALE: 2:1	SHEET 1 OF 1 REV: B2
4 PLC ±0.5		RESTRICTED TO		
ANGLES ±2°				

X-ON Electronics

Largest Supplier of Electrical and Electronic Components

Click to view similar products for [Standard Circular Connector](#) category:

Click to view products by [TE Connectivity](#) manufacturer:

Other Similar products are found below :

[6134-336-13149](#) [6134-337-11149](#) [6134-337-2390](#) [6134-341-17149](#) [6280-7SG-3DC](#) [6282-2SG-315](#) [67-02E12-60PX](#) [680-SMG](#)
[CXS3102A181S](#) [D38999/20FC8SA L/C](#) [7251-5SG-300](#) [7282-3PG-300-CH3](#) [75-190216-08S](#) [75-190218-10P](#) [75-474118-10P](#) [75-474218-19S](#)
[75-474618-04P](#) [75-474618-04S](#) [80-190222-18P](#) [805-005-07NF11-19PC](#) [805-005-07NF15-7PA](#) [8280-4PG-516](#) [8280-7PG-519](#) [836783-1](#)
[862256-1](#) [866857-1](#) [867865-1](#) [120-1833-000](#) [QCM019PC2DC012B](#) [121583-0217](#) [121667-0020](#) [RD10A16-19-P6CS051/1](#) [RD16A14-12-](#)
[S6CS051/2](#) [1301240347](#) [1301790476](#) [1301240268](#) [1301240275](#) [1301860183](#) [1301860906](#) [1302261559](#) [DCU-08BFEA-LL7001](#) [RM15WTP-](#)
[CP\(5\)\(71\)](#) [14381-10SG-300](#) [14482](#) [14281-20PG-300](#) [16283-18](#) [18280-3SG-315](#) [1877910-1](#) [206039-3](#) [206323-1](#)