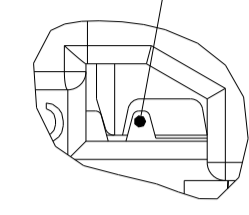
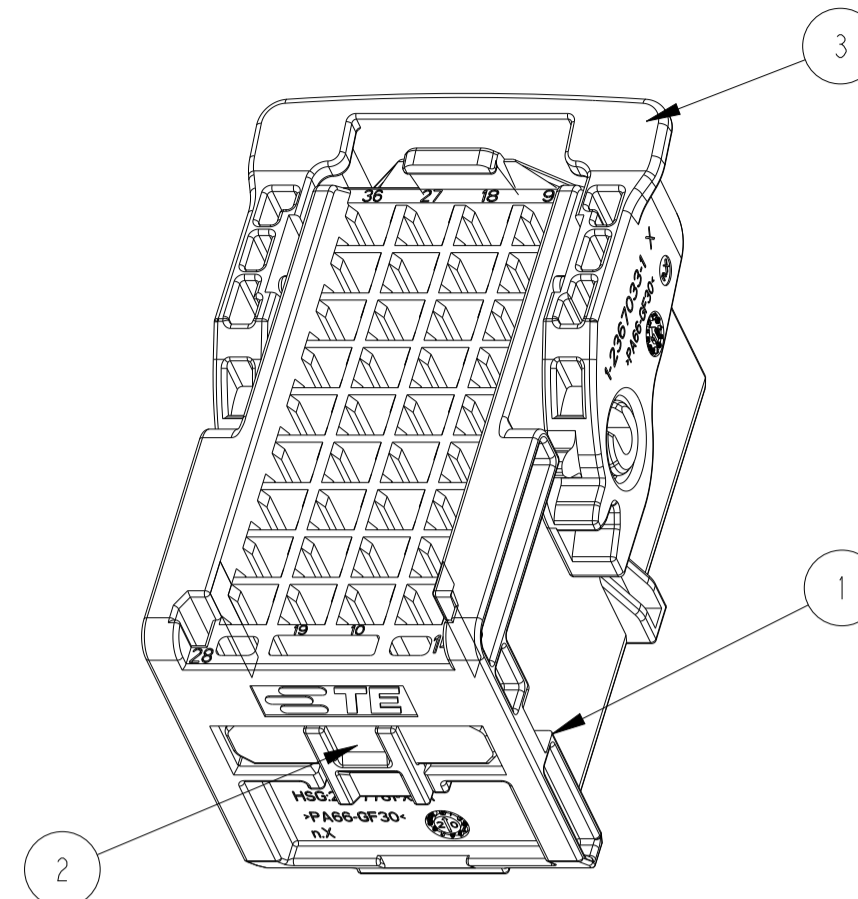
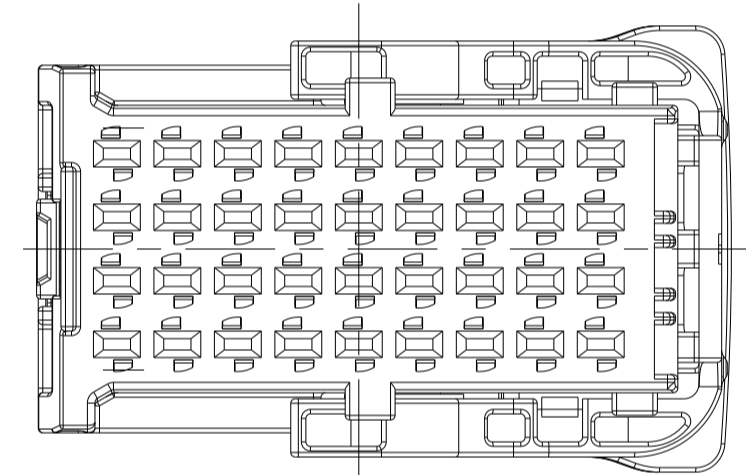
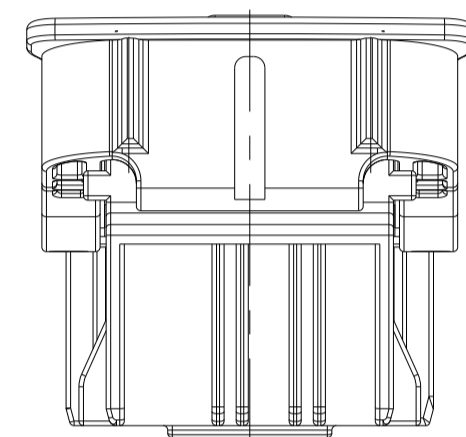
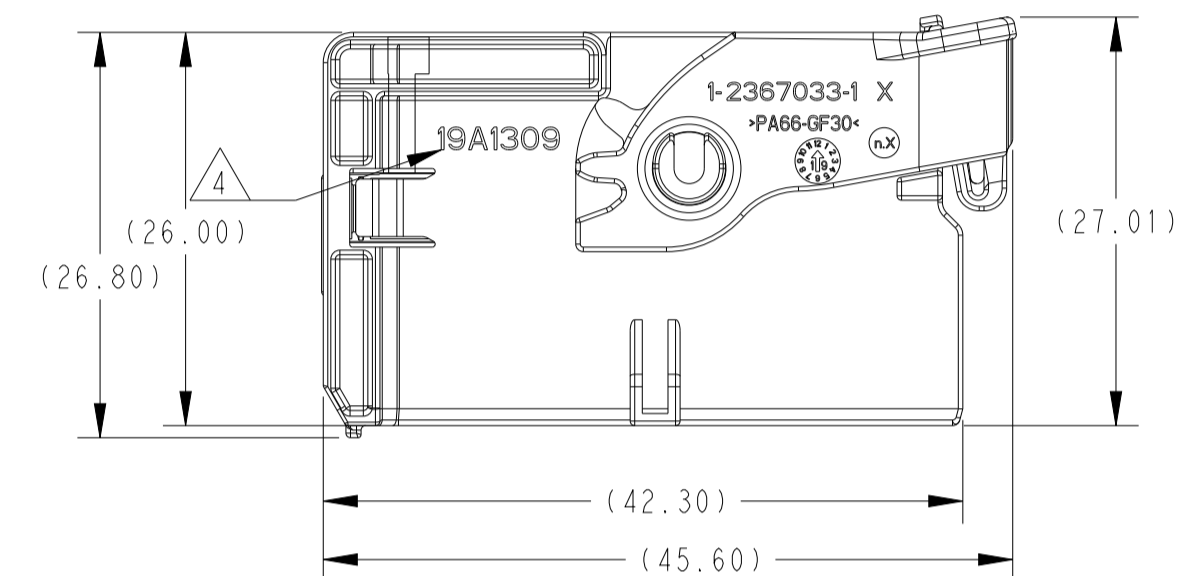
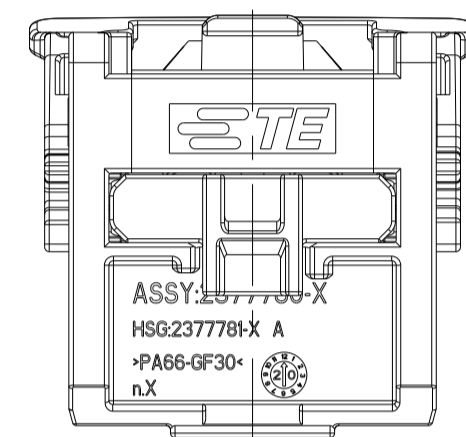
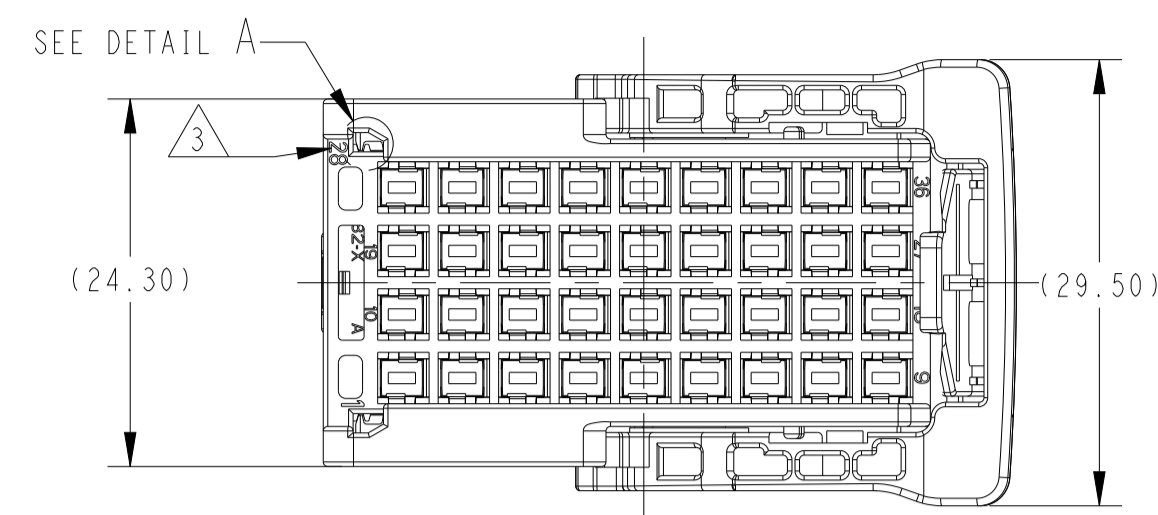


237780-1 SHOWN AS

SECOND LOCK IN PRE-LOCK POSITION

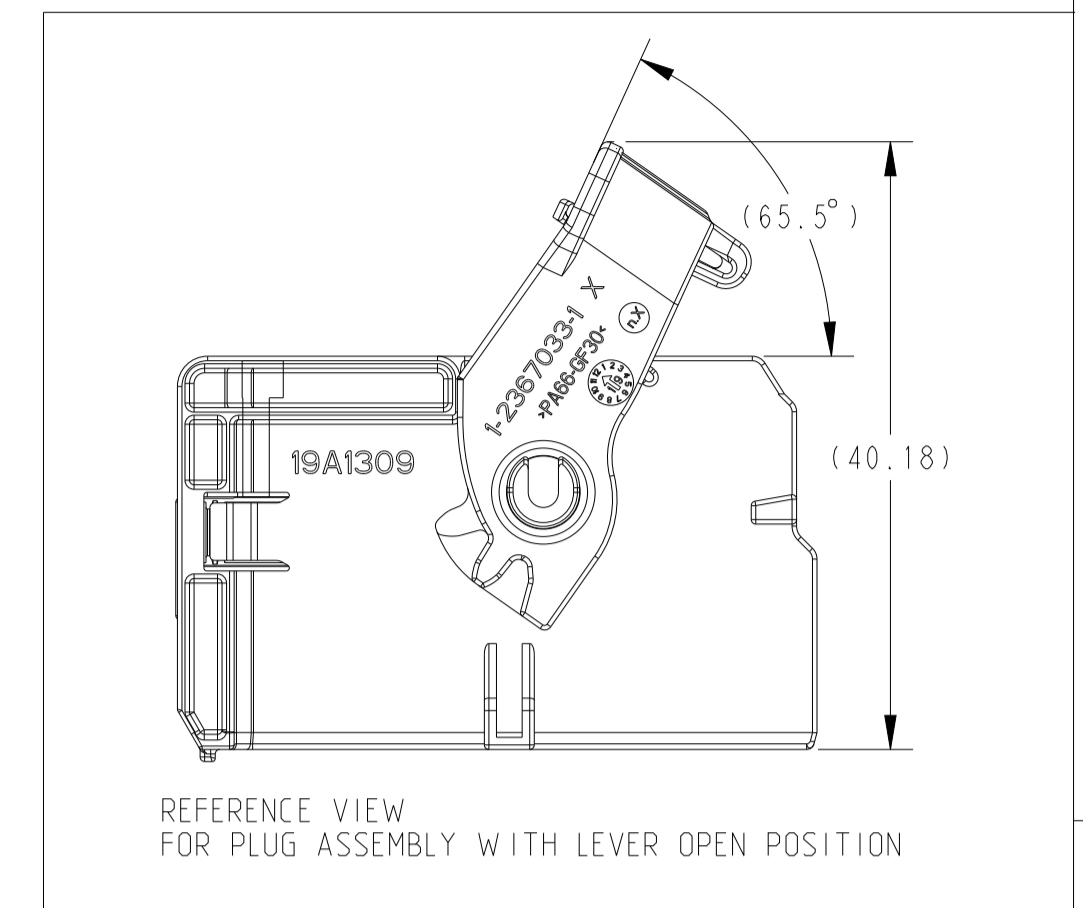


DETAIL A
SCALE 8:1



DELIVERY CONDITION
LEVER IN LOCKED POSITION

REVISIONS				
P	LTN	DESCRIPTION	DATE	OWN APVD
A		INITIAL RELEASE	24AUG2020	L.G I.Y
A1		SEE ECR-20-016351	30NOV2020	L.G I.Y
A2		SEE ECR-20-017290	07DEC2020	L.G I.Y
A3		SEE ECR-21-003179	16MAR2021	L.G I.Y



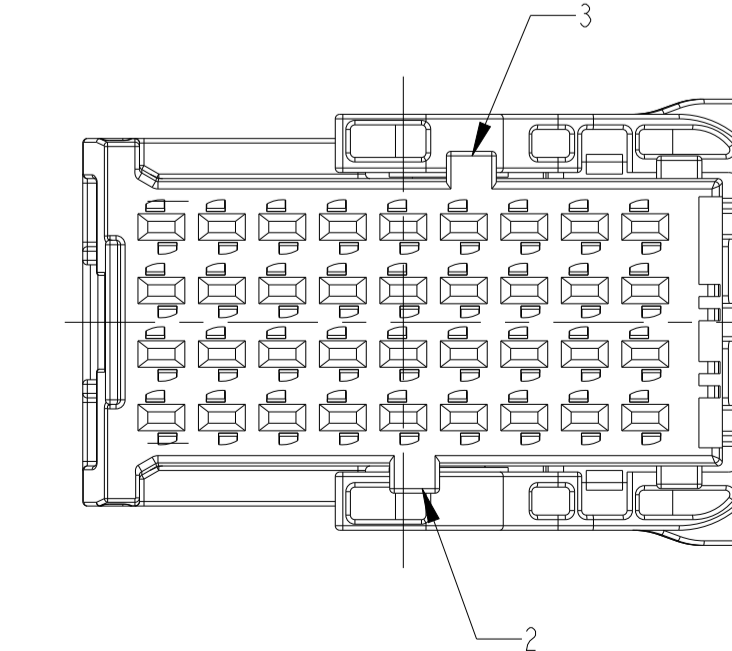
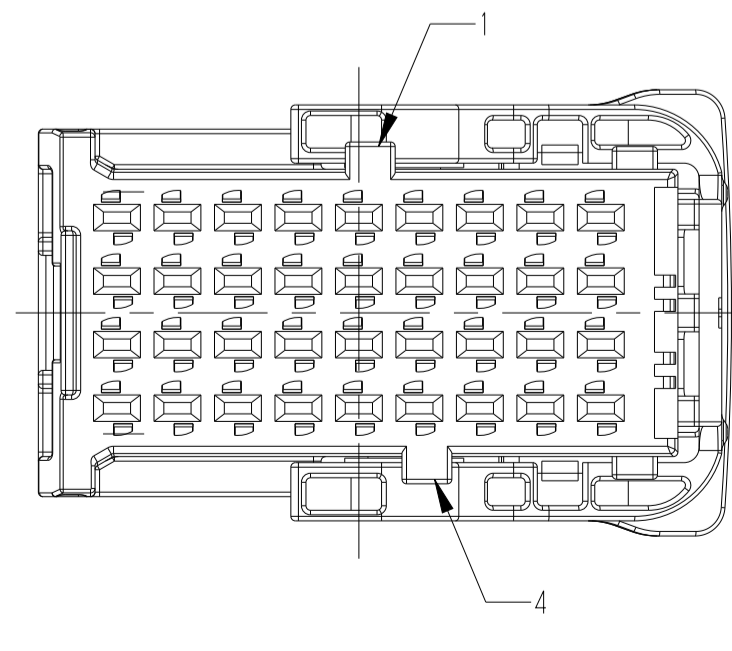
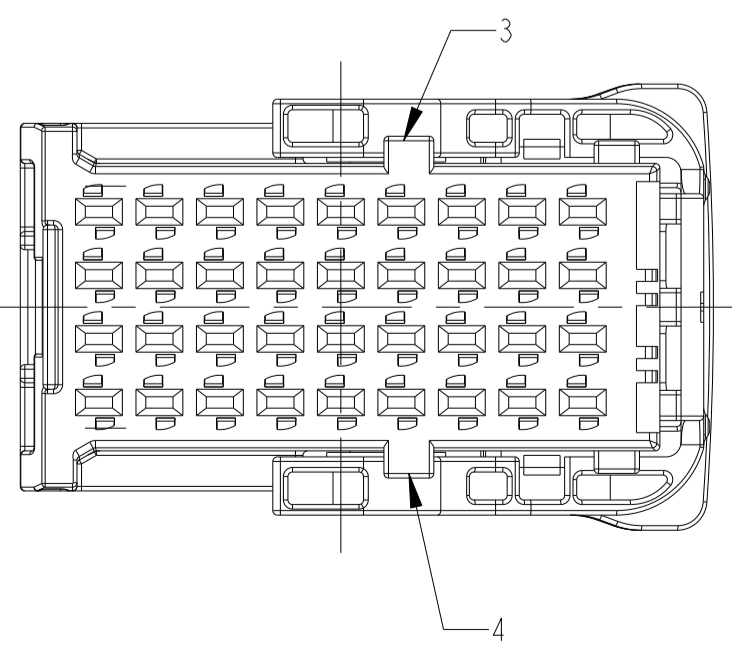
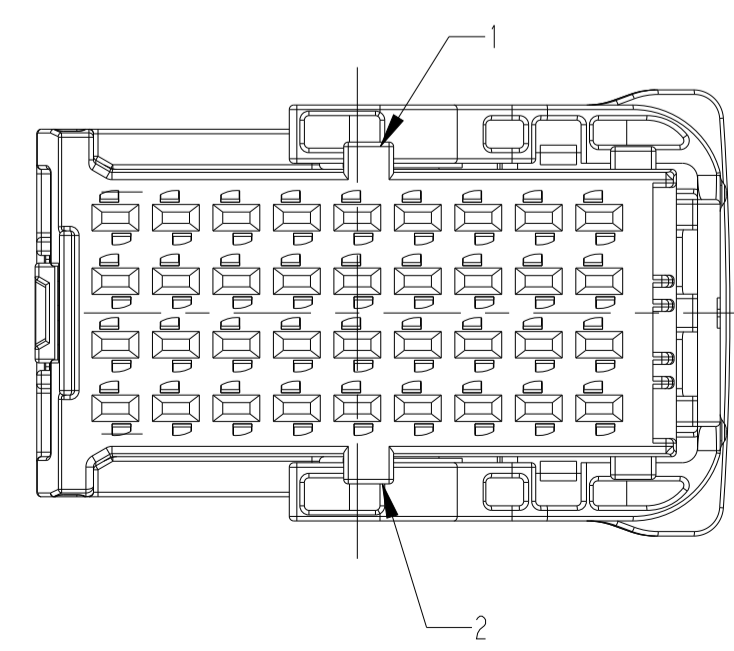
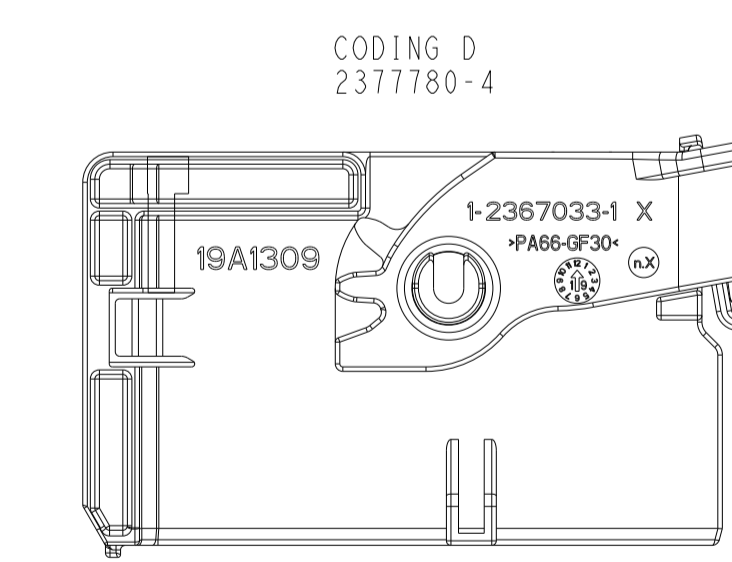
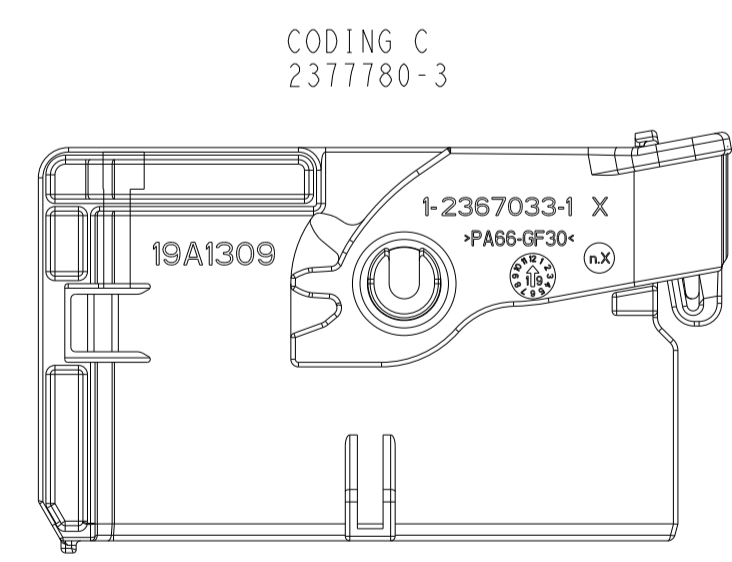
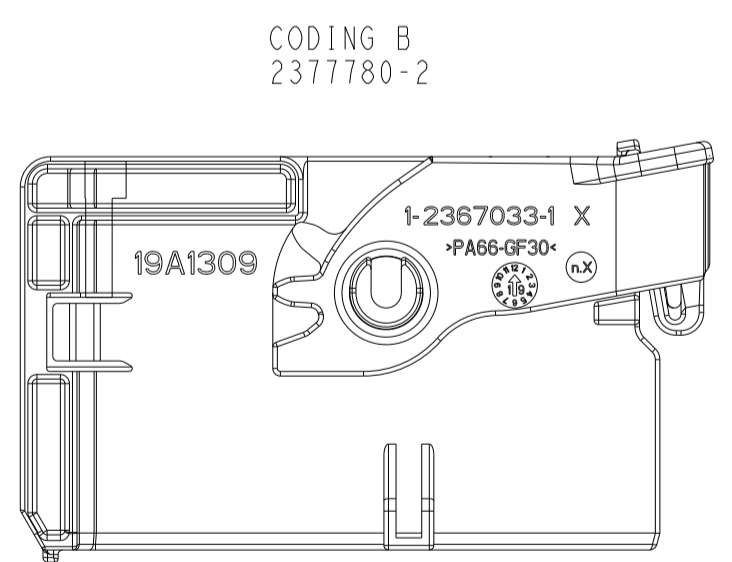
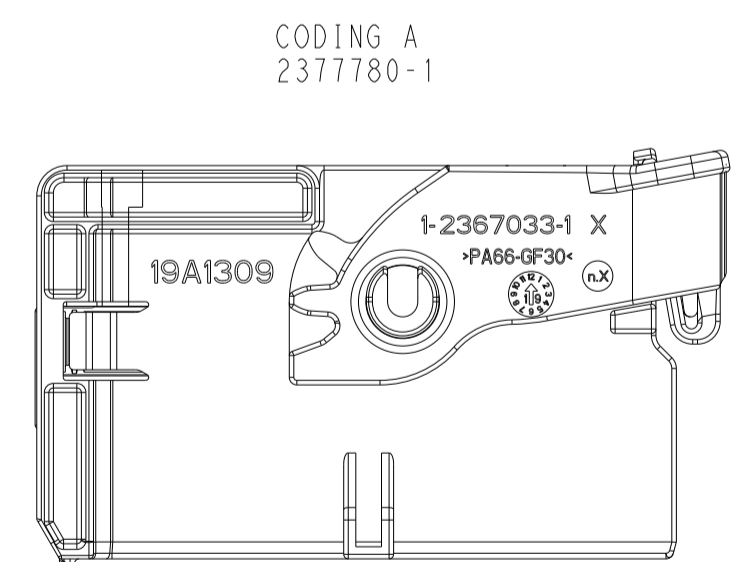
REFERENCE VIEW
FOR PLUG ASSEMBLY WITH LEVER OPEN POSITION

NOTES:

1. THIS PLUG MATES WITH TAB 237783-X. (X=1, 2, 3, 4 FOR VARIOUS CODE).
2. MATERIAL: SEE TABLE.
3. IDENTIFICATION FOR CABLE PINOUT.
4. DATE CODE: IDENTIFIES THE YEAR, MONTH, DAY AND HOUR OF ASSEMBLY. SUCH AS :19A1309
 19: YEAR, FIRST AND SECOND DIGITS (19=2019)
 A: MONTH, THIRD DIGIT, EXCLUDING 1, A=JAN, B=FEB, C=MARCH...H=AUGUST, J=SEPTEMBER...
 13: DAY, FOURTH AND FIFTH DIGITS(14=14th DAY)
 09: HOUR, SIXTH AND SEVENTH DIGITS(11=11AM)
5. INSTALL LEVER AND SECOND LOCK ONTO HOUSING AS SHOWN. THE ASSEMBLY PROCESS MUST NOT DAMAGE HOUSING AND SECOND LOCK AND LEVER.
6. VERIFY THE SECOND LOCK SEATED ON PRE-LOCK POSITION FOR DELIVERY. PULL SECOND LOCK TO PRE-LOCK BEFORE TERMINAL INSERTION IN CASE OF SECOND LOCK BEING HIT TO END-LOCK POSITION.
7. REFER TO 114-18386, FOR MCP 1.5K CONTACT SYSTEM APPLICATION SPECIFICATION. APPLICABLE TERMINAL PART NUMBERS AND WIRE SIZE SHOWN AS BELOW FOR RECOMMEND. CONSULT TE CONNECTIVITY FOR MORE APPLICATION INFORMATION.

1534334-1	TIN	1.5	Ø2.2-Ø2.4
1241374-1	TIN	0.5-1.0	Ø1.4-Ø2.1
TERMINAL PN	TERMINAL PLATING	WIRE SIZE (mm ²)	WIRE INSULATION OD (mm)

QTY	REQD	PER	ASSY	DESCRIPTION	MATERIAL	COLOUR	ITEM NO
1	1	1	1	LEVER	PA66-GF30	YELLOW	3
1	1	1	1	SECOND LOCK	PA66-GF30	YELLOW	2
1				HOUSING.CODE D	PA66-GF30	BLUE	1
	1			HOUSING.CODE C	PA66-GF30	GREEN	
		1		HOUSING.CODE B	PA66-GF30	PURPLE	
			1	HOUSING.CODE A	PA66-GF30	BROWN	
-4	-3	-2	-1	DESCRIPTION	MATERIAL	COLOUR	ITEM NO
D	C	B	A	CODING			
A	A	A	A	REVISION OF EACH ASSY NO (WHEN BLANK, USE DWG REVISION)			
17.4	17.4	17.4	17.4	WEIGHT OF EACH ASSY NO (g)			
QTY REQD PER ASSY				PARTS LIST			



THIS DRAWING IS A CONTROLLED DOCUMENT.

OWN: L. GAO	23AUG2020		NAME: 36POS, MCP 1.5K, PLUG HSG ASSY
CHK: E. JIANG	23AUG2020		PRODUCT SPEC: -
APVD: J. YIN	23AUG2020		APPLICATION SPEC: 108-18957
DIMENSIONS: mm			SIZE: A
TOLERANCES UNLESS OTHERWISE SPECIFIED:		DRAWING NO: C=2377780	
0 PLC	±0.5	RESTRICTED TO: -	
1 PLC	±0.3	SCALE: 2:1	
2 PLC	±0.20	SHEET: 1 OF 1	
3 PLC	±0.100	REV: A3	
4 PLC	±0.100		
ANGLES	±0.0500		
FINISH	±0.0500		
MATERIAL: -	-	CUSTOMER DRAWING	

X-ON Electronics

Largest Supplier of Electrical and Electronic Components

Click to view similar products for [Automotive Connectors](#) category:

Click to view products by [TE Connectivity](#) manufacturer:

Other Similar products are found below :

[003-018-000](#) [60993906-B](#) [72.330.1035.1](#) [F358300-B](#) [F407400](#) [776880-1](#) [827153-1](#) [8N1515-32-24P](#) [9-1326729-8](#) [925474-1](#) [928905-1](#)
[964562-4](#) [968782-1](#) [98891-1012](#) [12004475-L](#) [12041318-B](#) [12052466](#) [12015909](#) [1-21030-1](#) [12041318](#) [12047957](#) [12185550](#) [12336-12](#)
[12147304](#) [1-326211-1](#) [13681974](#) [13783086](#) [13832576](#) [13542772](#) [13675513](#) [1428188-1](#) [1437287-3](#) [1428188-2](#) [DS07-19S-5020](#) [1456983-5](#)
[1456987-7](#) [APD-7CP-H](#) [APK-SB25A10L](#) [1452931-2](#) [15336198](#) [15491972](#) [15305306](#) [15396680](#) [15425613](#) [15518544](#) [15522351](#) [1719636-1](#)
[172190-2](#) [172190-5](#) [192900-0402](#)