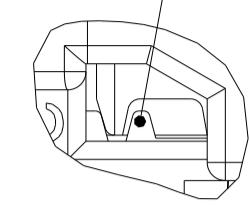
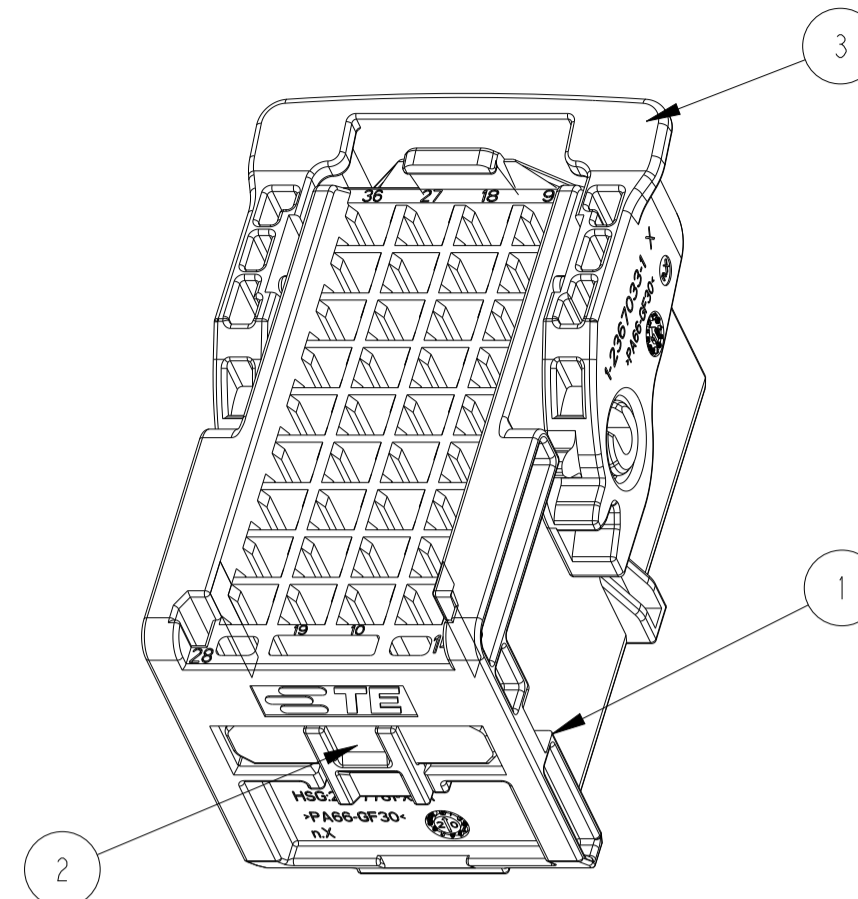
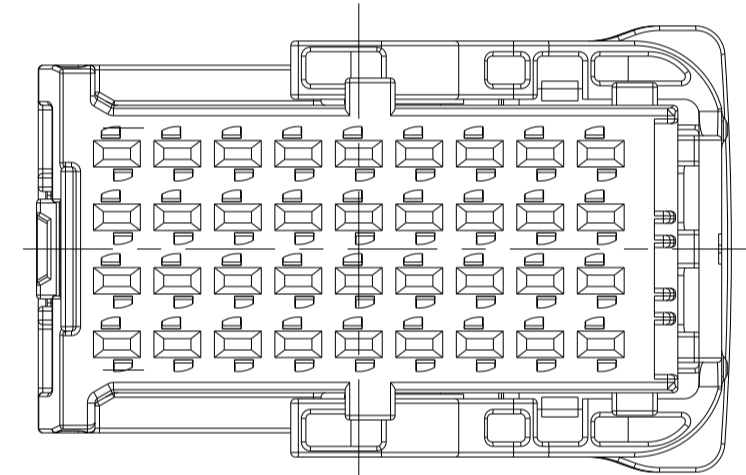
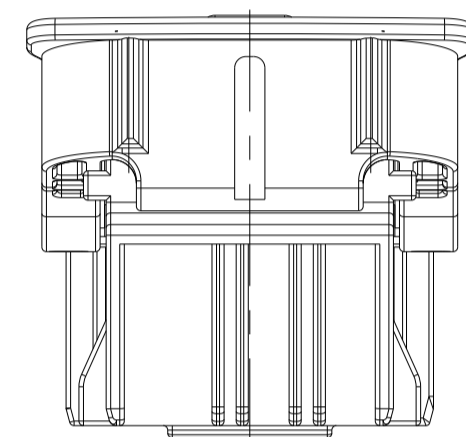
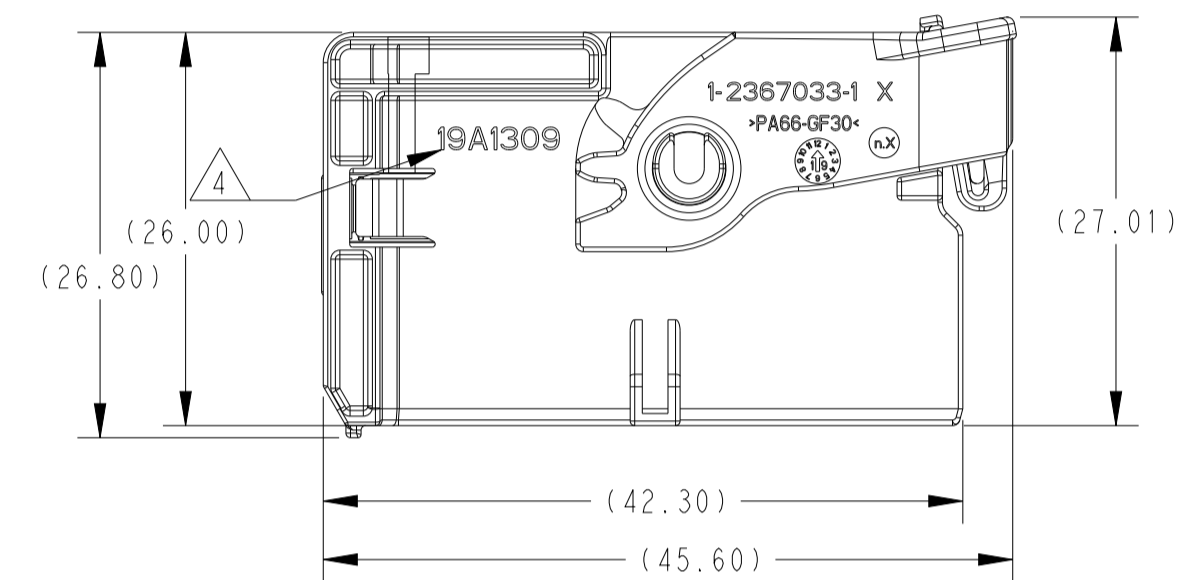
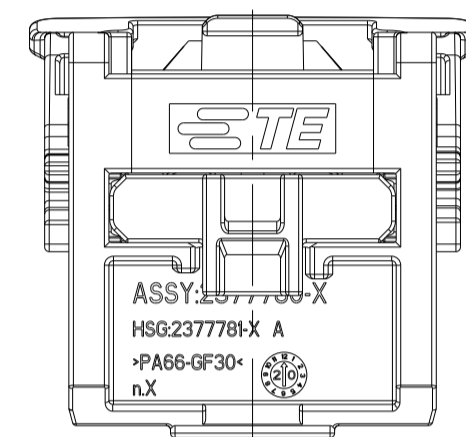
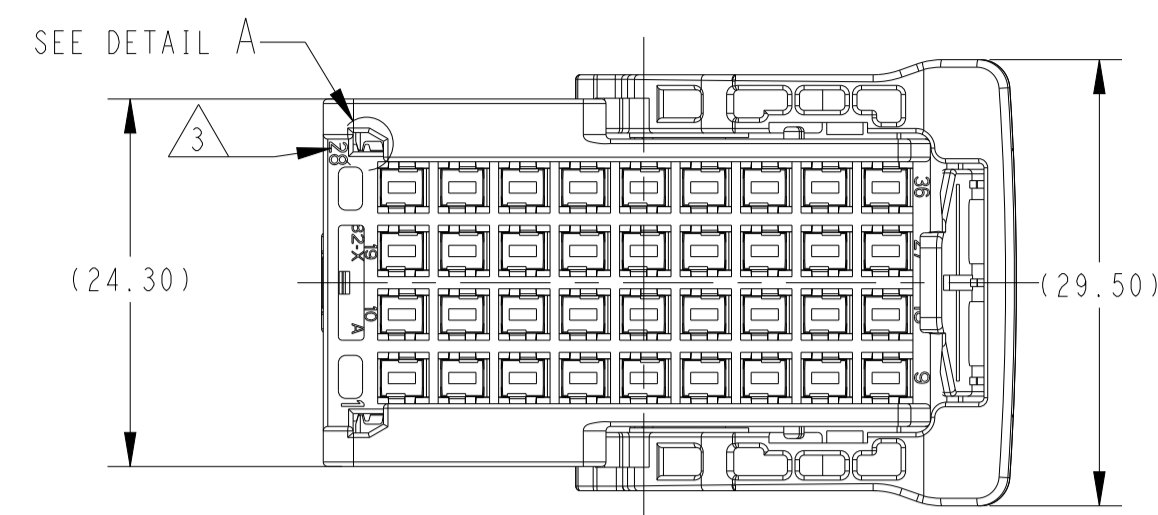


237780-1 SHOWN AS

SECOND LOCK IN PRE-LOCK POSITION

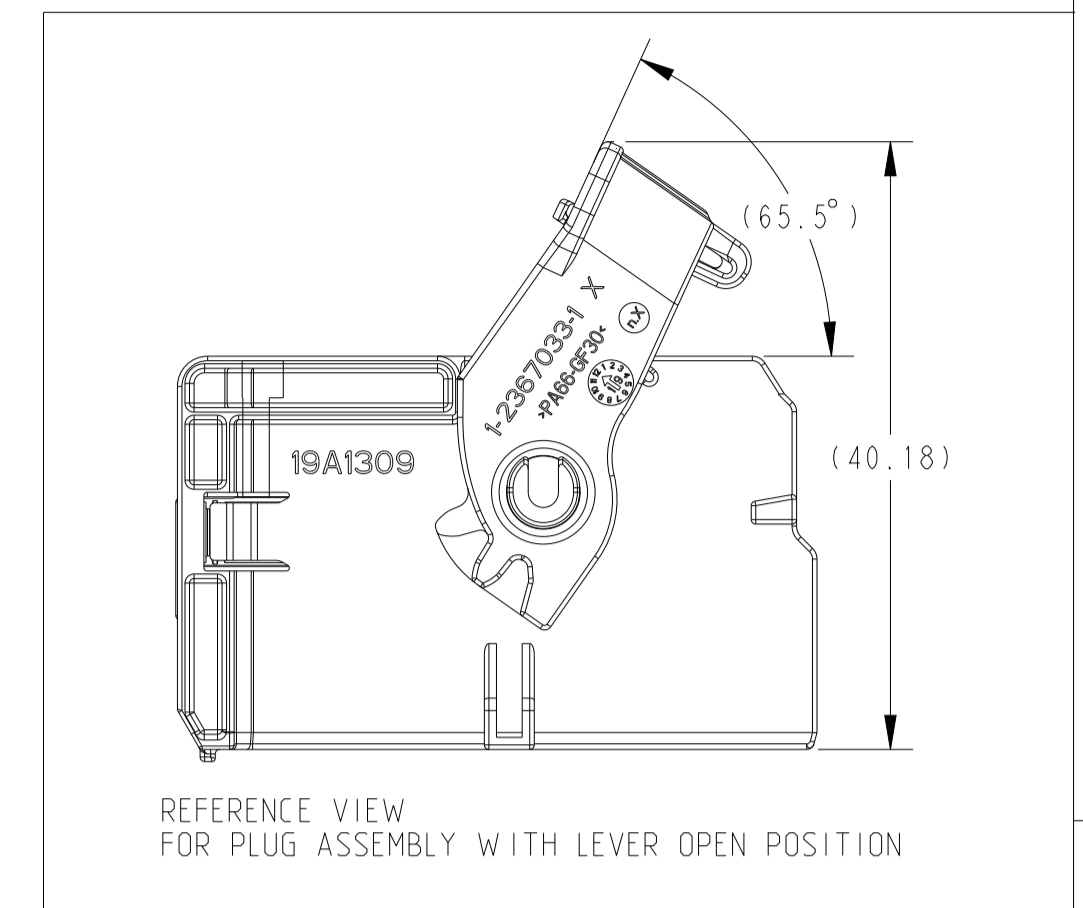


DETAIL A
SCALE 8:1



DELIVERY CONDITION
LEVER IN LOCKED POSITION

REVISIONS				
P	LTN	DESCRIPTION	DATE	OWN APVD
A		INITIAL RELEASE	24AUG2020	L.G I.Y
A1		SEE ECR-20-016351	30NOV2020	L.G I.Y
A2		SEE ECR-20-017290	07DEC2020	L.G I.Y
A3		SEE ECR-21-003179	16MAR2021	L.G I.Y



NOTES:

1. THIS PLUG MATES WITH TAB 237783-X. (X=1, 2, 3, 4 FOR VARIOUS CODE).
2. MATERIAL: SEE TABLE.
3. IDENTIFICATION FOR CABLE PINOUT.
4. DATE CODE: IDENTIFIES THE YEAR, MONTH, DAY AND HOUR OF ASSEMBLY. SUCH AS :19A1309
 19: YEAR, FIRST AND SECOND DIGITS (19=2019)
 A: MONTH, THIRD DIGIT, EXCLUDING 1, A=JAN, B=FEB, C=MARCH...H=AUGUST, J=SEPTEMBER...
 13: DAY, FOURTH AND FIFTH DIGITS(14=14th DAY)
 09: HOUR, SIXTH AND SEVENTH DIGITS(11=11AM)
5. INSTALL LEVER AND SECOND LOCK ONTO HOUSING AS SHOWN. THE ASSEMBLY PROCESS MUST NOT DAMAGE HOUSING AND SECOND LOCK AND LEVER.
6. VERIFY THE SECOND LOCK SEATED ON PRE-LOCK POSITION FOR DELIVERY. PULL SECOND LOCK TO PRE-LOCK BEFORE TERMINAL INSERTION IN CASE OF SECOND LOCK BEING HIT TO END-LOCK POSITION.
7. REFER TO 114-18386, FOR MCP 1.5K CONTACT SYSTEM APPLICATION SPECIFICATION. APPLICABLE TERMINAL PART NUMBERS AND WIRE SIZE SHOWN AS BELOW FOR RECOMMEND. CONSULT TE CONNECTIVITY FOR MORE APPLICATION INFORMATION.

1534334-1	TIN	1.5	Ø2.2-Ø2.4
1241374-1	TIN	0.5-1.0	Ø1.4-Ø2.1
TERMINAL PN	TERMINAL PLATING	WIRE SIZE (mm ²)	WIRE INSULATION OD (mm)

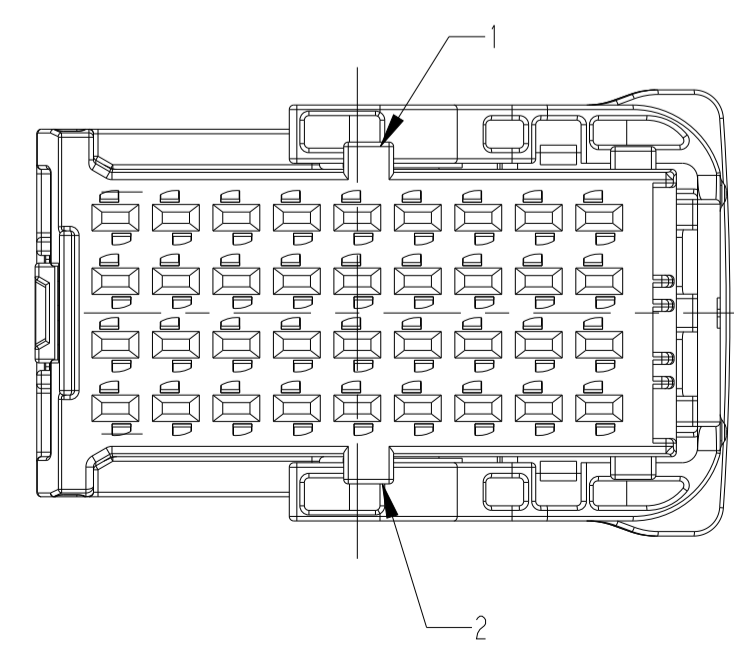
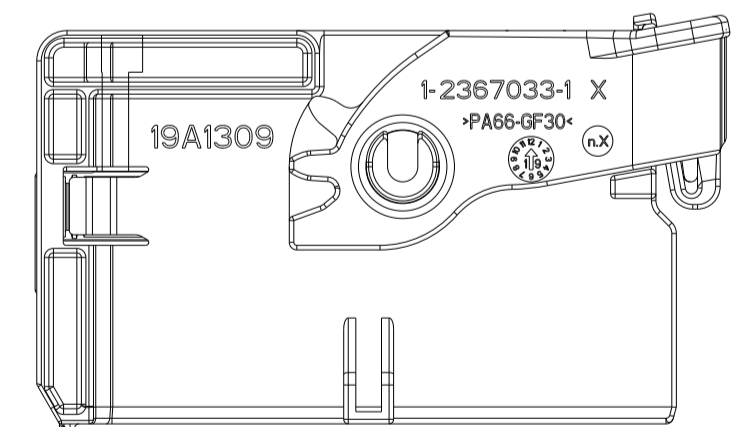
1	1	1	1	LEVER	PA66-GF30	YELLOW	3
1	1	1	1	SECOND LOCK	PA66-GF30	YELLOW	2
1				HOUSING.CODE D	PA66-GF30	BLUE	1
	1			HOUSING.CODE C	PA66-GF30	GREEN	
		1		HOUSING.CODE B	PA66-GF30	PURPLE	
			1	HOUSING.CODE A	PA66-GF30	BROWN	
-4	-3	-2	-1	DESCRIPTION	MATERIAL	COLOUR	ITEM NO
				CODING			
A	A	A	A	REVISION OF EACH ASSY NO (WHEN BLANK, USE DWG REVISION)			
17.4	17.4	17.4	17.4	WEIGHT OF EACH ASSY NO (g)			
QTY REQD PER ASSY				PARTS LIST			

THIS DRAWING IS A CONTROLLED DOCUMENT.

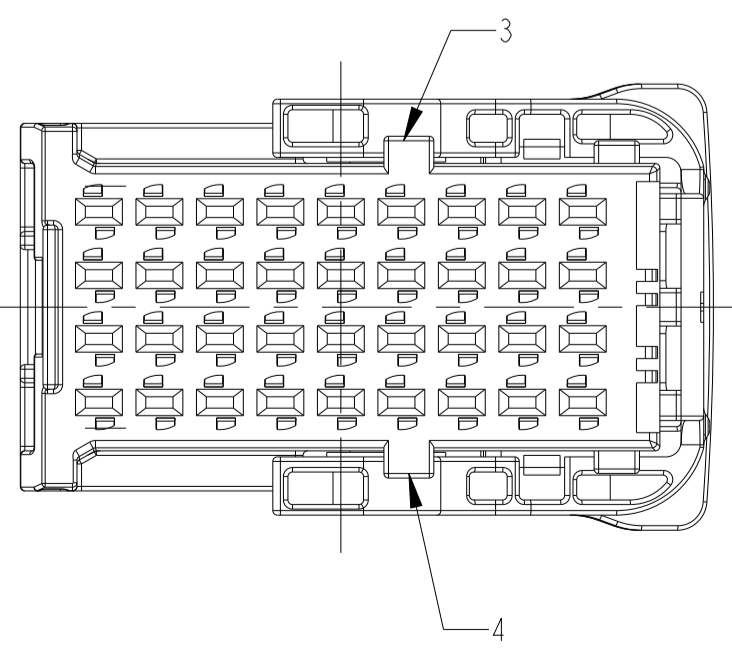
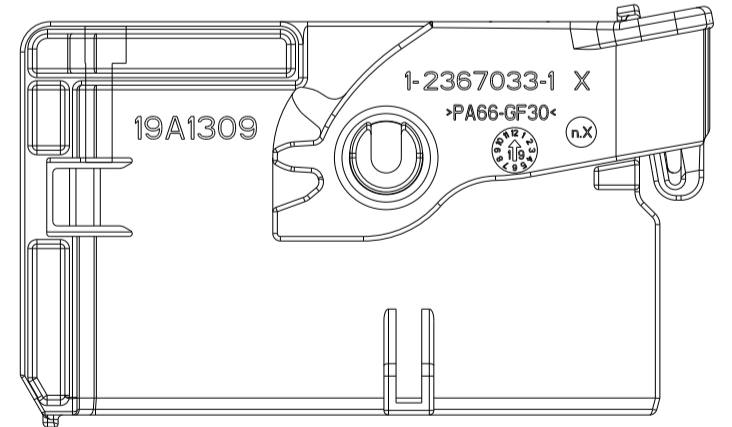
OWN	L.GAO	23AUG2020
CHK	E.JIANG	23AUG2020
APVD	J.YIN	23AUG2020
PRODUCT SPEC	NAME 36POS, MCP 1.5K, PLUG HSG ASSY	
APPLICATION SPEC	108-18957	
SIZE	CAGE CODE	DRAWING NO
WEIGHT	A 00779	©=2377780
CUSTOMER DRAWING	SCALE 2:1	SHEET 1 OF 1 REV A3

TE Connectivity

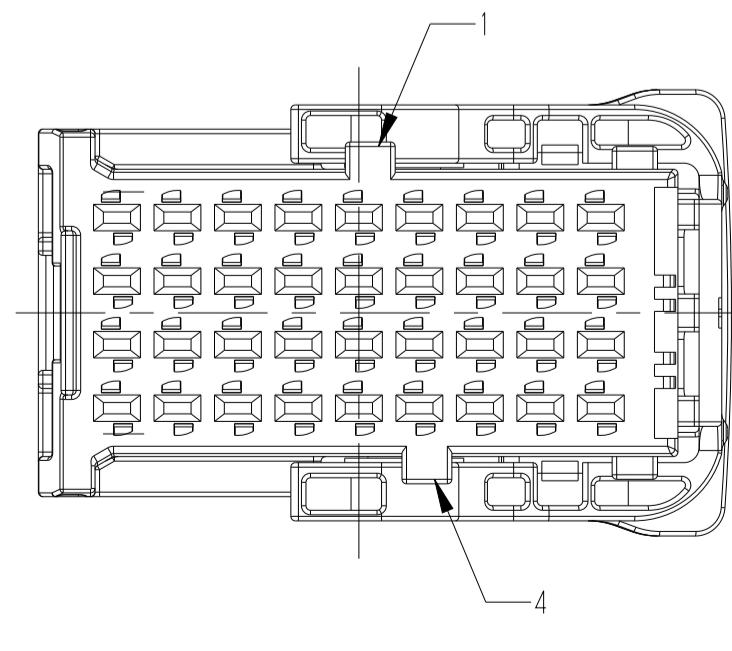
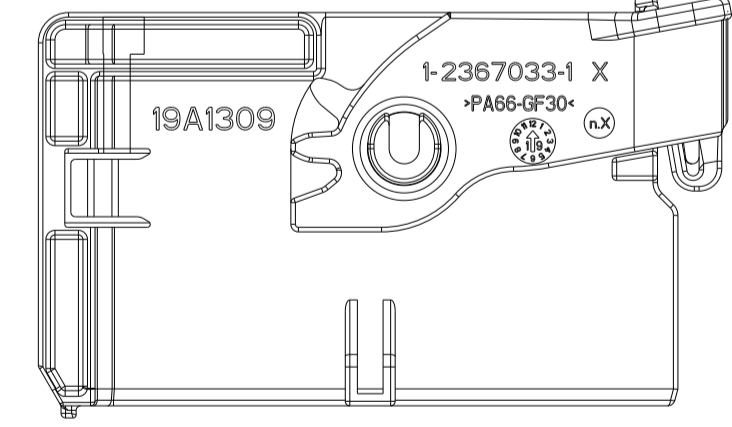
CODING A
237780-1



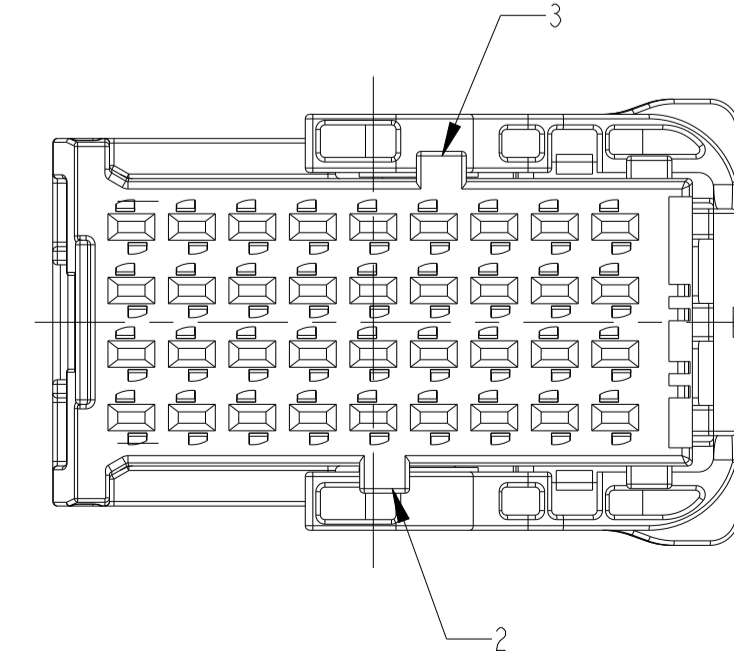
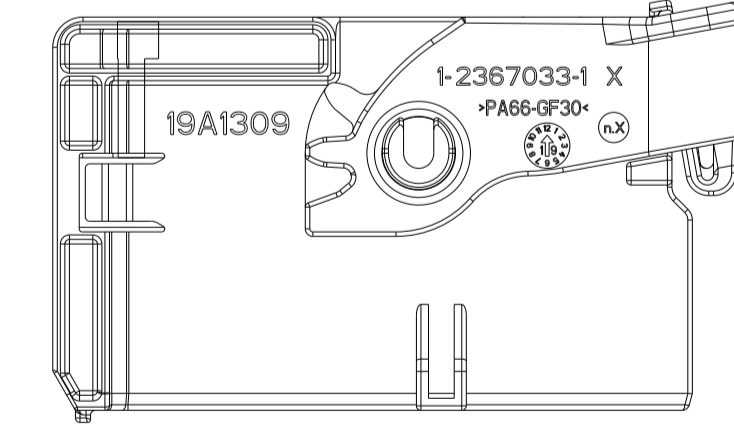
CODING B
237780-2



CODING C
237780-3



CODING D
237780-4



X-ON Electronics

Largest Supplier of Electrical and Electronic Components

Click to view similar products for [Automotive Connectors](#) category:

Click to view products by [TE Connectivity](#) manufacturer:

Other Similar products are found below :

[003-018-000](#) [60993906-B](#) [72.330.1035.1](#) [776880-1](#) [827153-1](#) [9-1326729-8](#) [9-221607-5](#) [925474-1](#) [928905-1](#) [964562-4](#) [968782-1](#) [12004468](#)
[12004475-L](#) [12004483](#) [12052466](#) [12066163](#) [12015909](#) [12077753](#) [1-21030-1](#) [12047957](#) [12047958](#) [12084688](#) [12185550](#) [12336-12](#) [1-](#)
[326211-1](#) [13681974](#) [13688972](#) [13755420](#) [13779834](#) [13783086](#) [13843152](#) [13522378](#) [13581967](#) [13669624](#) [13675513](#) [13753471](#) [13946876](#)
[13953457](#) [13955963](#) [13964573](#) [13971791](#) [13790534-L](#) [13797473](#) [13805590](#) [13888202](#) [1428188-1](#) [1437287-3](#) [1428188-2](#) [DS07-19S-5020](#)
[1456983-5](#)