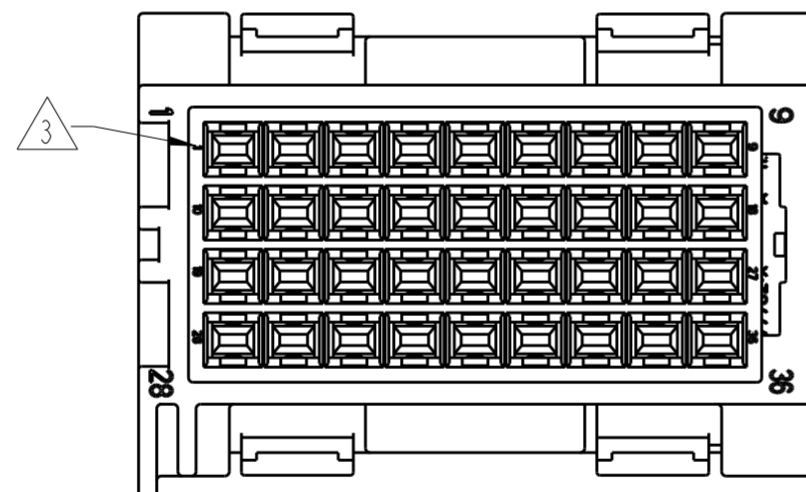
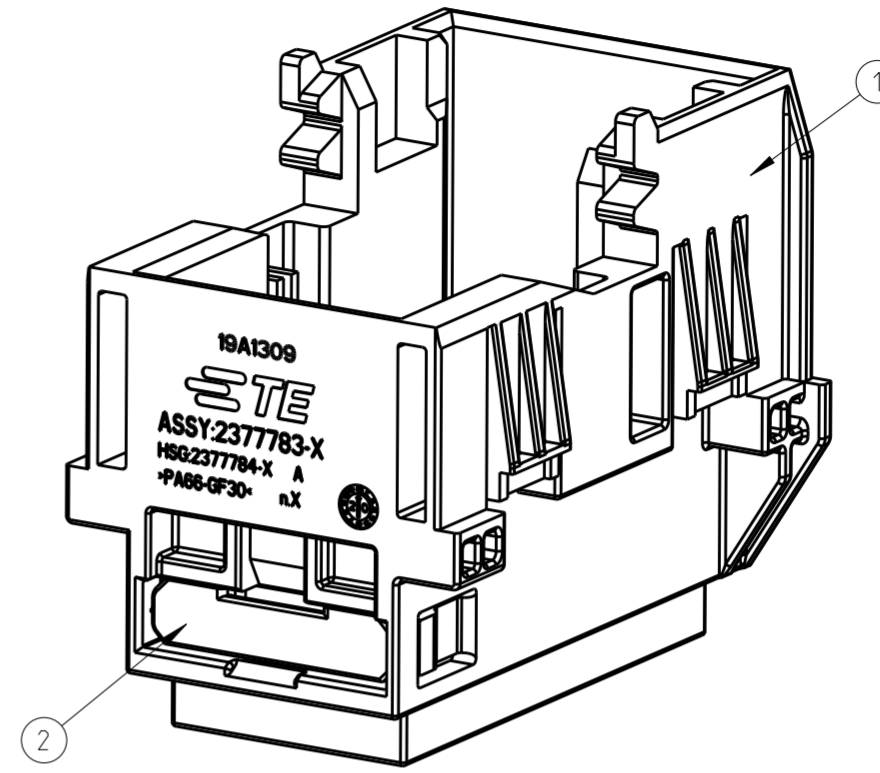
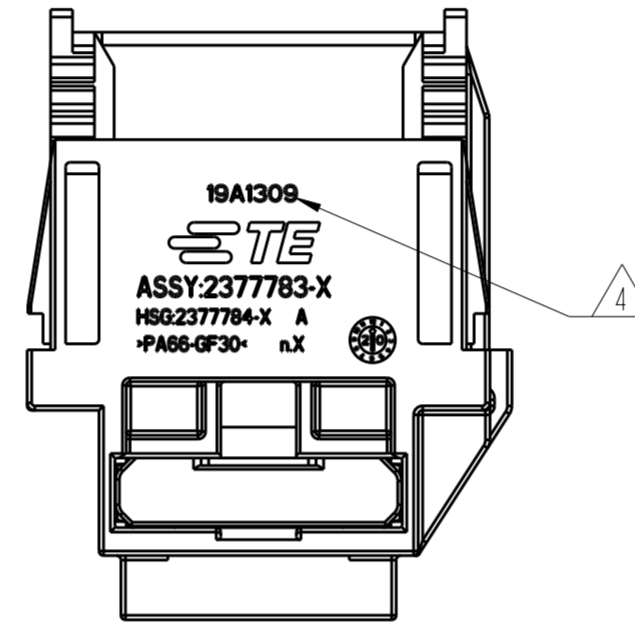
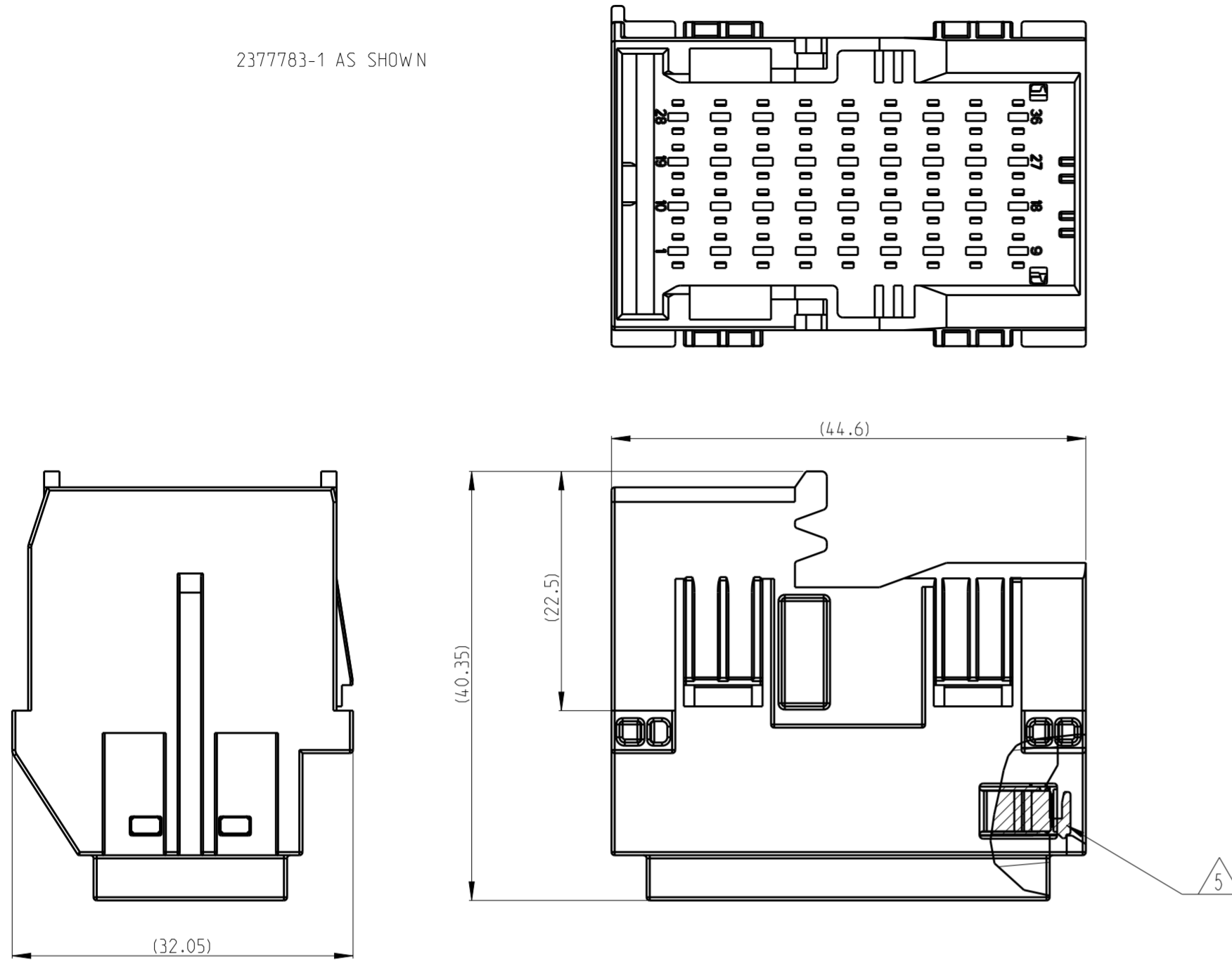


2377783-1 AS SHOWN

REVISIONS					
P	LTR	DESCRIPTION	DATE	DWN	APVD
A		INITIAL RELEASE	31AUG2020	V.T	I.Y
A1		See ECR-20-016351	30NOV2020	L.G	I.Y



CODING A PN: 2377783-1		CODING B PN: 2377783-2		CODING C PN: 2377783-3		CODING D PN: 2377783-4	
1	1	1	1	YELLOW	PA66-GF30	SECOND LOCK	2
1				BLUE	PA66-GF30	HOUSING CODE D	1
	1			GREEN	PA66-GF30	HOUSING CODE C	
		1		PURPLE	PA66-GF30	HOUSING CODE B	
			1	BROWN	PA66-GF30	HOUSING CODE A	
QTY. REQUEST PER ASSY				COLOR	MATERIAL	DESCRIPTION	ITEM NO
19.28	19.28	19.28	19.28	WEIGHT OF EACH ASSY NO. (g)			
A	A	A	A	REVISION OF EACH ASSY NO.			
2377783-4	2377783-3	2377783-2	2377783-1	TE ASSEMBLY PN			

NOTES:

- THIS TAB MATES WITH 2377780-X PLUG (X=1, 2, 3, 4 FOR RELEVANT CODE).
- MATERIAL: SEE DRAWING TABLE
- IDENTIFICATION FOR CABLE PINOUT.
- DATE CODE: IDENTIFIES THE YEAR, MONTH, DAY AND HOUR OF ASSEMBLY.  
YEAR: FIRST AND SECOND DIGITS(19=2019)  
MONTH: THIRD DIGIT , EXCLUDING 1 , A=JAN, B=FEB, C=MARCH...(A=JANUARY)  
DAY: FOURTH AND FIFTH DIGITS(13=13th DAY)  
HOUR: SIXTH AND SEVENTH DIGITS(09=09AM)
- PULL SECOND LOCK TO PRE-LOCK BEFORE TERMINAL INSERTION IN CASE OF SECOND LOCK BEING HIT TO END-LOCK POSITION.
- REFER TO 114-18082 FOR TAB 1.6x0.6 TERMINAL APPLICATION SPECIFICATION. APPLICABLE TERMINAL PART NUMBERS AND WIRE SIZE SHOWN AS BELOW FOR RECOMMEND, CONSULT TE CONNECTIVITY FOR MORE APPLICATION INFORMATION.

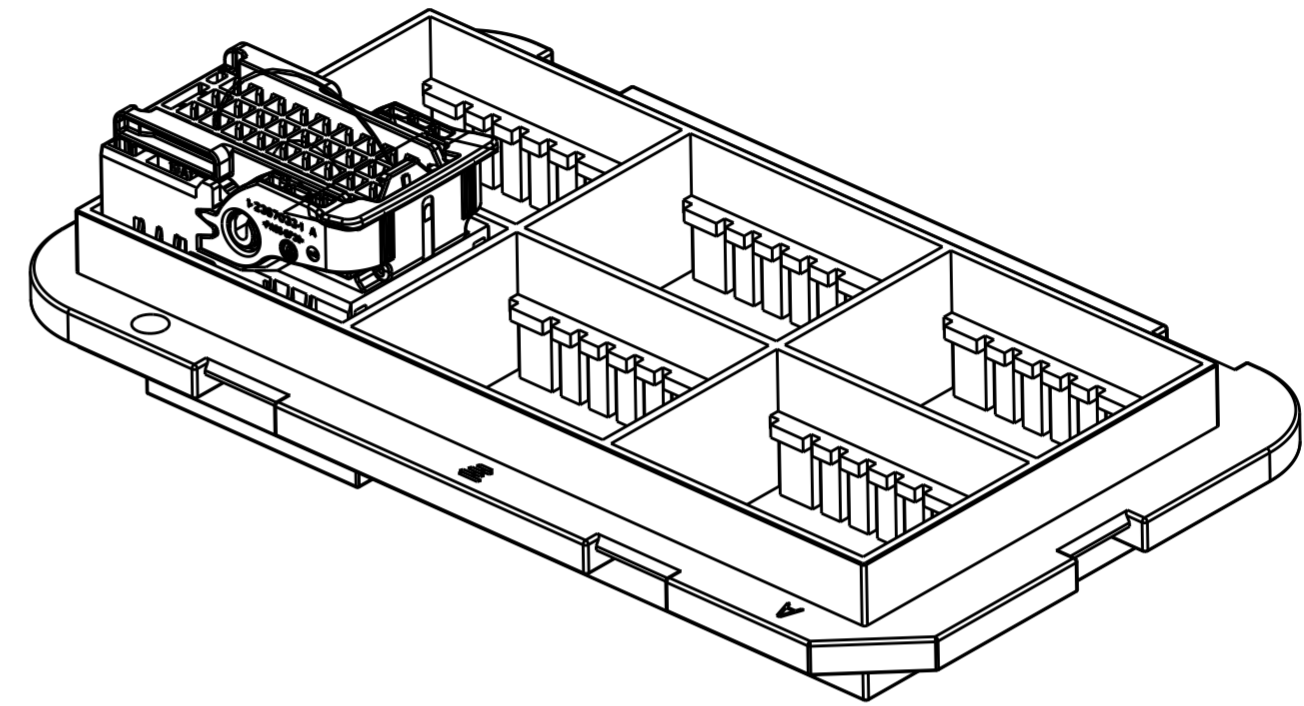
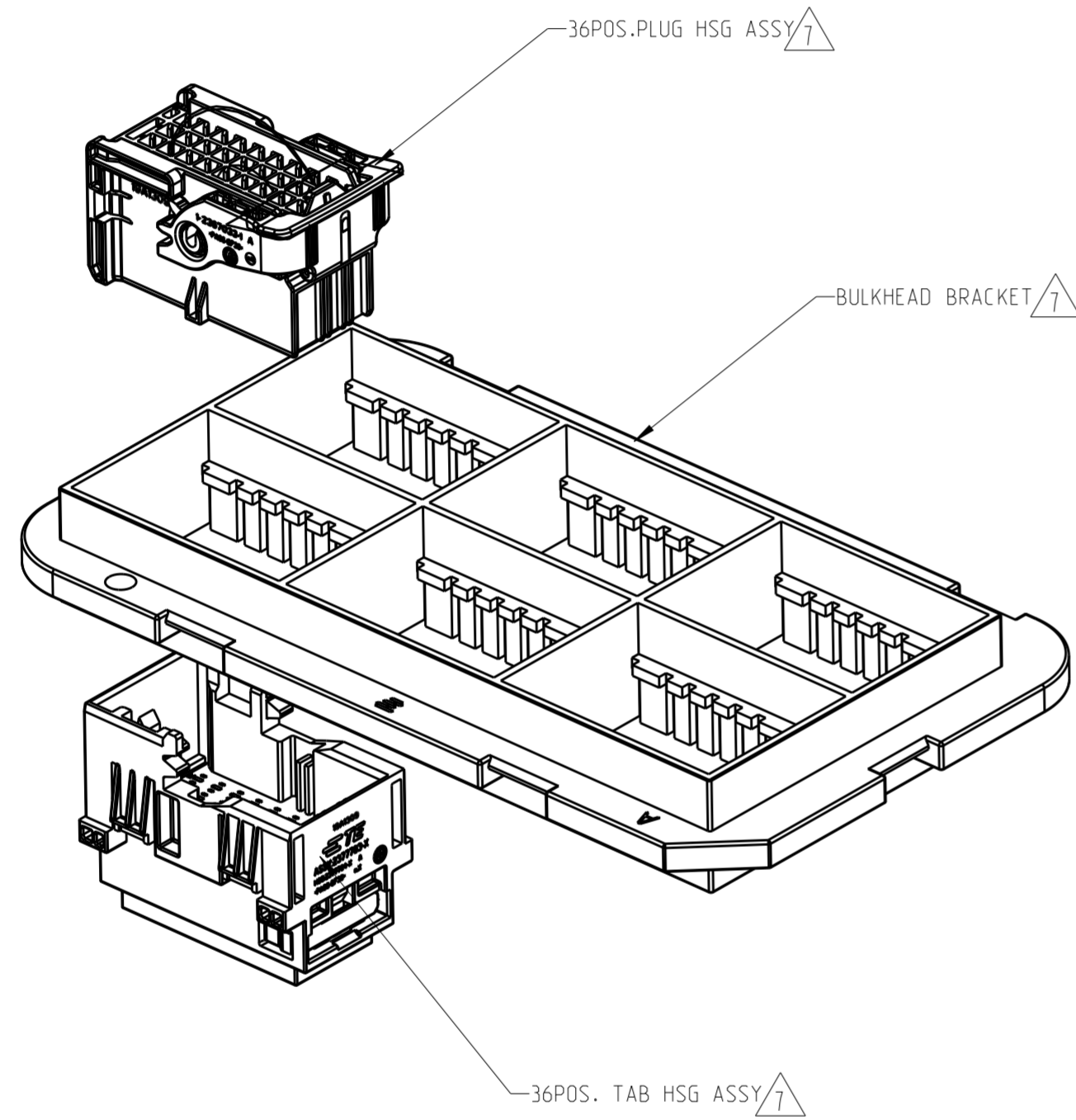
TERMINAL PN	TERMINAL PLATING	WIRE SIZE (MM2)	INSULATION WIRES OD(MM)
1241846-1	TIN	1.5	Ø2.2-Ø2.4
964267-1	TIN	0.5-1.0	Ø1.4-Ø2.1

THIS DRAWING IS A CONTROLLED DOCUMENT.

DIMENSIONS: mm	TOLERANCES UNLESS OTHERWISE SPECIFIED:	DWN V.TANG 31AUG2020	TE Connectivity NAME 36POS. 1.6x0.6 TAB HSG. ASSY SIZE CAGE CODE DRAWING NO RESTRICTED TO A2100779 C-2377783 SCALE 2:1 SHEET 1 OF 2 REV A1
	0 PLC ±0.5	CHK E. JIANG 31AUG2020	
	1 PLC ±0.3	APVD J. LYIN 31AUG2020	
	2 PLC ±0.2	PRODUCT SPEC 108-18957	
	3 PLC ±0.1	APPLICATION SPEC -	
	4 PLC ±0.05	WEIGHT -	
MATERIAL -	ANGLES ±5°	CUSTOMER DRAWING	
	FINISH -		

P	LTR	DESCRIPTION	DATE	DWN	APVD
		SEE SHEET 1			

APPLICATION AS SHOWN



NOTES:

- ⑦ .36POS.TAB AND PLUG HSG ASSY MATES WITH BULKHEAD BRACKET.
- 36POS. HSG ASSY P/N: MALE SIDE:2377783-\*.FEMALE SIDE:2377780-\*.
- BULKHEAD BRACKET P/N: 2050752-1 OR FOLLOW DIMENSIONS ON INTERFACE.
- IF THERE ARE ANY OTHER APPLICATIONS FOR THIS BRACKET, PLEASE CONFIRM WITH TE CONNECTIVITY FIRST.

THIS DRAWING IS A CONTROLLED DOCUMENT.		DWN V. TANG 31AUG2020																
DIMENSIONS: mm		CHK E. JIANG 31AUG2020																
TOLERANCES UNLESS OTHERWISE SPECIFIED:		APVD J. YIN 31AUG2020	NAME 36POS. 1.6x0.6 TAB HSG. ASSY															
<table border="0"> <tr> <td>0 PLC</td> <td>±0.5</td> </tr> <tr> <td>1 PLC</td> <td>±0.3</td> </tr> <tr> <td>2 PLC</td> <td>±0.2</td> </tr> <tr> <td>3 PLC</td> <td>±0.1</td> </tr> <tr> <td>4 PLC</td> <td>±0.05</td> </tr> <tr> <td>ANGLES</td> <td>±5°</td> </tr> <tr> <td>FINISH</td> <td>-</td> </tr> </table>		0 PLC	±0.5	1 PLC	±0.3	2 PLC	±0.2	3 PLC	±0.1	4 PLC	±0.05	ANGLES	±5°	FINISH	-	PRODUCT SPEC 108-18957	SIZE A2	
0 PLC	±0.5																	
1 PLC	±0.3																	
2 PLC	±0.2																	
3 PLC	±0.1																	
4 PLC	±0.05																	
ANGLES	±5°																	
FINISH	-																	
MATERIAL		APPLICATION SPEC -	CAGE CODE 100779	DRAWING NO C-2377783														
-		WEIGHT -	RESTRICTED TO -															
-		CUSTOMER DRAWING	SCALE 2:1	SHEET 2 OF 2														
			REV A1															

## X-ON Electronics

Largest Supplier of Electrical and Electronic Components

*Click to view similar products for [Automotive Connectors](#) category:*

*Click to view products by [TE Connectivity](#) manufacturer:*

Other Similar products are found below :

[003-018-000](#) [60993906-B](#) [72.330.1035.1](#) [776880-1](#) [827153-1](#) [9-1326729-8](#) [9-221607-5](#) [925474-1](#) [928905-1](#) [964562-4](#) [968782-1](#) [98891-1012](#) [12004468](#) [12004475-L](#) [12004483](#) [12052466](#) [12066163](#) [12015909](#) [12077753](#) [1-21030-1](#) [12047957](#) [12047958](#) [12084688](#) [12185550](#) [12336-12](#) [1-326211-1](#) [13681974](#) [13688972](#) [13755420](#) [13779834](#) [13783086](#) [13843152](#) [13522378](#) [13581967](#) [13669624](#) [13675513](#) [13753471](#) [13946876](#) [13953457](#) [13955963](#) [13964573](#) [13971791](#) [13790534-L](#) [13797473](#) [13805590](#) [13888202](#) [1428188-1](#) [1437287-3](#) [1428188-2](#) [DS07-19S-5020](#)