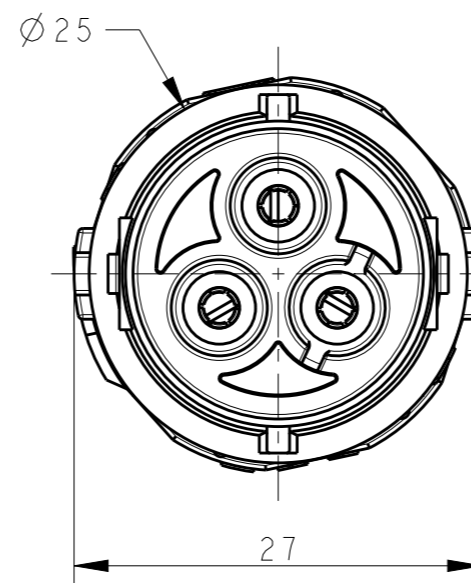
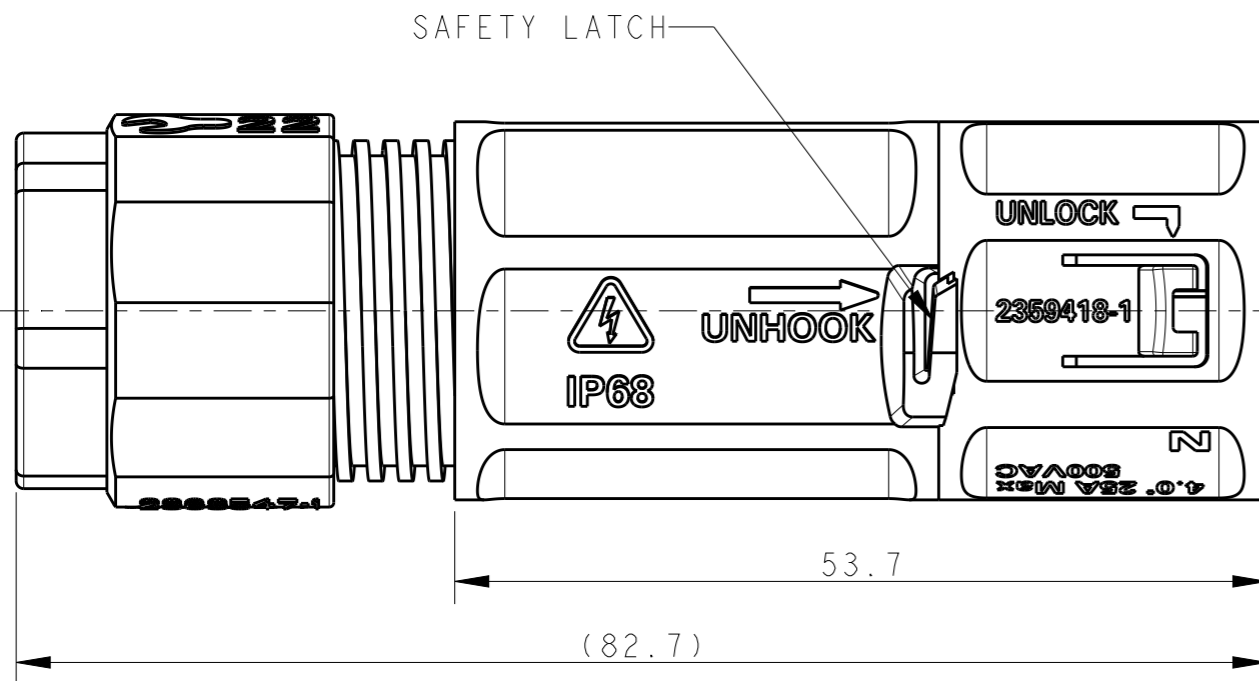


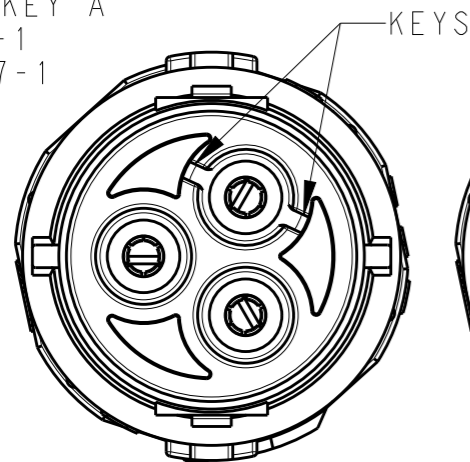
P	LTR	DESCRIPTION	DATE	DWN	APVD
1		INITIAL ISSUE	28AUG2020	SM	MZ
2		INFORMATION ADDED TO SHEET 2	03SEP2020	SM	MZ
3		DRAWING FORMAT UPDATES	24NOV2020	SM	-
A		PRODUCT UNDER TESTING	24NOV2020	SM	MZ



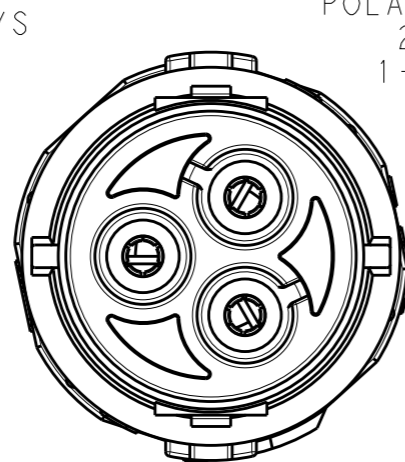
NOTES:

- MATERIALS:
PLASTICS: PBT+PC ALLOY, UL-V0, UV-F1
CONTACTS: COPPER ALLOY, TIN PLATED
- OPERATING RATINGS :
VOLTAGE (max): 600Vac Max
CURRENT (max): 25A ON 4.0mm² & 20A ON 12AWG
TEMPERATURE : -40°C TO 85°C
IP RATING : IP67 & IP68
- FOR ASSEMBLY INSTRUCTIONS, REFER APPLICATION SPECIFICATION 114-133123
- PACKAGING: MOQ 200 pcs IN PE BAG

POLARIZING KEY A
2379237-1
1-2379237-1

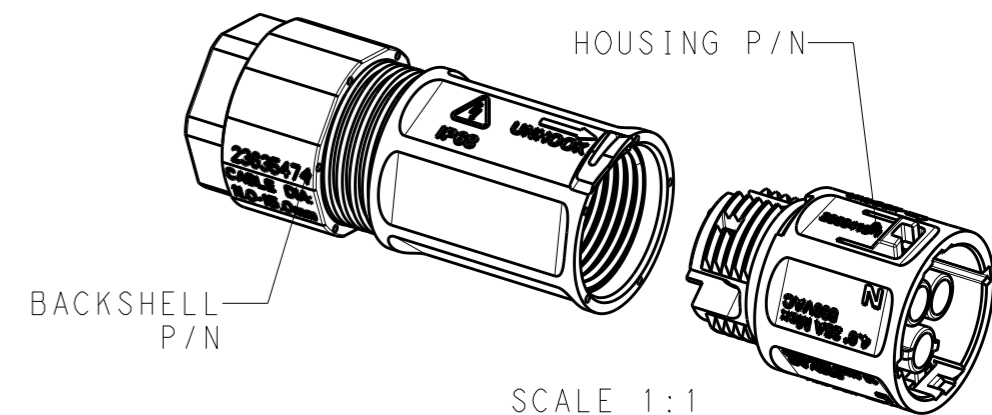


POLARIZING KEY B
2379237-2
1-2379237-2

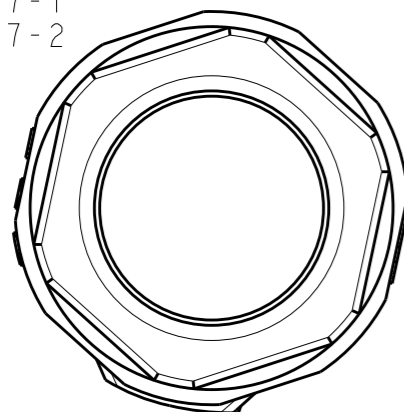


PRODUCT UNDER TESTING

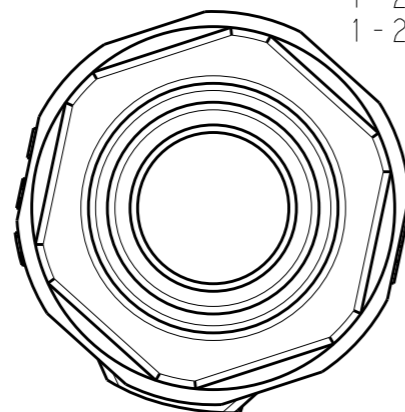
CONTACT PRODUCT ENGINEERING BEFORE USING THIS PRINT



BACKSHELL FOR
2379237-1
2379237-2



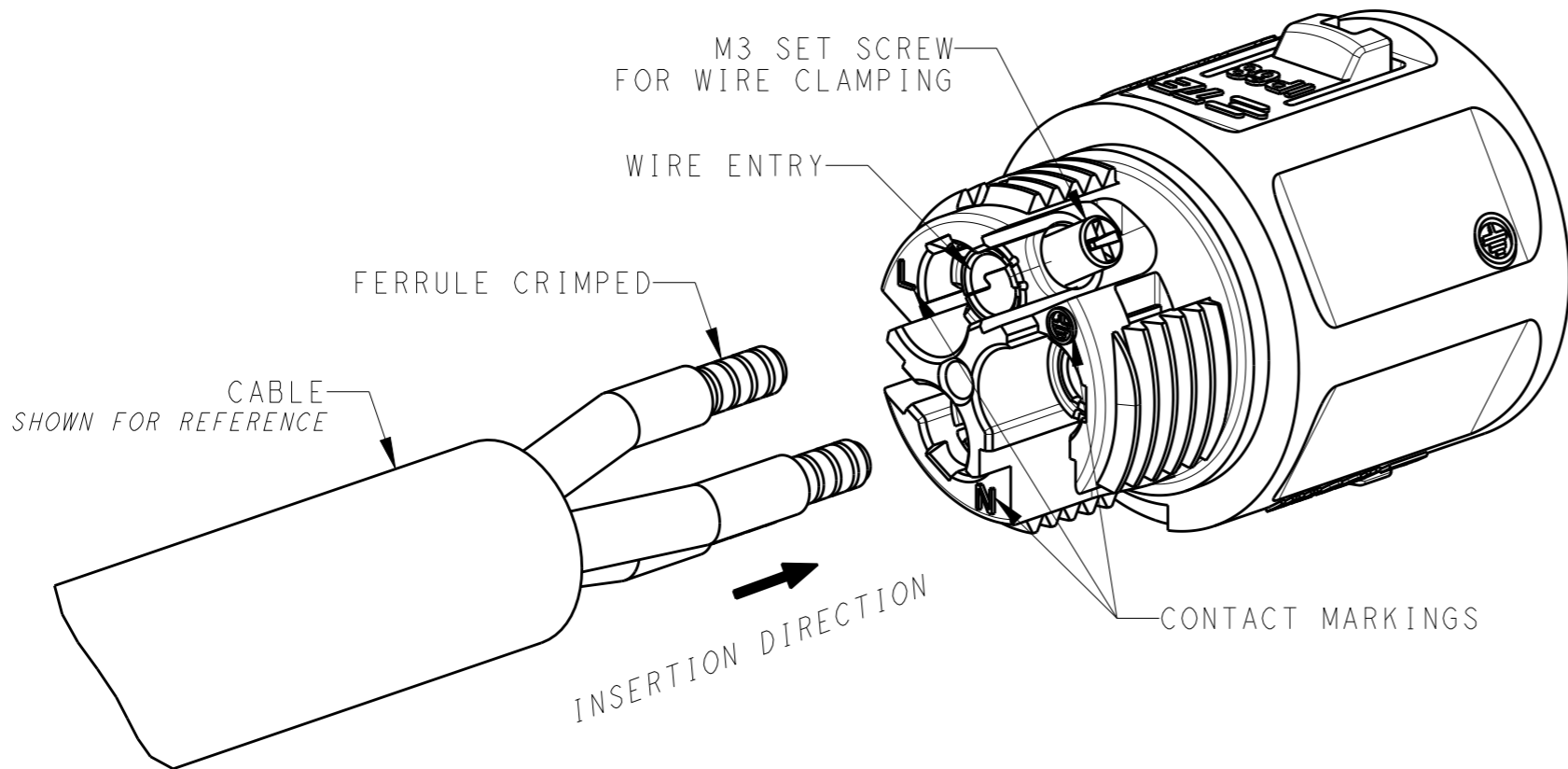
BACKSHELL FOR
1-2379237-1
1-2379237-2



BACKSHELL P/N	HOUSING ASSY P/N	POLARIZING KEY	CABLE RANGE	DESCRIPTION	PART NUMBER
2363547-2	2359418-2	KEY B	Ø7 - Ø10	IN-LINE SOCKET CONNECTOR	1-2379237-2
	2359418-1	KEY A			1-2379237-1
2363547-1	2359418-2	KEY B	Ø10.5 - Ø15		2379237-2
	2359418-1	KEY A			2379237-1

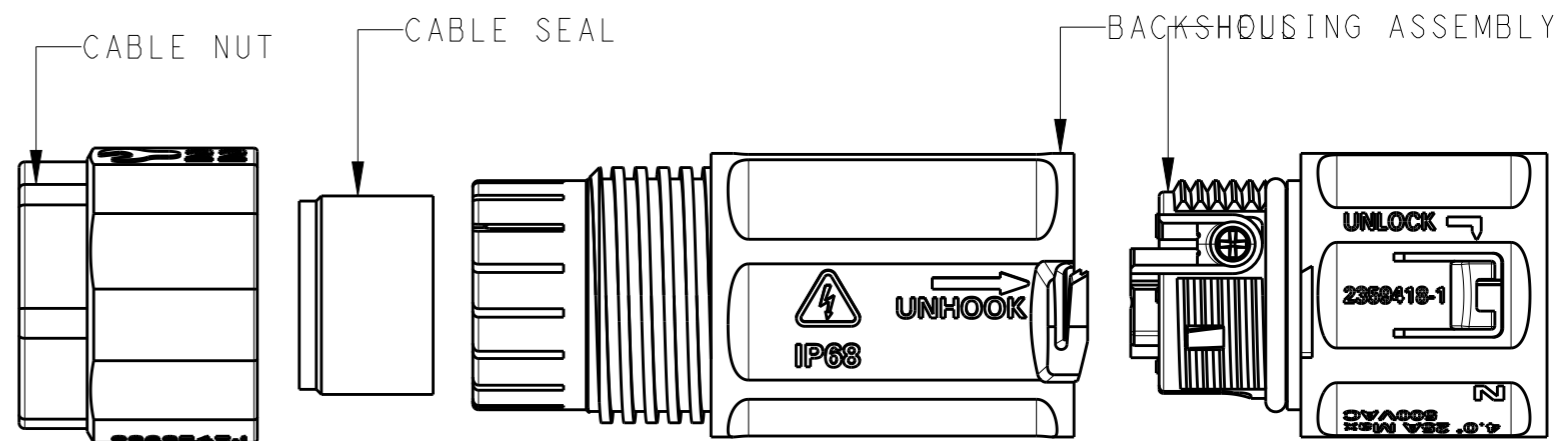
THIS DRAWING IS A CONTROLLED DOCUMENT.		DWN SUBHASH. M 28AUG2020	TE Connectivity NAME NECTOR T, 3Pos, SOCKET CONNECTOR SCREW TYPE		
DIMENSIONS: mm		CHK M. ZUCCA 28AUG2020			
TOLERANCES UNLESS OTHERWISE SPECIFIED:		APVD PETER OTT 24NOV2020	RESTRICTED TO		
0 PLC ±0.2		PRODUCT SPEC 108-133123	SIZE A3	CAGE CODE 00779	DRAWING NO C-2379237
1 PLC ±0.2		APPLICATION SPEC 114-133123	SCALE 2:1		
2 PLC ±0.1		WEIGHT -	SHEET 1 OF 2		
3 PLC ±		CUSTOMER DRAWING	REV A		
4 PLC ±					
ANGLES ±°					
MATERIAL -					
FINISH -					


SCREW TERMINATION
REFER 114-133123 FOR DETAILED INSTRUCTION
NOT TO SCALE



REVISIONS					
P	LTR	DESCRIPTION	DATE	DWN	APVD
-		SEE SHEET 1	-	-	-

EXPLODED COMPONENTS
NOT TO SCALE



THIS DRAWING IS A CONTROLLED DOCUMENT.		DWN SUBHASH. M 28AUG2020	 TE Connectivity		
DIMENSIONS: mm		CHK M. ZUCCA 28AUG2020			
TOLERANCES UNLESS OTHERWISE SPECIFIED:		APVD PETER OTT 24NOV2020	NAME NECTOR T, 3Pos, SOCKET CONNECTOR SCREW TYPE		
0 PLC ±0.2 1 PLC ±0.2 2 PLC ±0.1 3 PLC ± 4 PLC ± ANGLES ±1°		PRODUCT SPEC 108-133123	SIZE A3		
MATERIAL -		APPLICATION SPEC 114-133123	CAGE CODE 00779	DRAWING NO C-2379237	RESTRICTED TO -
FINISH -		WEIGHT -	SCALE 2:1		
		CUSTOMER DRAWING	SHEET 2 OF 2		REV A

X-ON Electronics

Largest Supplier of Electrical and Electronic Components

Click to view similar products for [Lighting Connectors](#) category:

Click to view products by [TE Connectivity](#) manufacturer:

Other Similar products are found below :

[293300-7](#) [293660-5](#) [CNX_H03_NTP](#) [30-9767-BU](#) [3605](#) [3-21030-1](#) [ZCH-110-RGB-I](#) [503471-0290](#) [ZCH-110-RGB-J](#) [217-0716-200](#)
[1954563-1](#) [1-293657-2](#) [2834036-1](#) [2834037-1](#) [1-2213222-4](#) [2-2213222-4](#) [2213222-4](#) [2834122-3](#) [2834122-5](#) [2834135-2](#) [FLA-R4142-30](#)
[FLA-R4162-30](#) [FLA-R2142-30](#) [FLA-R2141-30](#) [FLA-R2162-30](#) [FLA-R2161-30](#) [FLA-R0161-30](#) [FLA-R0141-30](#) [FLA-R0142-30](#) [FLA-](#)
[R0162-30](#) [FLA-C00-00](#) [DGA00010553](#) [CNXV04NTP](#) [104128-0610](#) [503485-0000 \(Cut Strip\)](#) [503485-0000 \(Loose Piece\)](#) [503485-0000](#)
[\(MINI Reel\)](#) [1-2834074-2](#) [1-2834074-3](#) [1357-AC PLUG W2C \(CHINA\)](#) [1357-AC PLUG W2 \(USA\)](#) [104266-0110](#) [2106212-1](#) [2-2834074-2](#)
[104266-0210](#) [293470-1](#) [293651-2](#) [293651-4](#) [1-2834006-2](#) [293651-1](#)