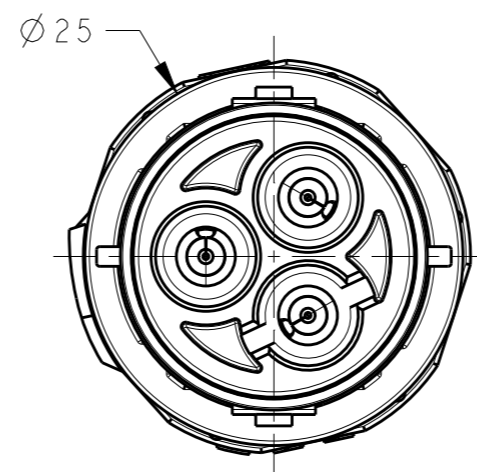
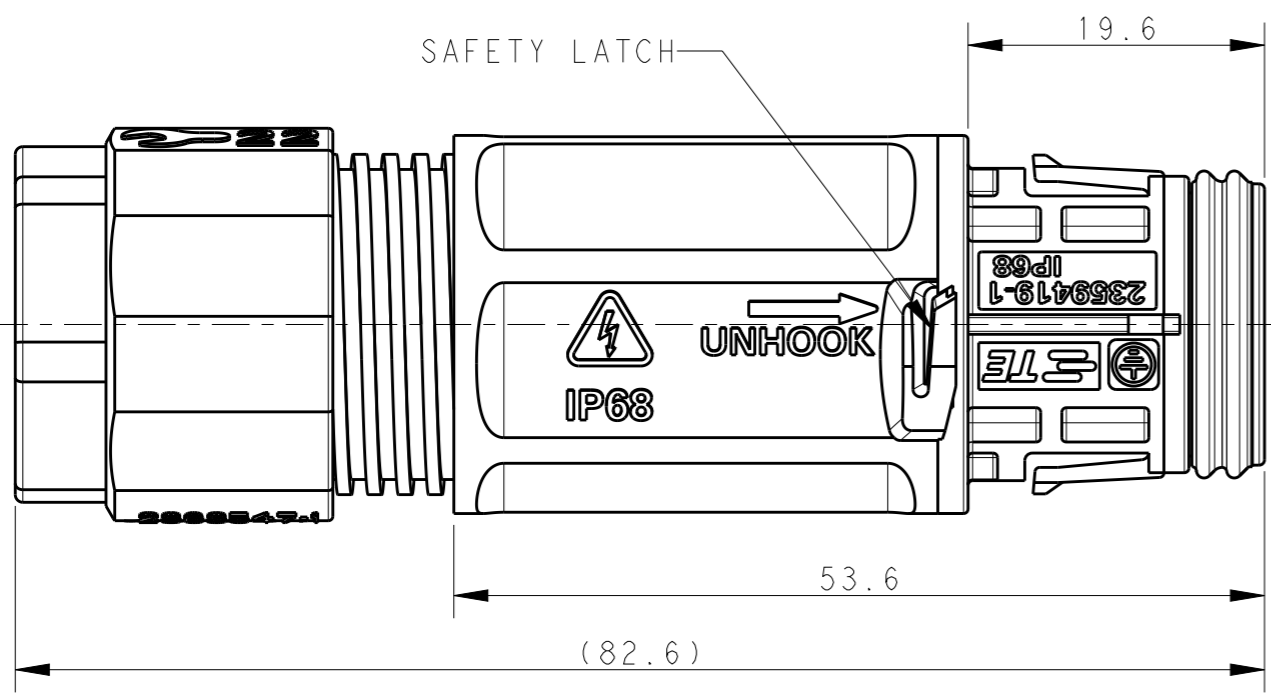


| P | LTR | DESCRIPTION | DATE | DWN | APVD |
|---|-----|------------------------------|-----------|-----|------|
| 1 | | INITIAL ISSUE | 28AUG2020 | SM | MZ |
| 2 | | INFORMATION ADDED TO SHEET 2 | 03SEP2020 | SM | MZ |
| A | | PRODUCT UNDER TESTING | 24NOV2020 | SM | MZ |

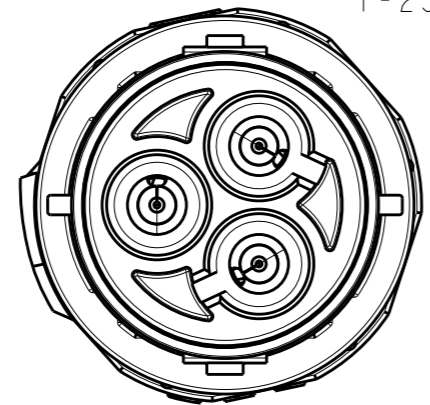
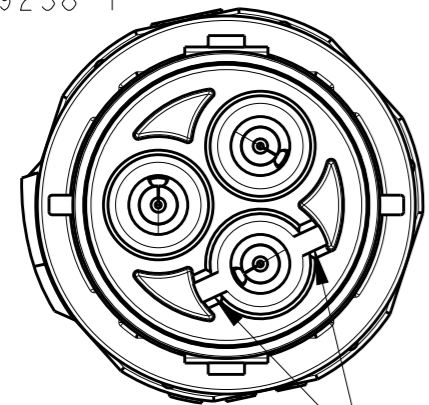


NOTES:

- MATERIALS:
PLASTICS: PBT+PC ALLOY, UL-V0, UV-F1
CONTACTS: COPPER ALLOY, TIN PLATED
- OPERATING RATINGS :
VOLTAGE (max): 600Vac Max
CURRENT (max): 25A ON 4.0mm² & 20A ON 12AWG
TEMPERATURE : -40°C TO 85°C
IP RATING : IP67 & IP68
- FOR ASSEMBLY INSTRUCTIONS, REFER APPLICATION SPECIFICATION 114-133123
- PACKAGING: MOQ 200 pcs IN PE BAG

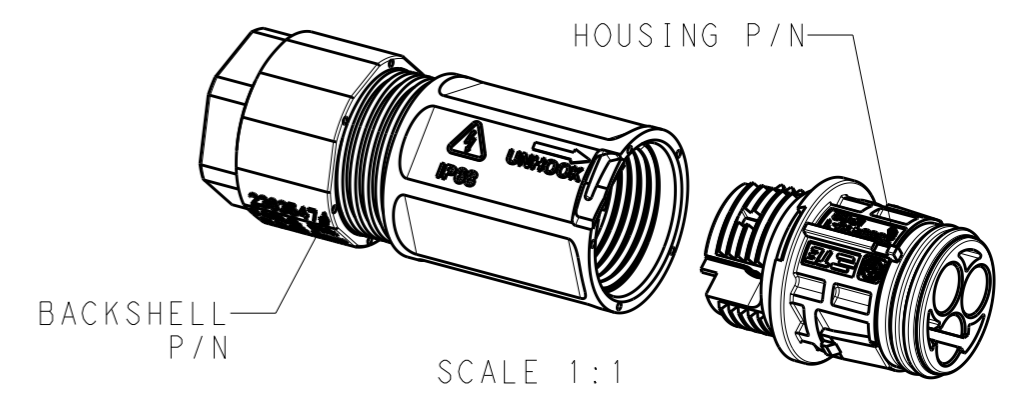
POLARIZING KEY A
2379238-1
1-2379238-1

POLARIZING KEY B
2379238-2
1-2379238-2



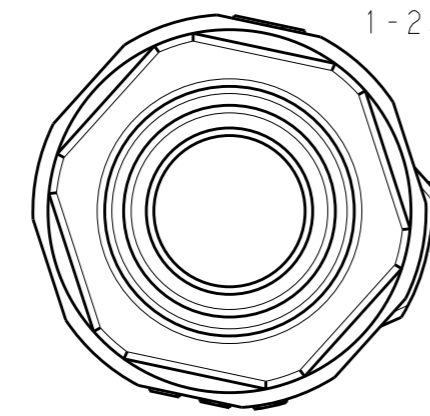
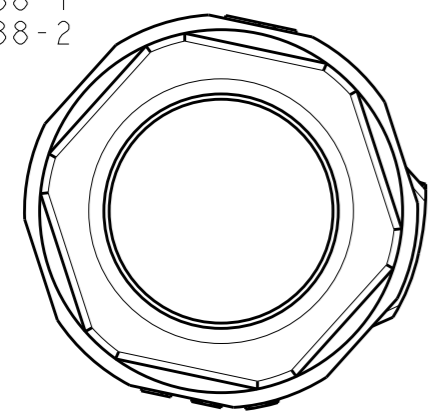
KEYS

PRODUCT UNDER TESTING
CONTACT PRODUCT ENGINEERING
BEFORE USING THIS PRINT



BACKSHELL FOR
2379238-1
2379238-2

BACKSHELL FOR
1-2379238-1
1-2379238-2



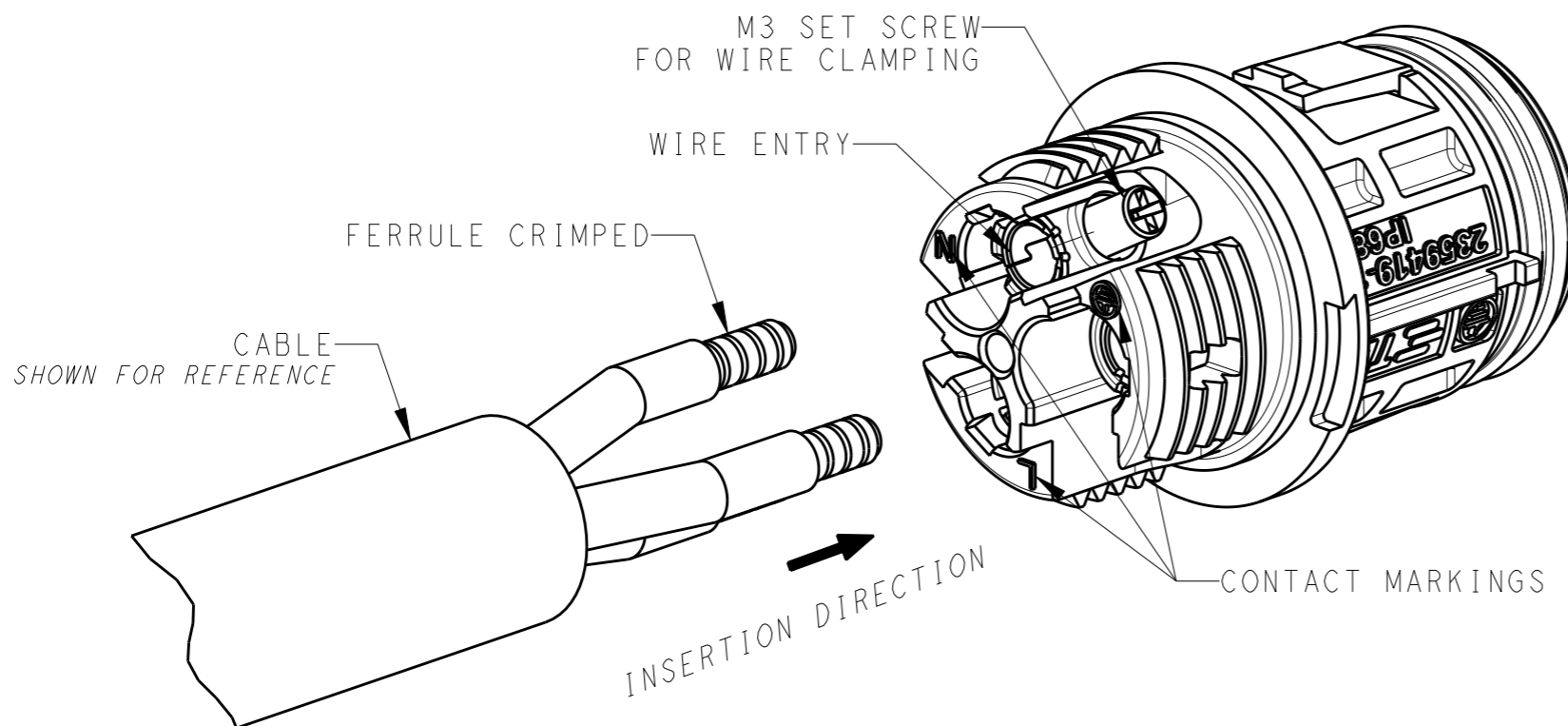
| BACKSHELL P/N | HOUSING ASSY P/N | POLARIZING KEY | CABLE RANGE | DESCRIPTION | PART NUMBER |
|---------------|------------------|----------------|-------------|-----------------------|-------------|
| 2363547-2 | 2359419-2 | KEY B | Ø7 - Ø10 | IN-LINE PIN CONNECTOR | 1-2379238-2 |
| | 2359419-1 | KEY A | | | 1-2379238-1 |
| 2363547-1 | 2359419-2 | KEY B | Ø10.5 - Ø15 | | 2379238-2 |
| | 2359419-1 | KEY A | | | 2379238-1 |

THIS DRAWING IS A CONTROLLED DOCUMENT.

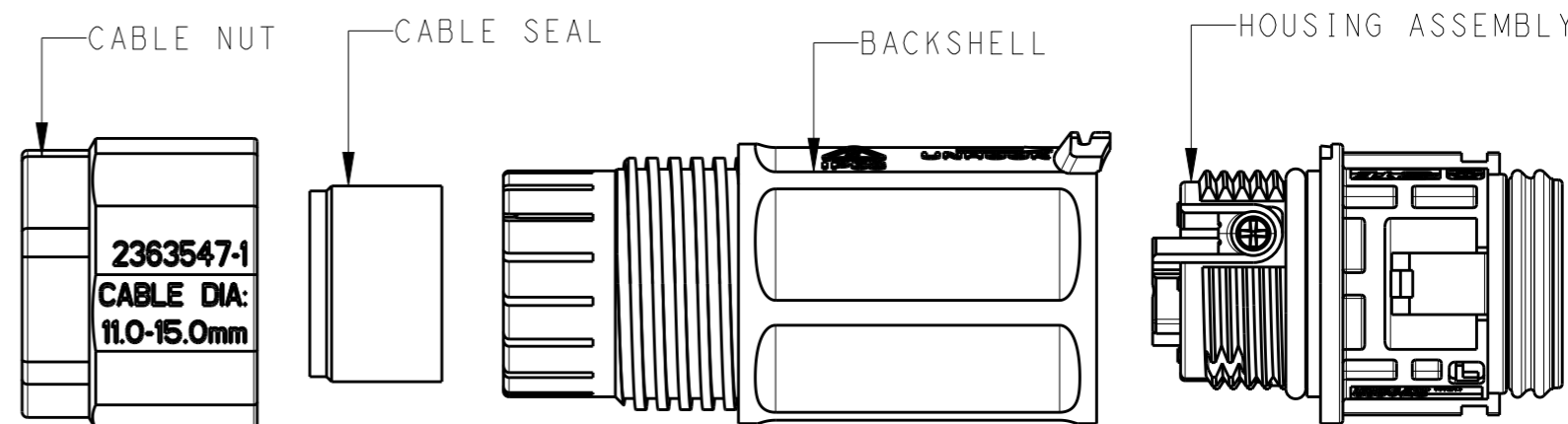
| | | |
|--|--|---|
| DWN SUBHASH. M 28AUG2020 | TE Connectivity NAME NECTOR T, 3Pos, PIN CONNECTOR SCREW TYPE | |
| CHK M. ZUCCA 28AUG2020 | | |
| APVD PETER OTT 24NOV2020 | | |
| PRODUCT SPEC 108-133123 | | |
| DIMENSIONS: mm | APPLICATION SPEC 114-133123 | |
| TOLERANCES UNLESS OTHERWISE SPECIFIED: 0 PLC ±0.2 1 PLC ±0.2 2 PLC ±0.1 3 PLC ± 4 PLC ± ANGLES ±1° | WEIGHT - | |
| MATERIAL - | FINISH - | |
| CUSTOMER DRAWING | | SIZE A3 CAGE CODE 00779 DRAWING NO C-2379238 RESTRICTED TO - |
| SCALE 2:1 | | SHEET 1 OF 2 |
| | | REV A |

SCREW TERMINATION
 REFER 114-133123 FOR DETAILED INSTRUCTION
 NOT TO SCALE

| P | LTR | DESCRIPTION | DATE | DWN | APVD |
|---|-----|-------------|------|-----|------|
| - | - | SEE SHEET 1 | - | - | - |
| | | | | | |
| | | | | | |



EXPLODED COMPONENTS
 NOT TO SCALE



| | | | | |
|--|-------------|--------------------------------|---|--------------------|
| THIS DRAWING IS A CONTROLLED DOCUMENT. | | DWN SUBHASH. M 28AUG2020 | TE Connectivity | |
| DIMENSIONS: mm | | CHK M. ZUCCA 28AUG2020 | | |
| TOLERANCES UNLESS OTHERWISE SPECIFIED: | | APVD PETER OTT 24NOV2020 | NAME NECTOR T, 3Pos, PIN CONNECTOR SCREW TYPE | |
| 0 PLC ±0.2 | 1 PLC ±0.2 | PRODUCT SPEC 108-133123 | SIZE A3 | CAGE CODE 00779 |
| 2 PLC ±0.1 | 3 PLC ± | APPLICATION SPEC 114-133123 | DRAWING NO C-2379238 | RESTRICTED TO - |
| 4 PLC ± | ANGLES ± | WEIGHT - | SCALE 2:1 SHEET 2 OF 2 REV A | |
| MATERIAL - | FINISH - | CUSTOMER DRAWING | | |

X-ON Electronics

Largest Supplier of Electrical and Electronic Components

Click to view similar products for [Lighting Connectors](#) category:

Click to view products by [TE Connectivity](#) manufacturer:

Other Similar products are found below :

[293300-7](#) [293660-5](#) [CNX_H03_NTP](#) [30-9767-BU](#) [3605](#) [3-21030-1](#) [ZCH-110-RGB-I](#) [503471-0290](#) [ZCH-110-RGB-J](#) [217-0716-200](#)
[1954563-1](#) [1-293657-2](#) [2834036-1](#) [2834037-1](#) [1-2213222-4](#) [2-2213222-4](#) [2213222-4](#) [2834122-3](#) [2834122-5](#) [2834135-2](#) [FLA-R4142-30](#)
[FLA-R4162-30](#) [FLA-R2142-30](#) [FLA-R2141-30](#) [FLA-R2162-30](#) [FLA-R2161-30](#) [FLA-R0161-30](#) [FLA-R0141-30](#) [FLA-R0142-30](#) [FLA-](#)
[R0162-30](#) [FLA-C00-00](#) [DGA00010553](#) [CNXV04NTP](#) [104128-0610](#) [503485-0000 \(Cut Strip\)](#) [503485-0000 \(Loose Piece\)](#) [503485-0000](#)
[\(MINI Reel\)](#) [1-2834074-2](#) [1-2834074-3](#) [1357-AC PLUG W2C \(CHINA\)](#) [1357-AC PLUG W2 \(USA\)](#) [104266-0110](#) [2106212-1](#) [2-2834074-2](#)
[104266-0210](#) [293470-1](#) [293651-2](#) [293651-4](#) [1-2834006-2](#) [293651-1](#)