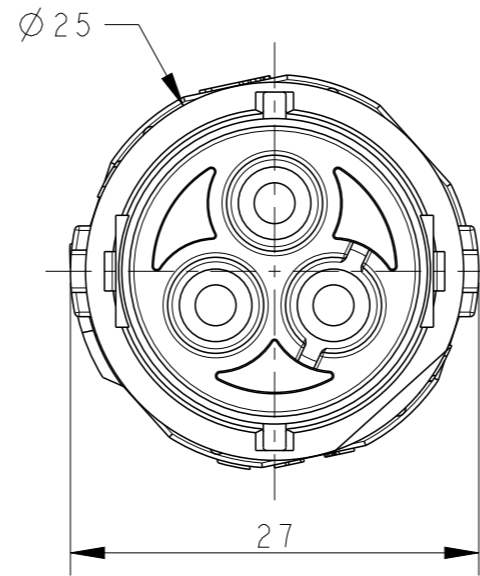
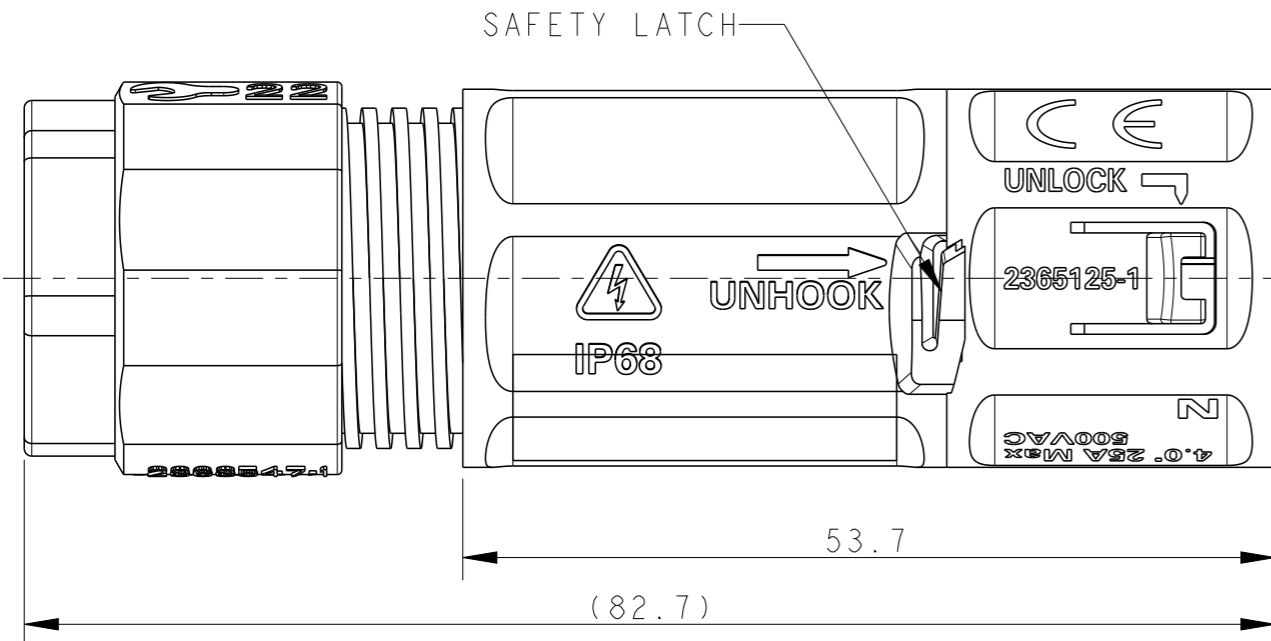


P	LTR	DESCRIPTION	DATE	DWN	APVD
2		INFORMATION ADDED TO SHEET 2	01OCT2020	SM	MZ
3		DRAFTING UPDATE	29OCT2020	SM	MZ
A		PRODUCT UNDER TESTING	24NOV2020	SM	MZ
AI		18AWG WIRE SIZE ADDED	27JAN2022	DM	SM

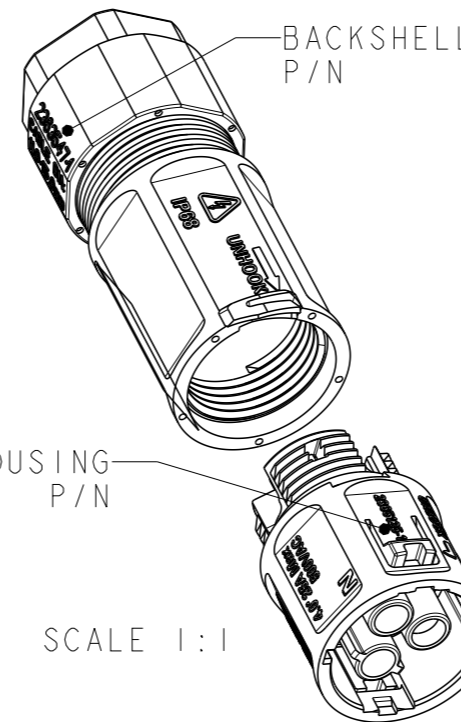


NOTES:

CONTACTS SUPPLIED SEPARATELY ON REELS, MUST PURCHASED ACCORDING TO WIRE SIZES. BELOW ARE THE CONTACT PART NUMBERS:

CONTACT P/N	WIRE SIZE
2359527-1	1.5mm ² TO 2.5mm ² 16AWG TO 14AWG
2359527-2	4.0mm ² 12AWG
2359527-3	18AWG

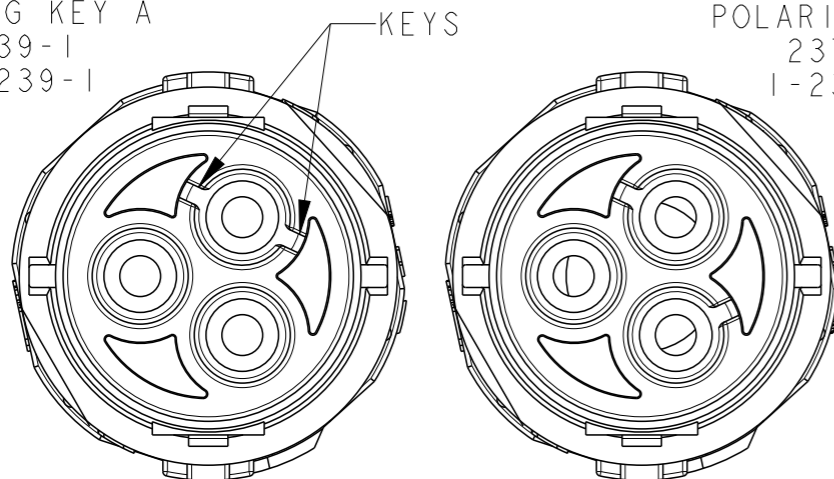
PRODUCT UNDER TESTING
CONTACT PRODUCT ENGINEERING BEFORE USING THIS PRINT



- MATERIALS:
PLASTICS: PBT+PC ALLOY, UL-V0, UV-FI
CONTACTS: COPPER ALLOY, TIN PLATED
SCREWS : STAINLESS STEEL
- OPERATING RATINGS :
VOLTAGE (max): 600Vac Max
CURRENT (max): 25A ON 4.0mm² & 20A ON 12AWG
TEMPERATURE : -40°C TO 85°C
IP RATING : IP67 & IP68
- FOR ASSEMBLY INSTRUCTIONS, REFER APPLICATION SPECIFICATION 114-133123
- PACKAGING: MOQ 200 pcs IN PE BAG

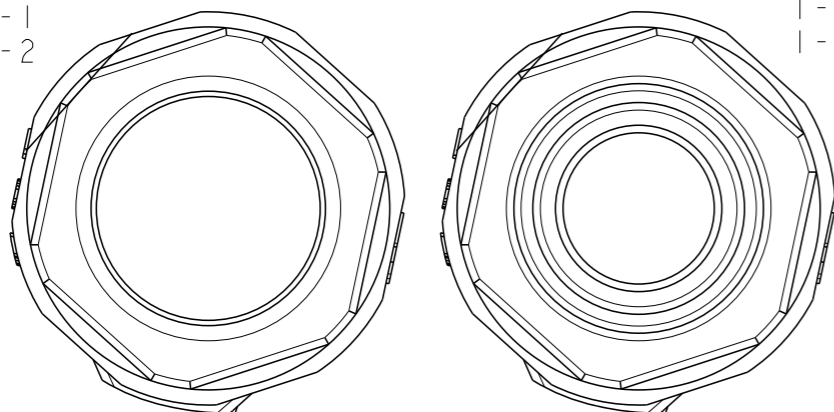
POLARIZING KEY A
2379239-1
1-2379239-1

POLARIZING KEY B
2379239-2
1-2379239-2



BACKSHELL FOR
2379239-1
2379239-2

BACKSHELL FOR
1-2379239-1
1-2379239-2



BACKSHELL P/N	HOUSING ASSY P/N	POLARIZING KEY	CABLE RANGE	DESCRIPTION	PART NUMBER
2363547-2	2365125-2	KEY B	Ø7 - Ø10	IN-LINE SOCKET CONNECTOR	1-2379239-2
	2365125-1	KEY A			1-2379239-1
2363547-1	2365125-2	KEY B	Ø10.5 - Ø15		2379239-2
	2365125-1	KEY A			2379239-1

THIS DRAWING IS A CONTROLLED DOCUMENT.

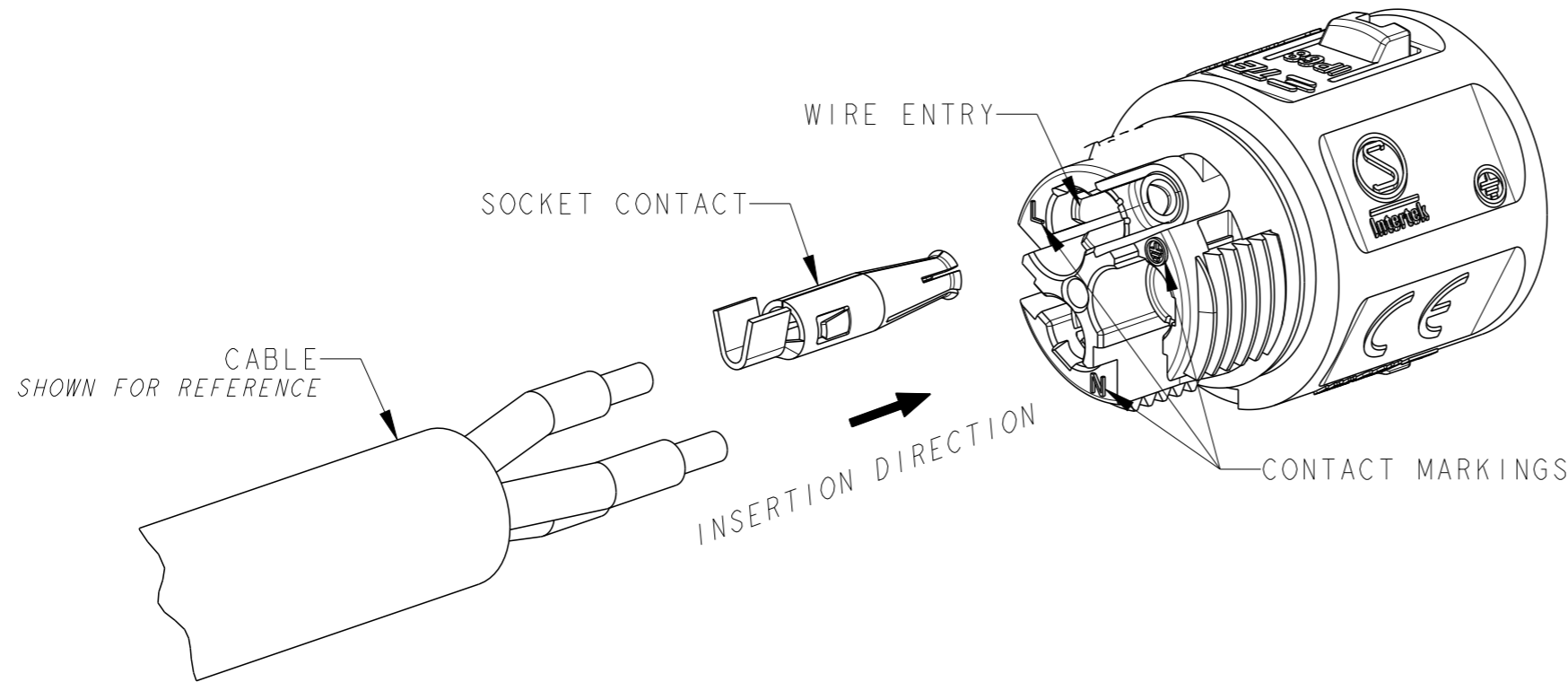
DIMENSIONS: mm	TOLERANCES UNLESS OTHERWISE SPECIFIED: 0 PLC ±0.2 1 PLC ±0.2 2 PLC ±0.1 3 PLC ± 4 PLC ± ANGLES ±1°	MATERIAL -	FINISH -	DWN SUBHASH. M 28AUG2020 CHK M. ZUCCA 28AUG2020 APVD PETER OTT 24NOV2020	NAME NECTOR T, 3Pos, SOCKET CONNECTOR CRIMP TYPE	SIZE A3	CAGE CODE 00779	DRAWING NO C-2379239	RESTRICTED TO -
CUSTOMER DRAWING				WEIGHT -	APPLICATION SPEC -	SCALE 2:1	SHEET 1 OF 2	REV AI	

TE Connectivity

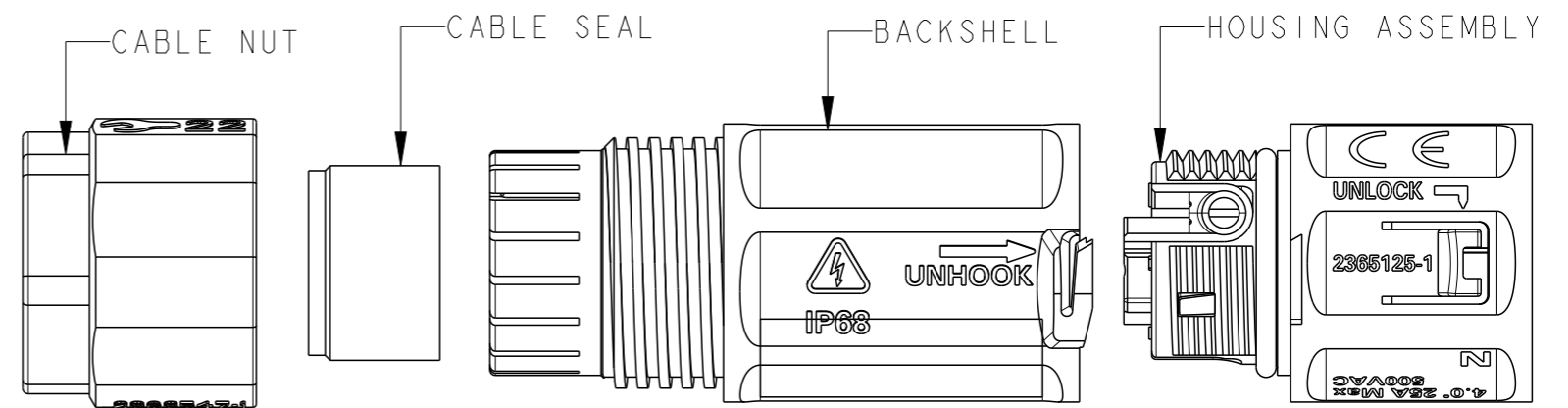
REVISIONS

P	LTR	DESCRIPTION	DATE	DWN	APVD
-	-	SEE SHEET 1	-	-	-

CRIMP TERMINATION
 REFER 114-133123 FOR DETAILED INSTRUCTION
 NOT TO SCALE



EXPLODED COMPONENTS
 NOT TO SCALE



THIS DRAWING IS A CONTROLLED DOCUMENT.		DWN SUBHASH. M 28AUG2020																
DIMENSIONS: mm		CHK M. ZUCCA 28AUG2020																
TOLERANCES UNLESS OTHERWISE SPECIFIED:		APVD PETER OTT 24NOV2020	NAME NECTOR T, 3Pos, SOCKET CONNECTOR CRIMP TYPE															
<table border="1"> <tr><td>0 PLC</td><td>±0.2</td></tr> <tr><td>1 PLC</td><td>±0.2</td></tr> <tr><td>2 PLC</td><td>±0.1</td></tr> <tr><td>3 PLC</td><td>±</td></tr> <tr><td>4 PLC</td><td>±</td></tr> <tr><td>ANGLES</td><td>±1°</td></tr> </table>		0 PLC	±0.2	1 PLC	±0.2	2 PLC	±0.1	3 PLC	±	4 PLC	±	ANGLES	±1°	PRODUCT SPEC -	SIZE A3	CAGE CODE 00779	DRAWING NO C-2379239	RESTRICTED TO -
0 PLC	±0.2																	
1 PLC	±0.2																	
2 PLC	±0.1																	
3 PLC	±																	
4 PLC	±																	
ANGLES	±1°																	
MATERIAL -		FINISH -	APPLICATION SPEC -	WEIGHT -	SCALE 2:1	SHEET 2 OF 2	REV A1											
-		CUSTOMER DRAWING																

X-ON Electronics

Largest Supplier of Electrical and Electronic Components

Click to view similar products for [Lighting Connectors](#) category:

Click to view products by [TE Connectivity](#) manufacturer:

Other Similar products are found below :

[293300-7](#) [293660-5](#) [CNX_H03_NTP](#) [30-9767-BU](#) [3605](#) [3-21030-1](#) [ZCH-110-RGB-I](#) [503471-0290](#) [ZCH-110-RGB-J](#) [217-0716-200](#)
[1954563-1](#) [1-293657-2](#) [2834036-1](#) [2834037-1](#) [1-2213222-4](#) [2-2213222-4](#) [2213222-4](#) [2834122-3](#) [2834122-5](#) [2834135-2](#) [FLA-R4142-30](#)
[FLA-R4162-30](#) [FLA-R2142-30](#) [FLA-R2141-30](#) [FLA-R2162-30](#) [FLA-R2161-30](#) [FLA-R0161-30](#) [FLA-R0141-30](#) [FLA-R0142-30](#) [FLA-](#)
[R0162-30](#) [FLA-C00-00](#) [DGA00010553](#) [CNXV04NTP](#) [104128-0610](#) [503485-0000 \(Cut Strip\)](#) [503485-0000 \(Loose Piece\)](#) [503485-0000](#)
[\(MINI Reel\)](#) [1-2834074-2](#) [1-2834074-3](#) [1357-AC PLUG W2C \(CHINA\)](#) [1357-AC PLUG W2 \(USA\)](#) [104266-0110](#) [2106212-1](#) [2-2834074-2](#)
[104266-0210](#) [293470-1](#) [293651-2](#) [293651-4](#) [1-2834006-2](#) [293651-1](#)