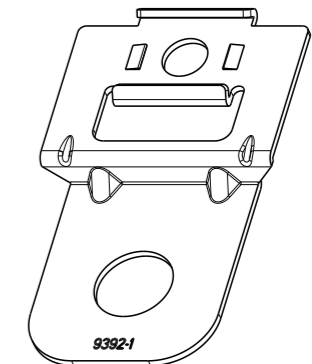
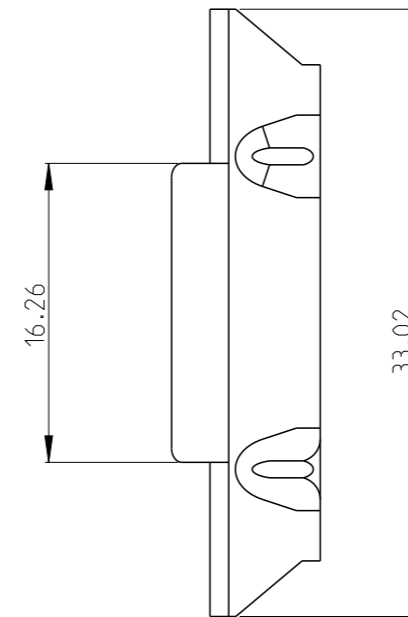
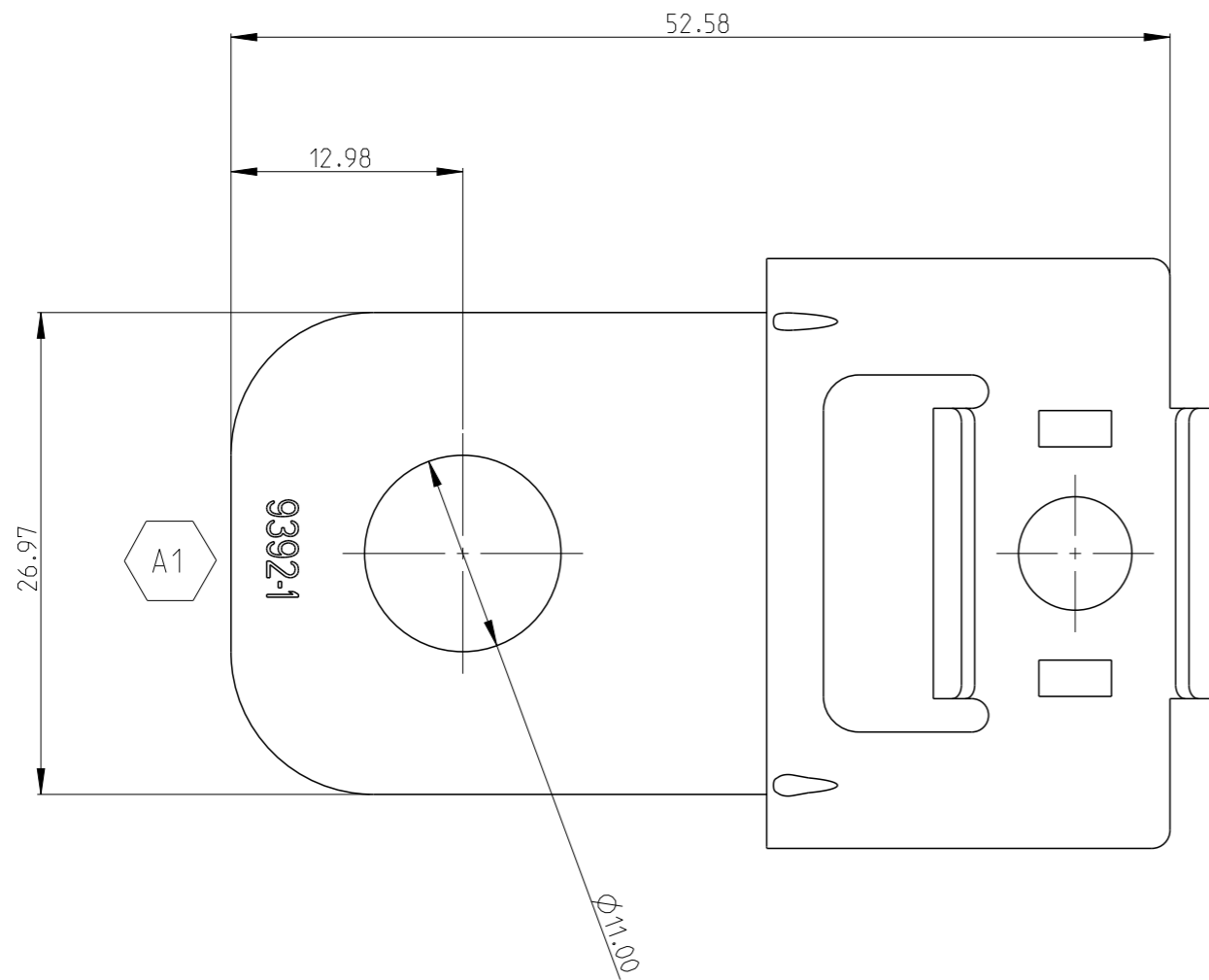
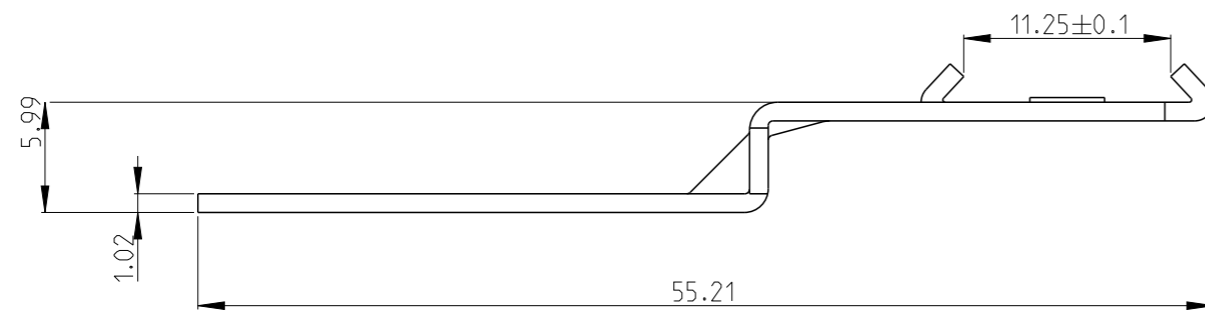


P	LTR	DESCRIPTION	DATE	DWN	APVD
	A	INITIAL RELEASE	3NOV2020	J.S	I.Y
	A1	ECR-20-016317	18NOV2020	J.S	I.Y



3D VIEW



2379392-1	STEEL	ZINC	12.1g
TE PN	MATERIAL	FINISH	WEIGHT

THIS DRAWING IS A CONTROLLED DOCUMENT.		DWN J.SHANG 3NOV2020												
DIMENSIONS: mm		CHK C.WAN 3NOV2020												
TOLERANCES UNLESS OTHERWISE SPECIFIED:		APVD I.YIN 3NOV2020												
<table border="1"> <tr> <td>0 PLC</td> <td>±</td> </tr> <tr> <td>1 PLC</td> <td>±</td> </tr> <tr> <td>2 PLC</td> <td>±0.64</td> </tr> <tr> <td>3 PLC</td> <td>±</td> </tr> <tr> <td>4 PLC</td> <td>±</td> </tr> <tr> <td>ANGLES</td> <td>±</td> </tr> </table>		0 PLC			±	1 PLC	±	2 PLC	±0.64	3 PLC	±	4 PLC	±	ANGLES
0 PLC	±													
1 PLC	±													
2 PLC	±0.64													
3 PLC	±													
4 PLC	±													
ANGLES	±													
MATERIAL STEEL	FINISH ZINC	APPLICATION SPEC -	NAME METAL CLIP, 11MM HOLE SIDE MOUNTING BRACKET	RESTRICTED TO										
		WEIGHT 12.1g	SIZE A3	CAGE CODE 00779										
		RESTRICTED CUSTOMER	DRAWING NO C=2379392											
		SCALE 1:1	SHEET 1 OF 1	REV A1										

NOTES: UNLESS OTHERWISE SPECIFIED

- THIS PART MATES WITH DT, DTM, DTP, DTHD, DTCE RECEPTACLES OR OTHER PARTS WITH THE CLIP RETENTION FEATURE.
- CLIP RETENTION FORCE SHALL BE 89N MINIMUM.

X-ON Electronics

Largest Supplier of Electrical and Electronic Components

Click to view similar products for [RF Connector Accessories](#) category:

Click to view products by [TE Connectivity](#) manufacturer:

Other Similar products are found below :

[89674-0712](#) [FERRULE-174](#) [R141802000](#) [R141842000](#) [R141862000W](#) [R280907000](#) [AX102907](#) [HP-500](#) [2098-3251-94](#) [KA-81-02](#) [KA-81-05](#) [KN-89-12](#) [89674-0805](#) [FERRULE-223](#) [202102-11](#) [R280468000](#) [R280510000](#) [RFI155-1](#) [RFI25-12-D3](#) [RFI25-4-D2](#) [RFI75-12-D2](#) [RFI97-14](#) [360HS001M2508M6](#) [4-1532137-4](#) [HRM-514S\(40\)](#) [5-21085-0](#) [111062-0490](#) [112122-SOD-LUG](#) [IPP-2014](#) [RFI95-14-D2](#) [1736-1511-075](#) [RFI75-2-D3](#) [RFI25-3-D3](#) [R280469010](#) [RFI85-4](#) [896110450](#) [660-024M09S5-01](#) [1403137-1](#) [360HB001M2512H](#) [360HS001M1716M3](#) [380HS115M2508H3](#) [380HS001M1716M4](#) [FERRULE-316DB](#) [105274-2000](#) [73415-1970](#) [R280755050W](#) [52014041A](#) [R447120000](#) [BNC-JCAP\(01\)](#) [415CPB-239-50F](#)