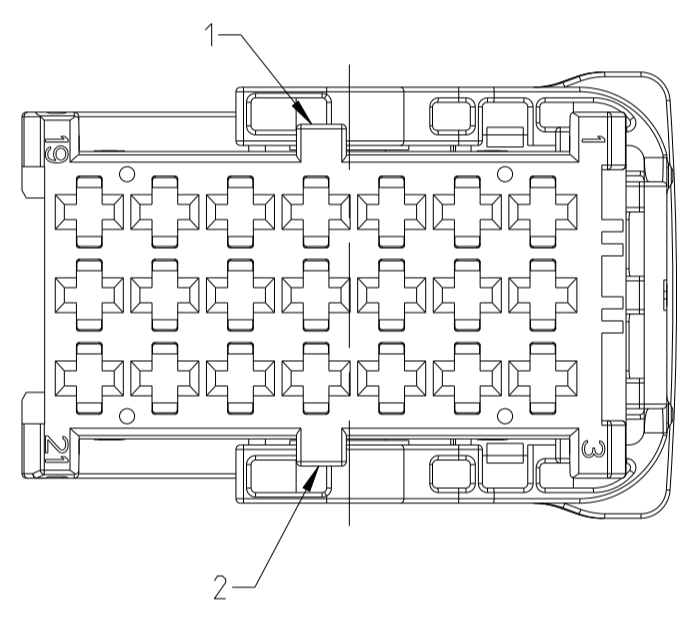
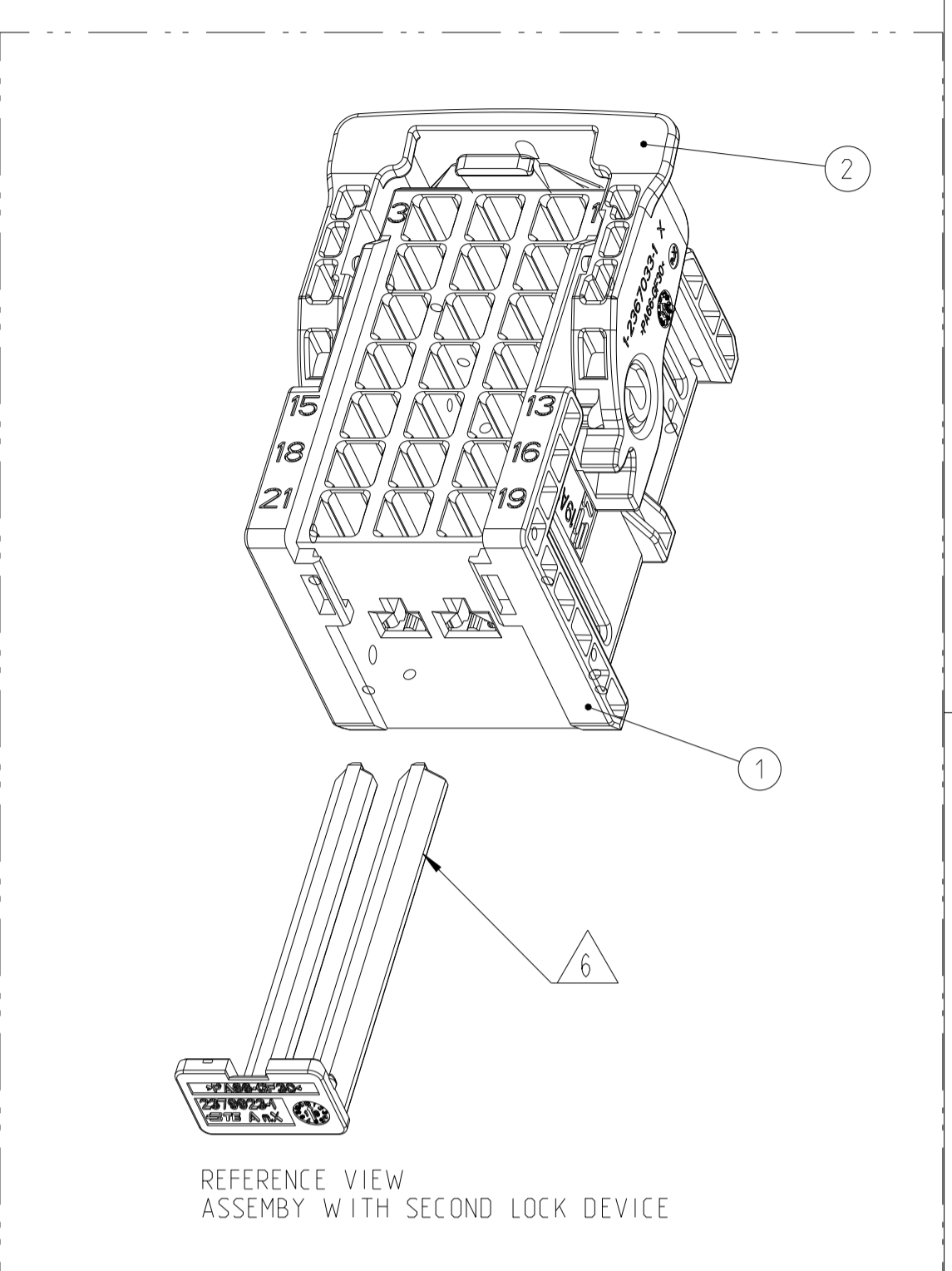
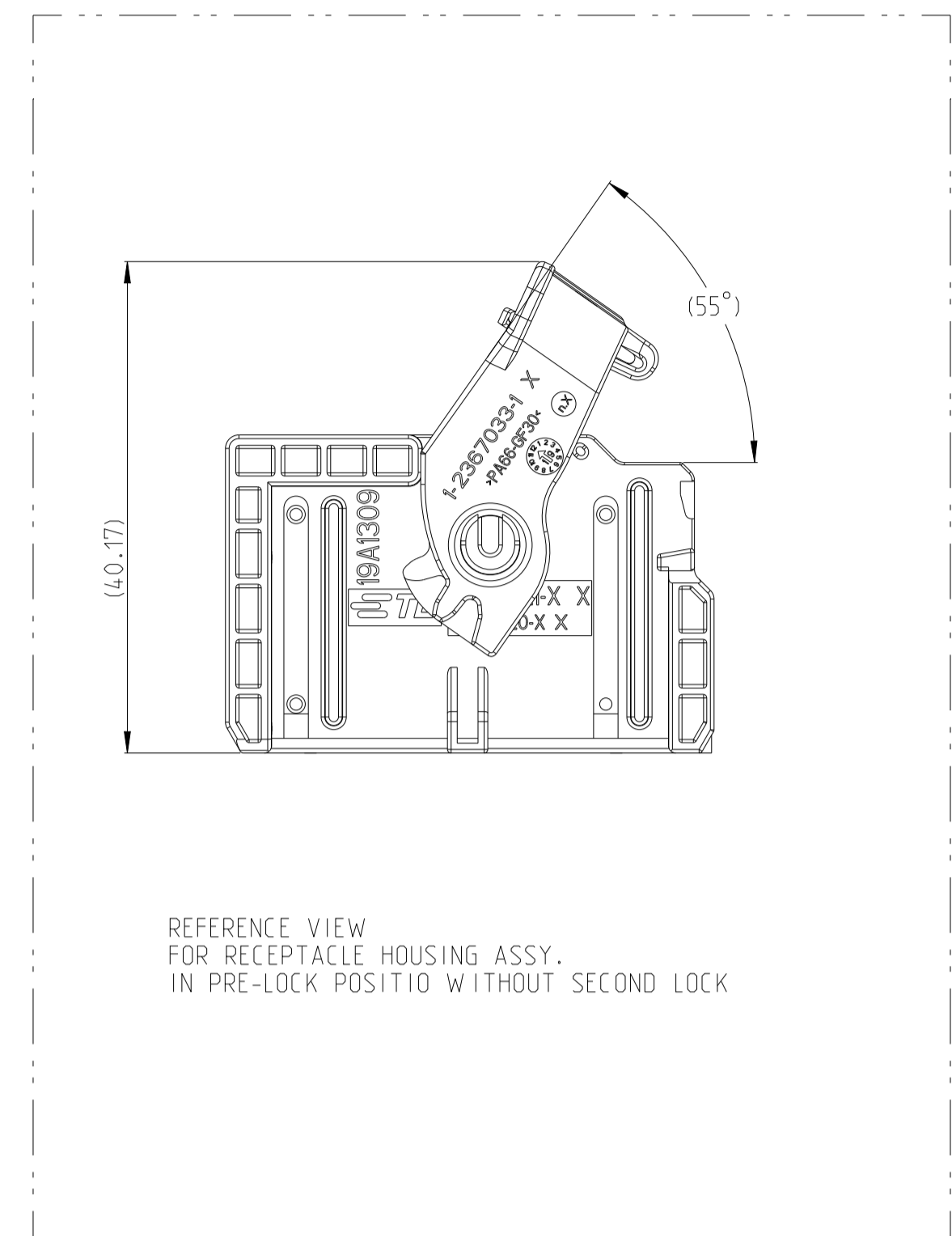
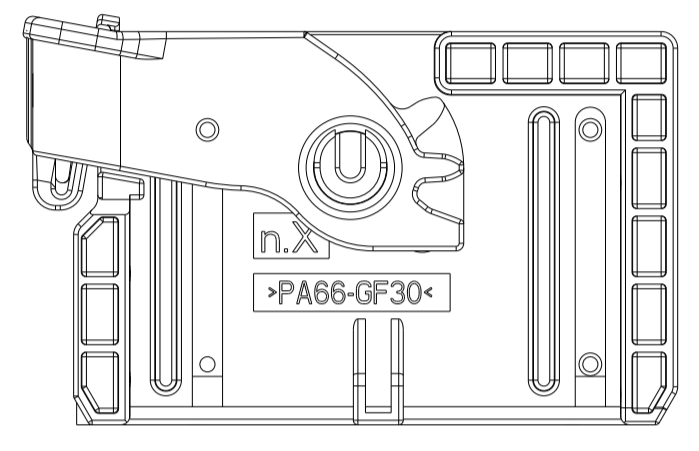
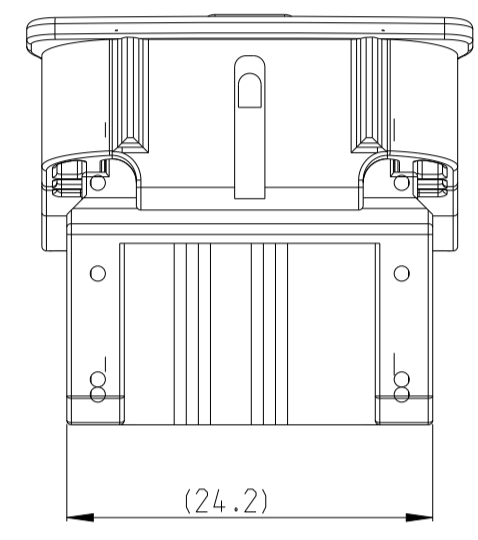
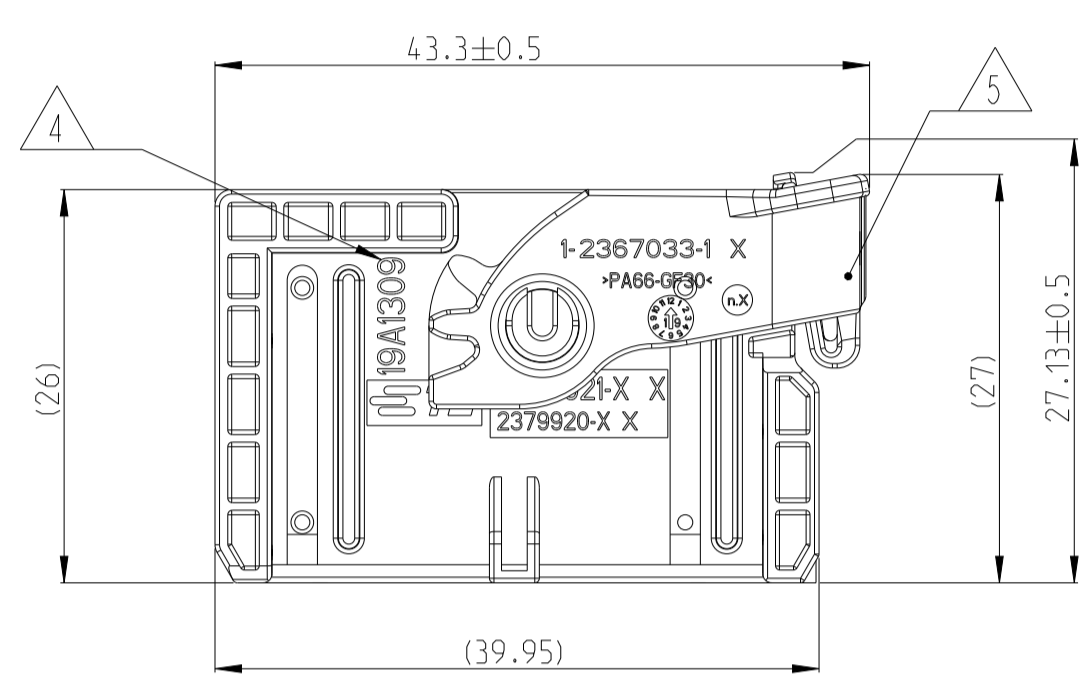
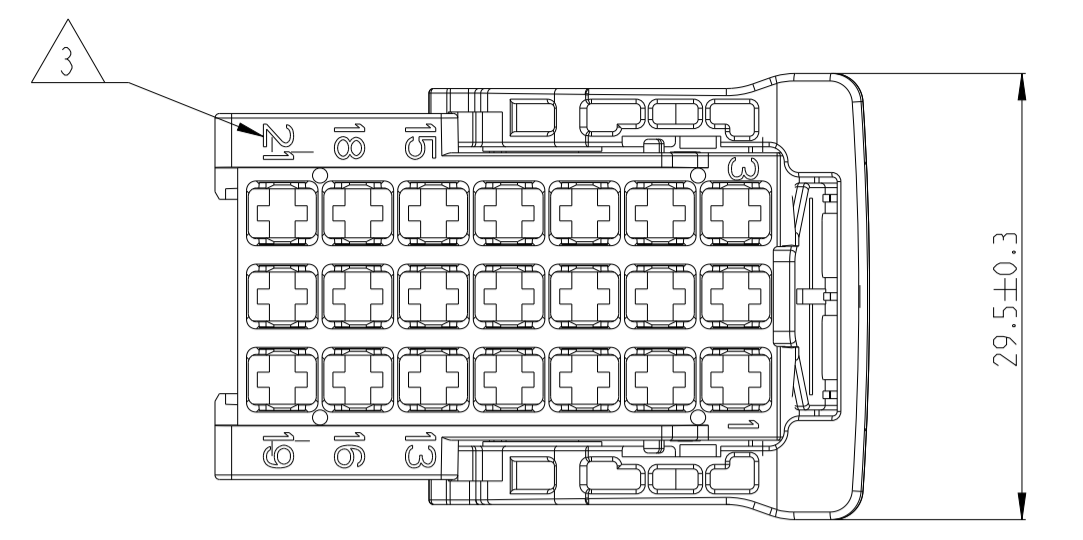


CODING A 2379921-1 SHOWN AS



REVISIONS				
P	LTN	DESCRIPTION	DATE	OWN APVD
A		INITIAL DRAWING	17SEP2020	S.Z I.Y
A1		REVISE PER PCN-21-108132	03AUG2021	S.Z Z.Z

NOTES:

- THIS PLUG MATES WITH TAB HOUSING 2379922-X. (X=1, 2, 3, 4 FOR VARIOUS CODE).
- MATERIAL: SEE TABLE.
- IDENTIFICATION FOR CABLE PINOUT.
- AFTER FINAL ASSEMBLY, LASER MARK THE DATE CODE PER ICTAP003-MD.CHARACTER SIZE APPROX.AS SHOWN. CHARACTER LOCATION AND ORIENTATION AS SHOWN. DATE CODE: IDENTIFIES THE YEAR, MONTH, DAY AND HOUR OF ASSEMBLY. SUCH AS :19A1309
19: YEAR, FIRST AND SECOND DIGITS (19=2019)
A: MONTH, THIRD DIGIT, EXCLUDING 1, A=JAN, B=FEB, C=MARCH...H=AUGUST,J=SEPTEMBER...
13: DAY, FOURTH AND FIFTH DIGITS(14=14th DAY)
09: HOUR, SIXTH AND SEVENTH DIGITS(11=11AM)
- INSTALL LEVER ONTO HOUSING AS SHOWN. THE ASSEMBLY PROCESS MUST NOT DAMAGE HOUSING AND LEVER.
- SECOND LOCK NOT INCLUDED. SUITABLE SECOND LOCK DEVICE TE PN: 2379923-1.
- APPLICABLE TERMINAL PART NUMBERS AND WIRE SIZE SHOWN AS BELOW FOR RECOMMEND. CONSULT TE CONNECTIVITY FOR MORE APPLICATION INFORMATION.

1-968851-1	TIN	1.5-2.5	∅2.2-∅3.0
1-968849-1	TIN	0.5-1.0	∅1.4-∅2.1
TERMINAL PN	TERMINAL PLATING	WIRE SIZE (MM2)	INSULATION WIRES OD (MM)

CODING A
2379921-1

CODING C
2379921-3

CODING B
2379921-2

CODING D
2379921-4

1	1	1	1	LEVER	PA66-GF30	YELLOW	2
1				HOUSING, CODE D	PA66-GF30	BLUE	1
	1			HOUSING, CODE C	PA66-GF30	GREEN	
		1		HOUSING, CODE B	PA66-GF30	GRAY	
			1	HOUSING, CODE A	PA66-GF30	BLACK	
*-4	*-3	*-2	*-1	PART NO	MATERIAL	COLOUR	ITEM NO
				CODING			
D	C	B	A	REVISION OF EACH ASSY NO (WHEN BLANK, USE DWG REVISION)			
A	A	A	A	WEIGHT OF EACH ASSY NO. [g]			
15.02	15.02	15.02	15.02	PARTS LIST			

THIS DRAWING IS A CONTROLLED DOCUMENT.

OWN: S.ZHANG 17SEP2020
CHK: E.JIANG 17SEP2020
APVD: L.Y.JIN 17SEP2020

DIMENSIONS: mm
TOLERANCES UNLESS OTHERWISE SPECIFIED:
0 PLC ±0.5
1 PLC ±0.3
2 PLC ±0.20
3 PLC ±
4 PLC ±
ANGLES ±
FINISH ±45°

MATERIAL: -
FINISH: -

RESTRICTED CUSTOMER

NAME: 21POS MCP REC HOUSING ASSY UNSEALED CONNECTOR WITH LEVER
PRODUCT SPEC: 108-94718
APPLICATION SPEC: 116-94610
SIZE: A1
CAGE CODE: 00779
DRAWING NO: C=2379921
RESTRICTED TO: A1

TE Connectivity

SCALE: 2:1 SHEET 1 OF 1 REV: A1

X-ON Electronics

Largest Supplier of Electrical and Electronic Components

Click to view similar products for [Automotive Connectors](#) category:

Click to view products by [TE Connectivity](#) manufacturer:

Other Similar products are found below :

[003-018-000](#) [60993906-B](#) [72.330.1035.1](#) [776880-1](#) [827153-1](#) [9-1326729-8](#) [9-221607-5](#) [925474-1](#) [928905-1](#) [964562-4](#) [968782-1](#) [12004468](#)
[12004475-L](#) [12004483](#) [12052466](#) [12066163](#) [12015909](#) [12077753](#) [1-21030-1](#) [12047957](#) [12047958](#) [12084688](#) [12185550](#) [12336-12](#) [1-](#)
[326211-1](#) [13681974](#) [13688972](#) [13755420](#) [13779834](#) [13783086](#) [13843152](#) [13522378](#) [13581967](#) [13669624](#) [13675513](#) [13753471](#) [13946876](#)
[13953457](#) [13955963](#) [13964573](#) [13971791](#) [13790534-L](#) [13797473](#) [13805590](#) [13888202](#) [1428188-1](#) [1437287-3](#) [1428188-2](#) [DS07-19S-5020](#)
[1456983-5](#)