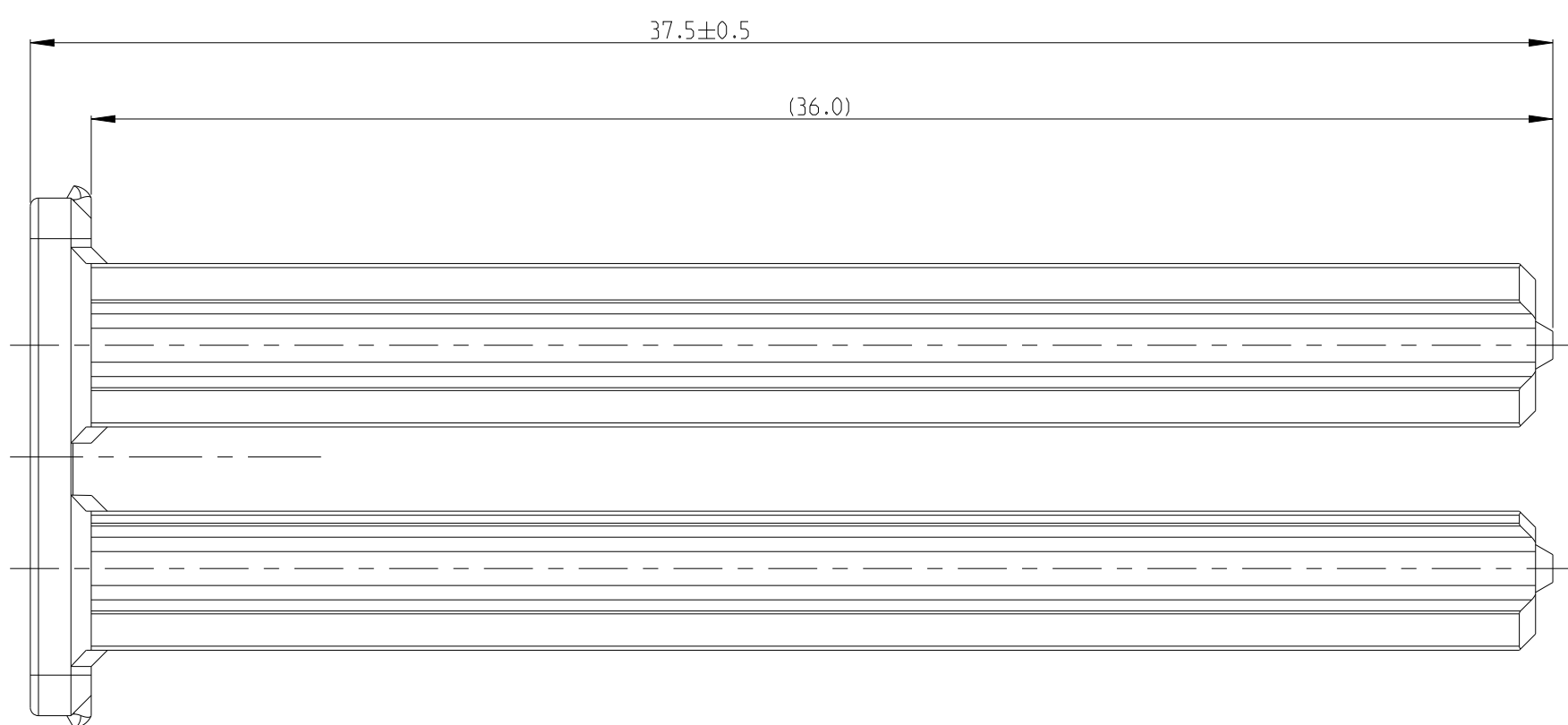
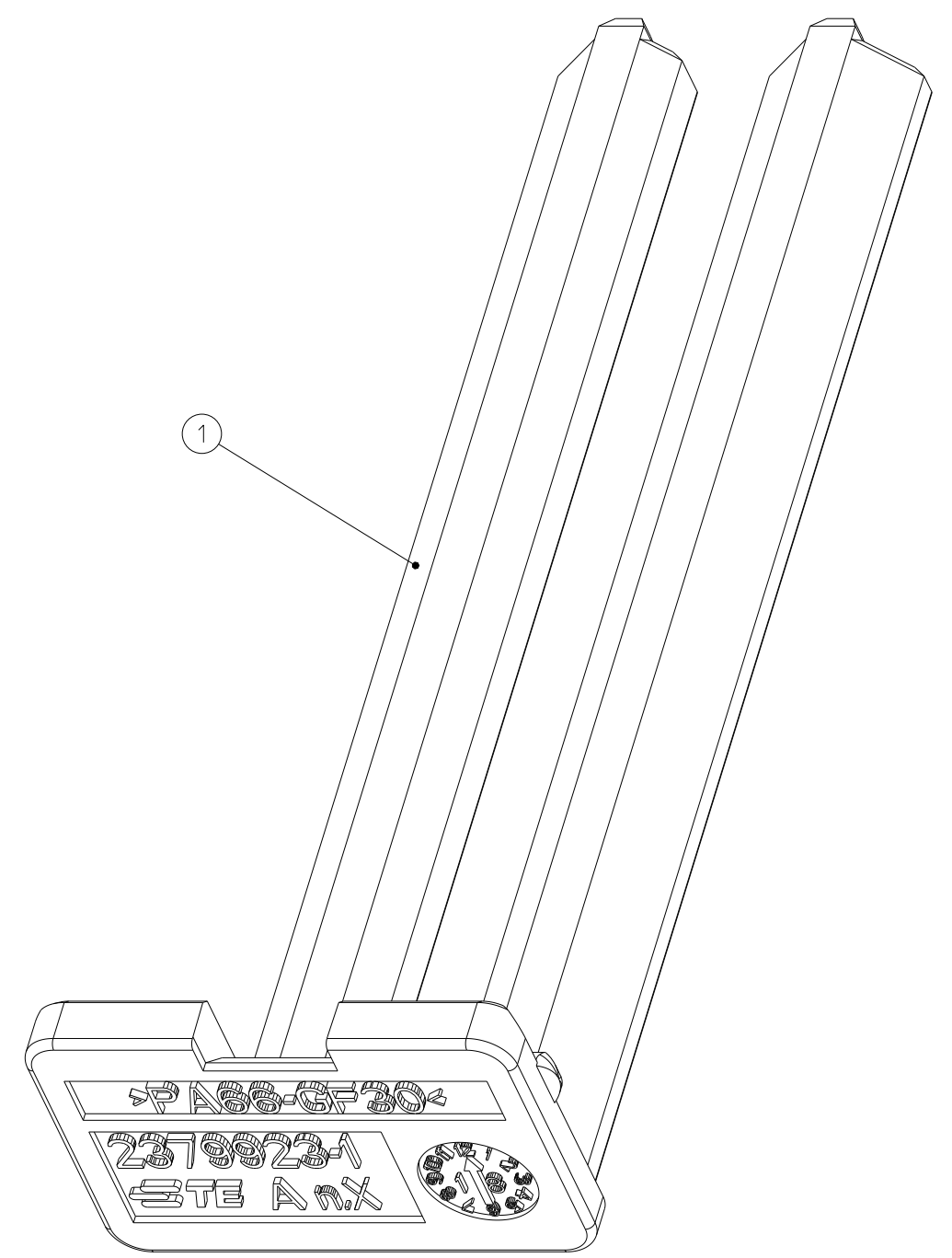
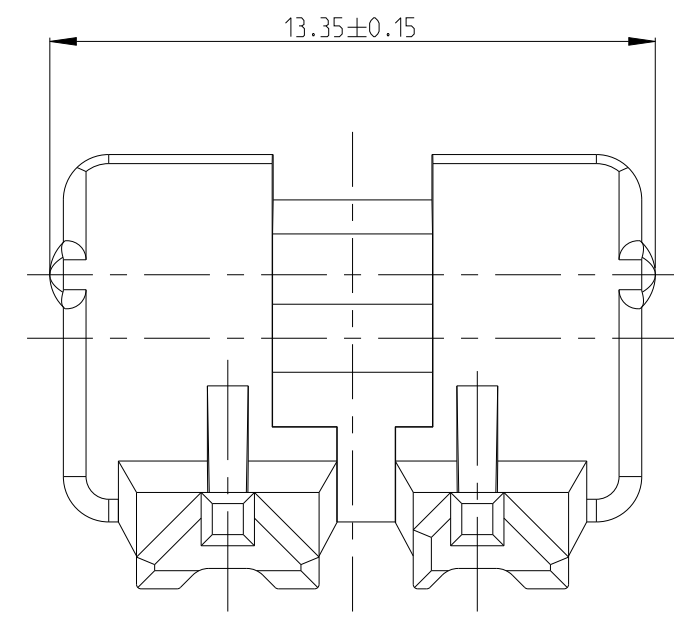
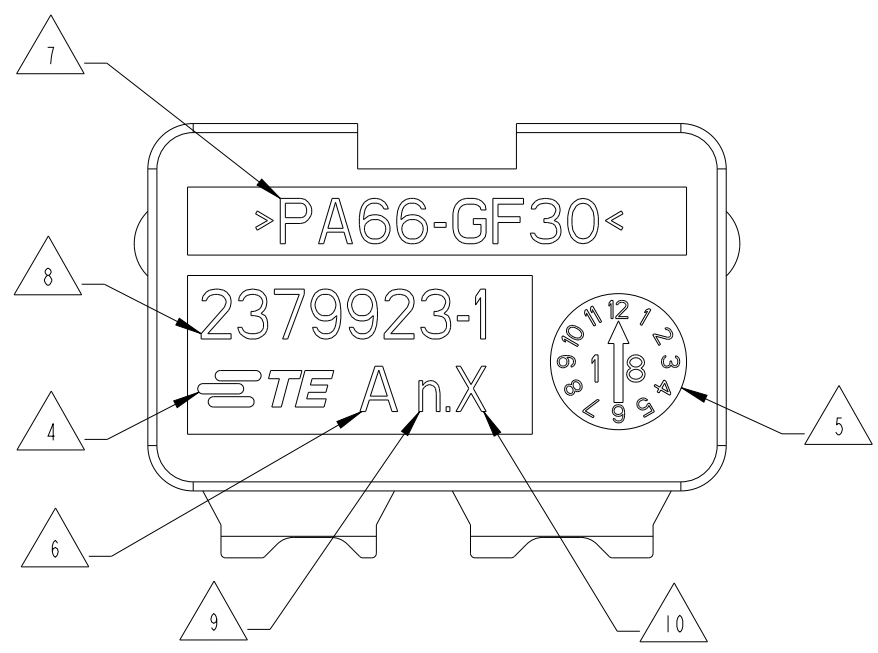


THIS DRAWING IS UNPUBLISHED. RELEASED FOR PUBLICATION 20
 © COPYRIGHT 20 BY - ALL RIGHTS RESERVED.

REVISIONS					
P	LTR	DESCRIPTION	DATE	DWN	APVD
A		RELEASE DRAWING	14SEP2020	S.ZH	I.Y
A1		REVISE PER PCN-21-108132	03JUL2021	S.Z	S.Z



NOTES.

- 1. THIS SECONDARY LOCKING DEVICE MATES WITH MCP 21POS HOUSING. SEE DRAWING 2379921, 2379922.
- 2. CAVITY MATING WITH AMP MCP 2.8 CONTACTS (WITHOUT SWS. MAX WIRE SIZE: 2.5 mm² FLR).
- 3. SC = SHARP CORNER
- 4. TE LOGO.
- 5. MAKING DATE.
- 6. PART REVISION. ACTUAL STATUS ACC.TO TABLE
- 7. MATERIAL-MARKING.
- 8. TE PART NUMBER (X = 1.2.3.4...).
- 9. TOOL NUMBERING (n=1.2...).
- 10. MOLD CAVITY MARK (X=1.2.3.4...).

2379923-1	YELLOW	PA66	SECONDARY LOCKING DEVICE FOR MCP 21POS HOUSING	1
PART NO	COLOUR	MATERIAL	DESCRIPTION	ITEM NO.

THIS DRAWING IS A CONTROLLED DOCUMENT.		DWN S.Zhang 14SEP2020	TE Connectivity NAME: SECONDARY LOCKING DEVICE MCP 21POS. HOUSING	
DIMENSIONS: mm		CHK E.JIANG 14SEP2020		
TOLERANCES UNLESS OTHERWISE SPECIFIED:		APVD I.YIN 14SEP2020		
0 PLC ±0.5 1 PLC ±0.3 2 PLC ±0.20 3 PLC ± 4 PLC ± ANGLES ±5° FINISH		PRODUCT SPEC 108-94718 APPLICATION SPEC 114-94610 WEIGHT - CUSTOMER DRAWING		
		SIZE A2 CAGE CODE 00779 DRAWING NO. C-2379923 RESTRICTED TO - SCALE 6:1 SHEET 1 OF 1 REV A1		

X-ON Electronics

Largest Supplier of Electrical and Electronic Components

Click to view similar products for [Headers & Wire Housings](#) category:

Click to view products by [TE Connectivity](#) manufacturer:

Other Similar products are found below :

[57102-F02-18ULF](#) [58102-G61-06LF](#) [582553-1](#) [009176003701906](#) [01.001.5753.1](#) [0050291907](#) [02.125.8002.8](#) [609-3404](#) [61062-3](#)
[CSU011177004](#) [622-0430](#) [622-3653LF](#) [63453-116](#) [636-1030](#) [636-1427](#) [636-3427](#) [636-4007](#) [641938-9](#) [65495-038](#) [65692-001LF](#) [65781-018](#)
[65781-047](#) [65817-010LF](#) [65817-015LF](#) [66207-023LF](#) [67095-007LF](#) [67601157](#) [68631-112](#) [68645-018](#) [699319-000](#) [70.362.1628.0](#) [70-4210](#)
[70-4226B](#) [70-4853B](#) [707-5020](#) [707-5028](#) [71.350.2428.0](#) [71961-016LF](#) [733-134](#) [733-162](#) [754199-000](#) [760-3052](#) [800-90-001-10-001000](#)
[801-43-002-10-013000](#) [801-43-006-10-002000](#) [803-41-018-10-001000](#) [803-43-024-10-001000](#) [803-93-012-10-001000](#) [8-1437020-4](#)
[819-22-004-30-001101](#)