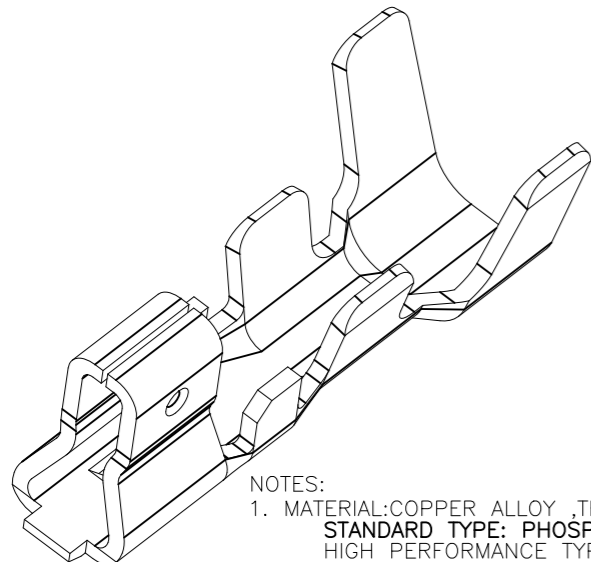
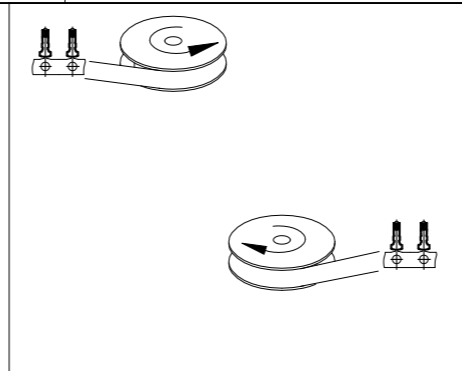


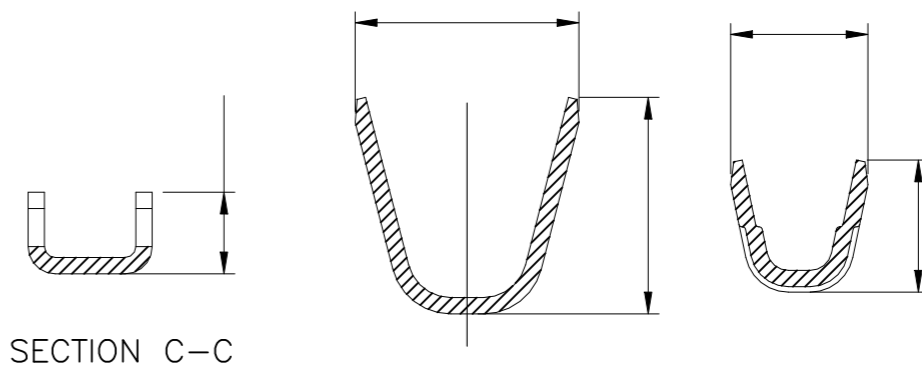
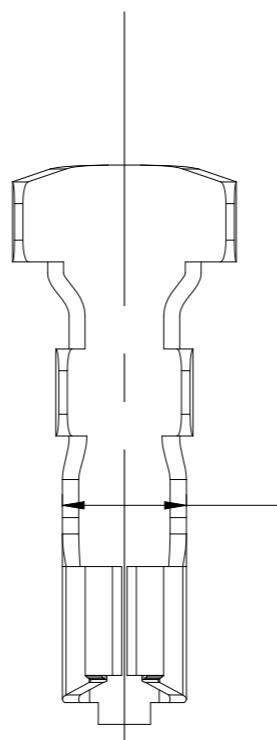
P	LTR	DESCRIPTION	DATE	DWN	APVD
	A1	ECR-21-121877	19NOV2021	T.Q	N.S



- NOTES:
- MATERIAL: COPPER ALLOY, THICKNESS 0.15
STANDARD TYPE: PHOSPHOR BRONZE.
HIGH PERFORMANCE TYPE: NICKEL COPPER.
 - PLATING
TYPE A: 50u"MIN NICKEL UNDER PLATING
100u" MIN PURE TIN OVER ALL.
TYPE B: 50u"MIN NICKEL UNDER PLATING
GOLD FLASH ON CONTACT AREA.
 - Q'TY: 10000 pcs/Reel..



1

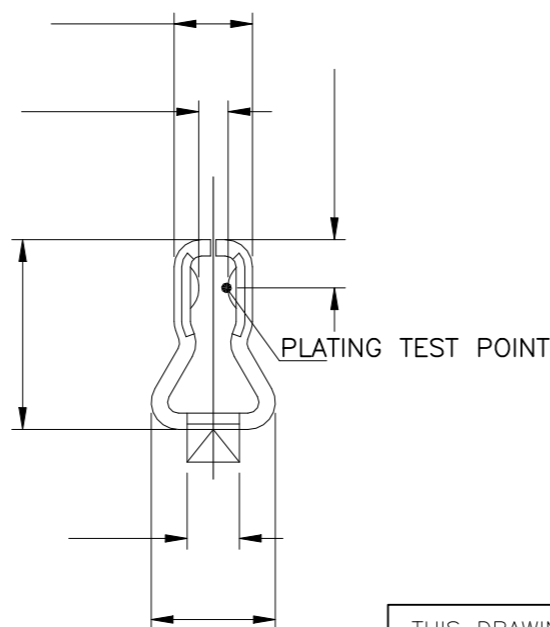
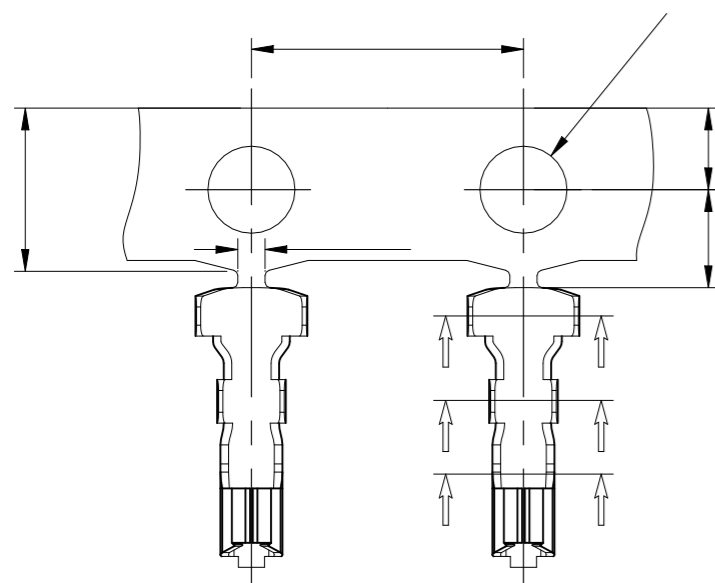
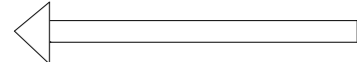


SECTION C-C

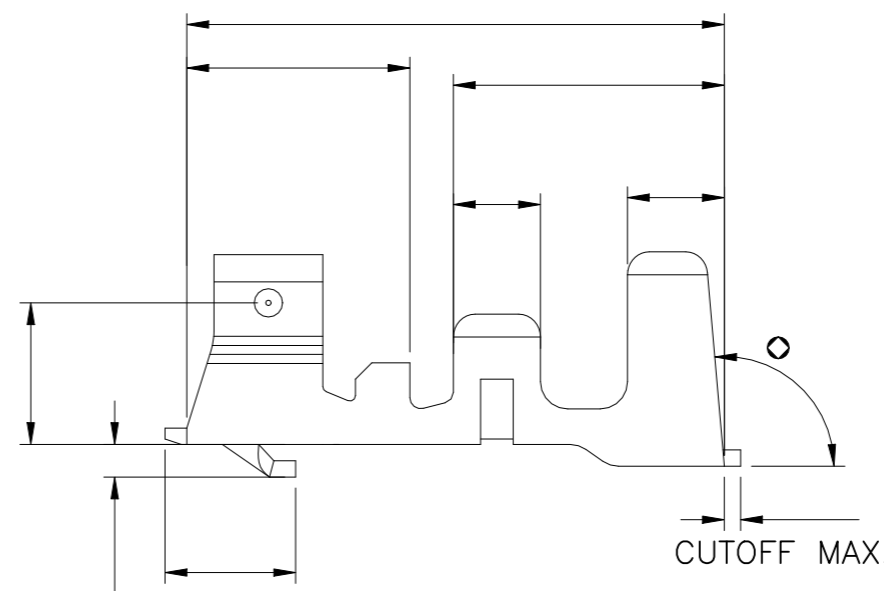
SECTION A-A

SECTION B-B

TO CRIMPING TOOL


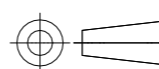


SCALE 2:1



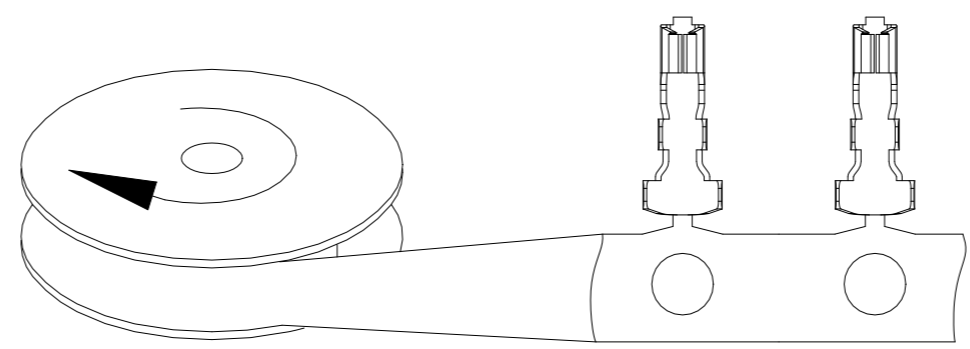
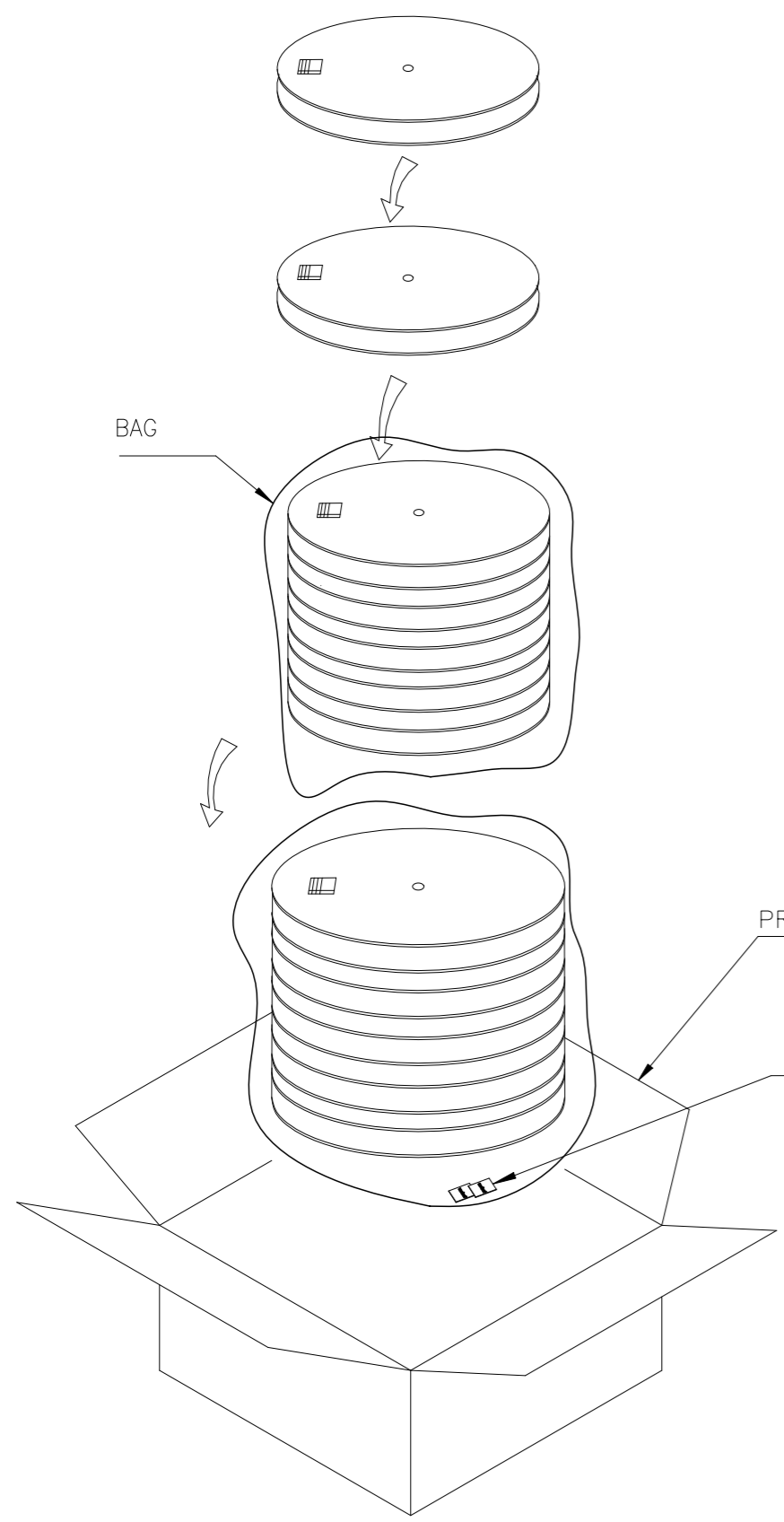
CUTOFF MAX.

2380403-4	HP TYPE	TYPE B
2380403-3	HP TYPE	TYPE A
2380403-2	ST TYPE	TYPE B
2380403-1	ST TYPE	TYPE A
P/N	MATERIAL	PLATING SPEC

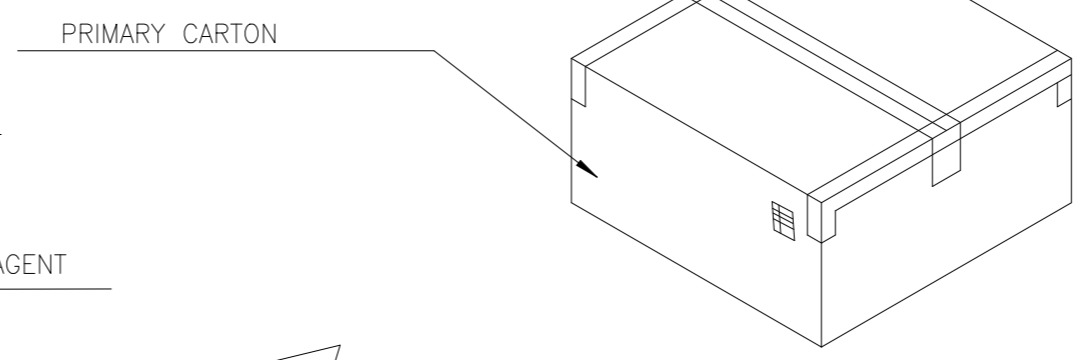
THIS DRAWING IS A CONTROLLED DOCUMENT.		DWN Jone Ji 23SEP2020	 TE Connectivity Ltd.	
DIMENSIONS: mm		CHK Wenke He		
		PRODUCT SPEC 108-115183		NAME 1.5P WT CONTACT WITH LATCH
MATERIAL SEE NOTE		FINISH SEE NOTE		APPLICATION SPEC -
		WEIGHT -	SIZE A3	CAGE CODE 00779
		DRAWING NO C-2380403		RESTRICTED TO -
		CUSTOMER DRAWING		SCALE N/A
		SHEET 1 OF 2		REV A1

© - TE Connectivity. All Rights Reserved.

REVISIONS					
P	LTR	DESCRIPTION	DATE	DWN	APVD
-	-	SEE SHEET 1	-	-	-



AFTER PLATING



THIS DRAWING IS A CONTROLLED DOCUMENT.

DIMENSIONS: mm	TOLERANCES UNLESS OTHERWISE SPECIFIED:
	0 PLC ± 0.5
	1 PLC ± 0.35
	2 PLC ± 0.25
	3 PLC ± 0.15
	4 PLC ± -
	ANGLES ± -

MATERIAL SEE NOTE

DWN	CHK	APVD	PRODUCT SPEC	APPLICATION SPEC	WEIGHT

STE TE Connectivity Ltd.

1.5P WTB CABLE CONTACT WITH LATCH

SIZE	CAGE CODE	DRAWING NO	RESTRICTED TO
A3	00779	C-2380403	-

CUSTOMER DRAWING SCALE N/A SHEET 2 OF 2 REV A1

X-ON Electronics

Largest Supplier of Electrical and Electronic Components

Click to view similar products for [Terminals category](#):

Click to view products by [TE Connectivity manufacturer](#):

Other Similar products are found below :

[00-054007-01074-6](#) [00-054007-70206-1](#) [00-054007-70210-8](#) [00-054007-70217-7](#) [00-054007-70228-3](#) [00-054007-70256-6](#) [00-054007-70316-7](#) [00-054007-49560-4](#) [00-054007-70209-2](#) [00-054007-70231-3](#) [00-054007-70241-2](#) [00-054007-70242-9](#) [00-054007-70246-7](#) [00-054007-70263-4](#) [00-054007-70288-7](#) [00-054007-70290-0](#) [00-054007-70300-6](#) [00-054007-70304-4](#) [01-2900-1-04412](#) [00581P0075](#) [600TS-10](#) [605601-1](#) [60598-1-CUT-TAPE](#) [60617-1-C](#) [61314-6-C](#) [61810-3](#) [62149-1](#) [626-0194](#) [63-S](#) [M55155/059I03](#) [M55155/079C01](#) [M55155/099B03](#) [M55155/099H02](#) [M55155/109H01](#) [M55155/12XH05](#) [M55155/29-5S](#) [M55155/29XJ08](#) [M55155/30-6S](#) [M55155/30-9S](#) [M55155/30XI09](#) [M6-14RSX](#) [696683-1](#) [696861-1](#) [696999-1](#) [M86700006](#) [D18-110B-C](#) [D18-110B-M](#) [701-1936](#) [701-1955](#) [701-2003](#)