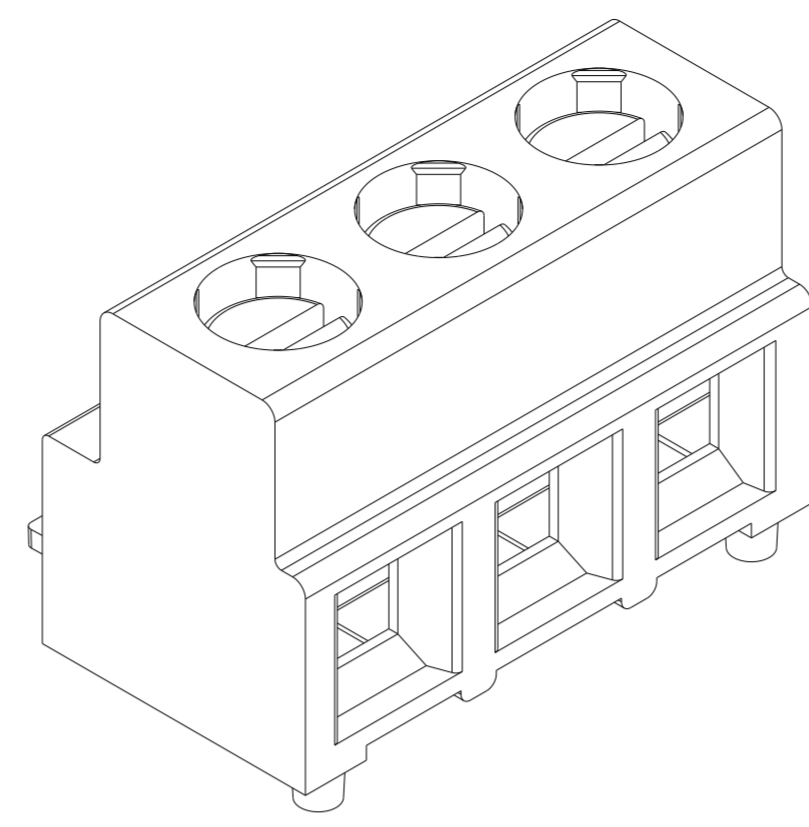
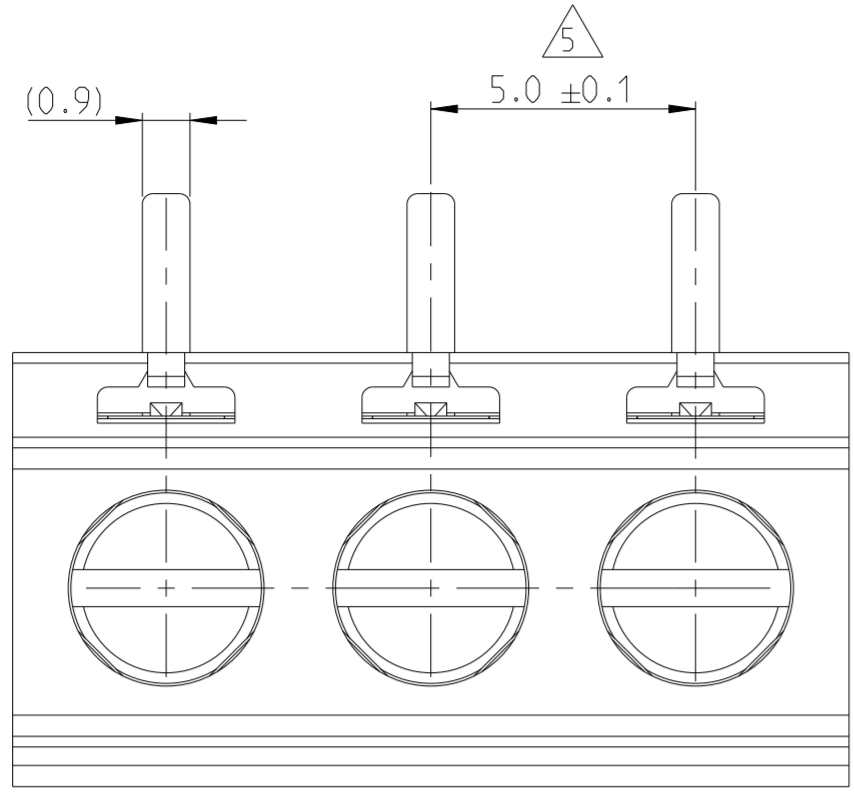


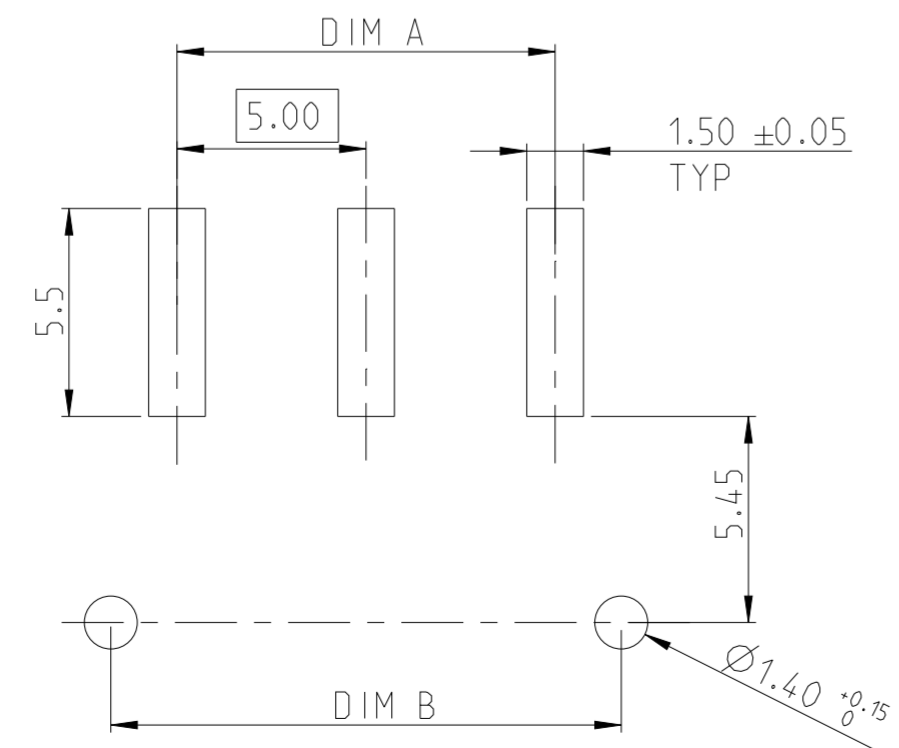
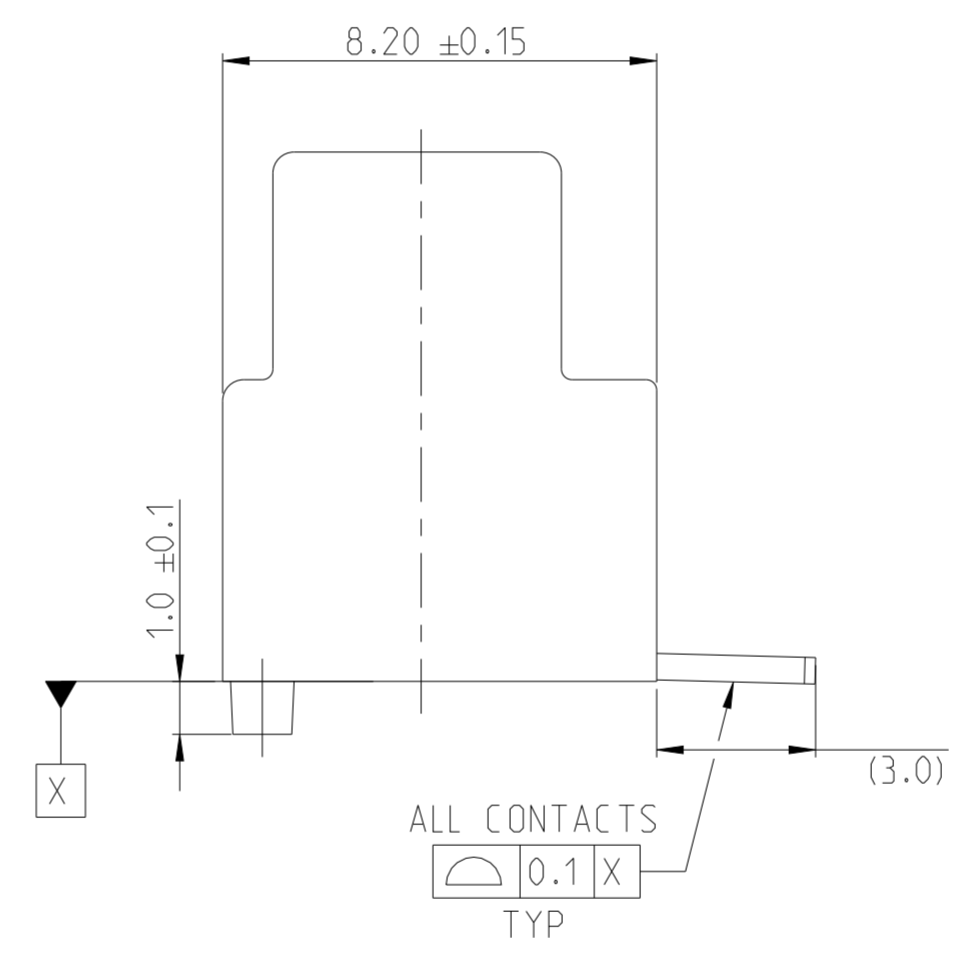
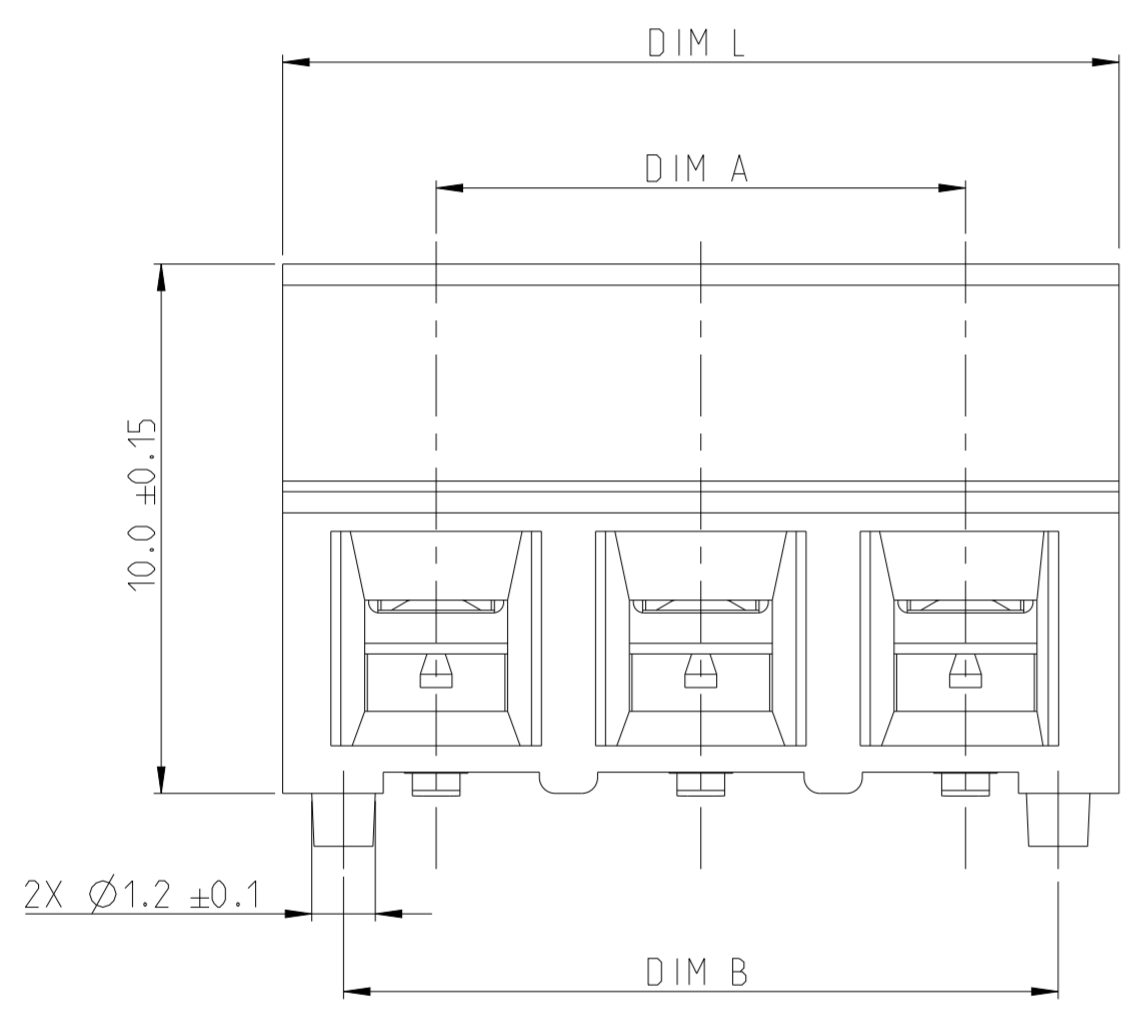
REVISIONS				
P	LTR	DESCRIPTION	DATE	APVD
1		PRELIMINARY	16DEC2020	DV PS
A		PRODUCTION RELEASE	28APR2021	SS PS
A1		NOTE 7 ADDED	23SEP2021	SS PS



2383938-3 AS SHOWN

NOTES

- 1. MATERIALS & FINISH  
 HOUSING : HIGH TEMPERATURE PA, UL94 V0, COLOR -BLACK  
 SCREW M3 : COPPER ALLOY, NICKEL PLATED  
 CLAMP : COPPER ALLOY, NICKEL PLATED  
 CONTACT : COPPER ALLOY, NICKEL & TIN PLATED
- 2. MECHANICAL  
 WIRE STRIPPING LENGTH : 5-6 mm  
 RECOMMENDED/HIGHEST TIGHTENING TORQUE : 0.5/0.6 Nm.
- 3. ELECTRICAL  
 WIRE RANGE : 16 - 30 AWG  
 MAX. VOLTAGE : 300 V  
 MAX CURRENT : 13.5 A  
 CONTACT RESISTANCE : <15 m Ohm  
 INSULATION RESISTANCE : >1000 M Ohm (500V DC)
- 4. OPERATING TEMPERATURE RANGE: -40 °C TO +105 °C
- 5. NOT CUMULATIVE TOLERANCE.
- 6. SCREW CLAMP WILL BE IN CLOSED CONDITION.
- 7. PACKAGING SPEC: 107-160084



RECOMMENDED PCB LAYOUT

DIM A	DIM B	DIM L	POSITION	TE PN
55.00 ±0.25	58.5 ±0.25	60.80 ±0.25	12	1-2383938-2
50.00 ±0.20	53.5 ±0.20	55.80 ±0.20	11	1-2383938-1
45.00 ±0.20	48.5 ±0.20	50.80 ±0.20	10	1-2383938-0
40.00 ±0.20	43.5 ±0.20	45.80 ±0.20	9	2383938-9
35.00 ±0.20	38.5 ±0.20	40.80 ±0.20	8	2383938-8
30.00 ±0.20	33.5 ±0.20	35.80 ±0.20	7	2383938-7
25.00 ±0.20	28.5 ±0.20	30.80 ±0.20	6	2383938-6
20.00 ±0.20	23.5 ±0.20	25.80 ±0.20	5	2383938-5
15.00 ±0.15	18.5 ±0.15	20.80 ±0.15	4	2383938-4
10.00 ±0.15	13.5 ±0.15	15.80 ±0.15	3	2383938-3
5.00 ±0.10	8.5 ±0.15	10.80 ±0.15	2	2383938-2

THIS DRAWING IS A CONTROLLED DOCUMENT.

DIMENSIONS: mm	TOLERANCES UNLESS OTHERWISE SPECIFIED:	DWN: 16DEC2020 DATESH VERNEKAR	CHK: 18DEC2020 SUBHASREE SAHOO	APVD: 18DEC2020 PRASHANTH S	NAME: TERMINAL BLOCK, SMD MOUNT, 180 DEGREE, 5 mm PITCH
MATERIAL	FINISH	PRODUCT SPEC: 108-160231	APPLICATION SPEC: -	WEIGHT: -	SIZE: A2
CUSTOMER DRAWING		SCALE: 5:1	SHEET: 1 OF 1	REV: A1	RESTRICTED TO

TE Connectivity

## X-ON Electronics

Largest Supplier of Electrical and Electronic Components

*Click to view similar products for [Pluggable Terminal Blocks](#) category:*

*Click to view products by [TE Connectivity](#) manufacturer:*

Other Similar products are found below :

[57.510.0053](#) [MC 1.5/ 6-ST-3.5 GY AU](#) [734-104](#) [734-302](#) [8-141-P](#) [8426620000](#) [860505](#) [860516](#) [860810](#) [GBPACX-12](#) [93.731.4953.0](#) [PV05-5,08-K](#) [PVP02-5,00](#) [PVP03-3,50](#) [PVP04-3,50](#) [PVS02-5,00](#) [1-1986160-3](#) [1377680000](#) [1531000000](#) [1546228-5](#) [ELFH16150](#) [ELFP03110](#) [ELFP10210](#) [ELFT06250](#) [ELVP03100](#) [1700101](#) [1700410](#) [1700425](#) [1702246](#) [1705229](#) [1710175](#) [1714537](#) [1717806](#) [1719600](#) [1728941](#) [1734692](#) [1734795](#) [1736036](#) [1740194](#) [1740291](#) [1740628](#) [1740990](#) [1746952](#) [1750207](#) [1752441](#) [1752865](#) [1754115](#) [1754144](#) [1756913](#) [1760051](#)