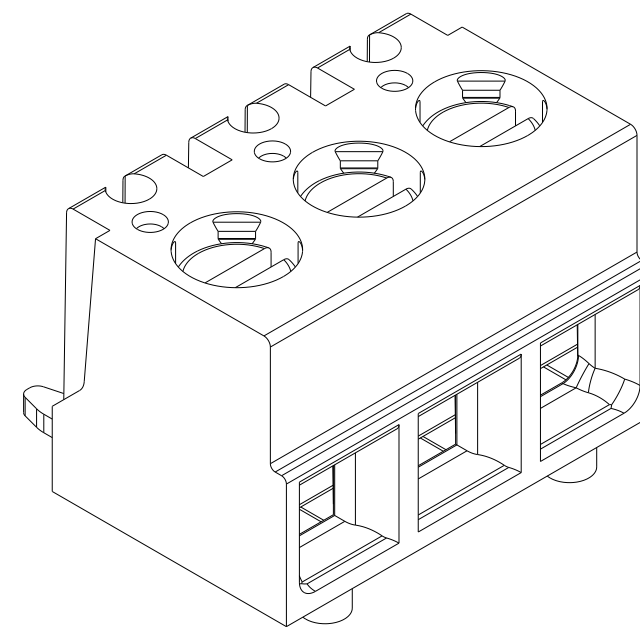
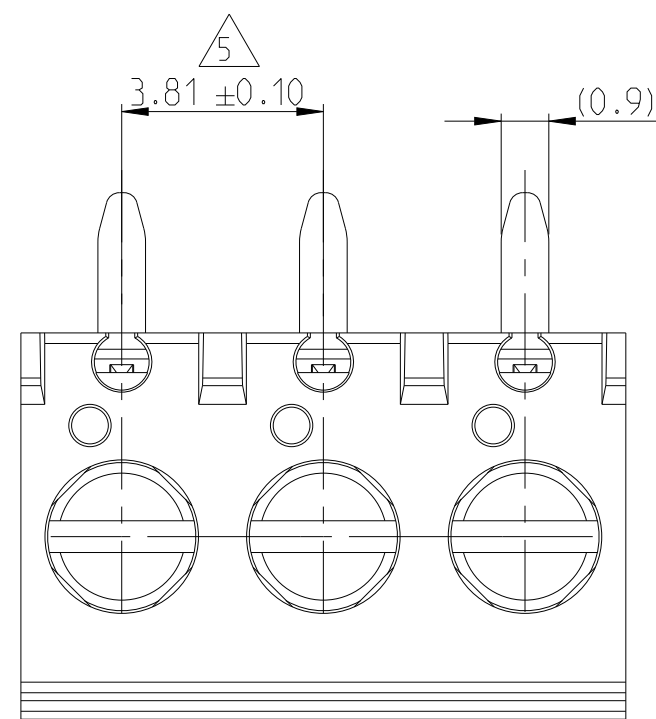


P	LTR	DESCRIPTION	DATE	DWN	APVD
1		PRELIMINARY	22DEC2020	DV	PS
A		PRODUCTION RELEASE	28APR2021	SS	PS
A1		NOTE 7 ADDED. NOTE 2 MODIFIED	23SEP2021	SS	PS



2383941-3 AS SHOWN

NOTES

- MATERIALS & FINISH**

HOUSING : HIGH TEMPERATURE PA, UL94 V0, COLOR -BLACK

SCREW M2 : COPPER ALLOY, NICKEL PLATED

CLAMP : COPPER ALLOY, NICKEL PLATED

CONTACT : COPPER ALLOY, NICKEL & TIN PLATED
- MECHANICAL**

WIRE STRIPPING LENGTH : 5-6 mm

RECOMMENDED/HIGHEST TIGHTENING TORQUE : 0.2/0.25 Nm.
- ELECTRICAL**

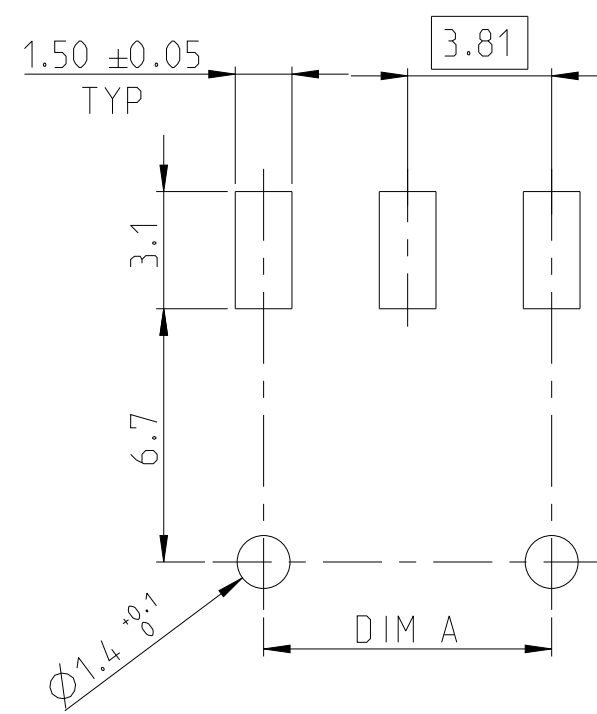
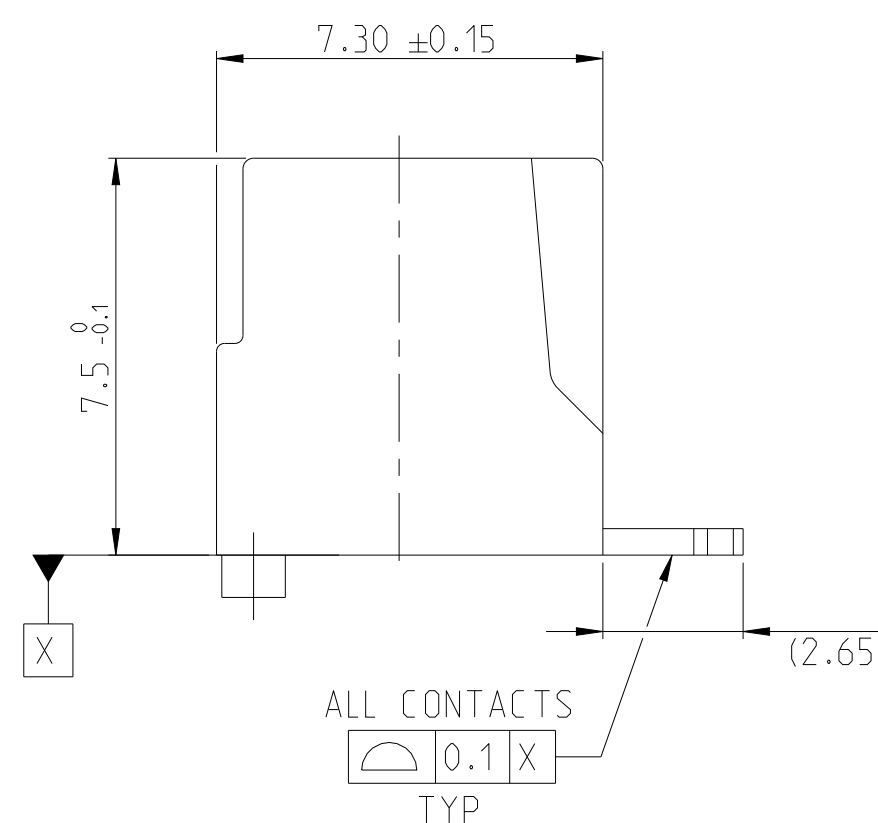
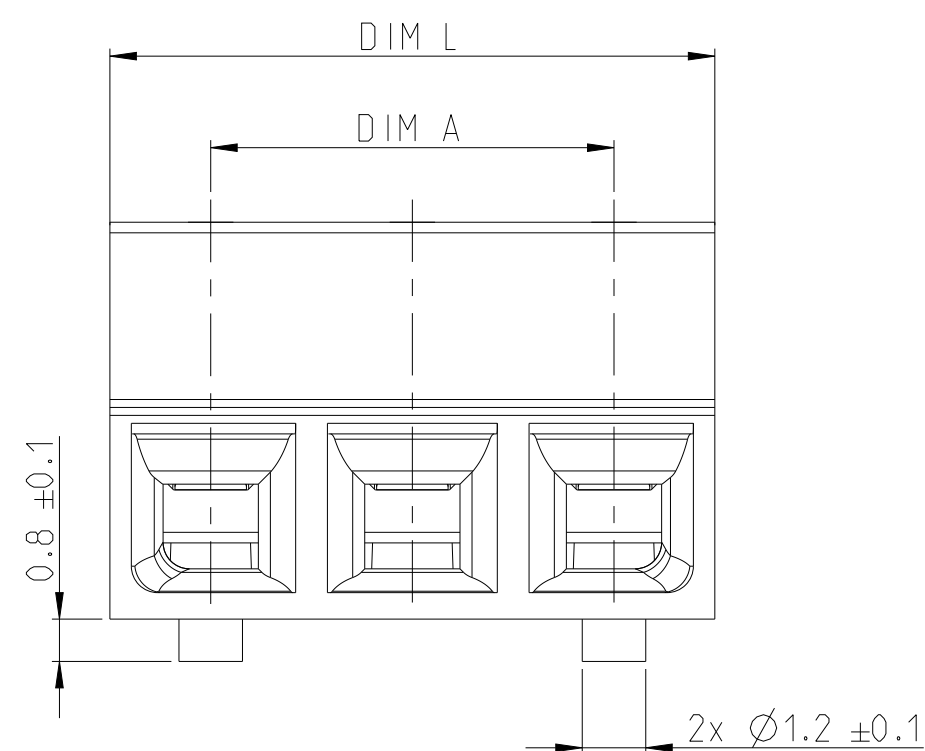
WIRE RANGE : 18 - 28 AWG

MAX. VOLTAGE : 300 V

MAX CURRENT : 7 A

CONTACT RESISTANCE : <15 m Ohm

INSULATION RESISTANCE : >1000 M Ohm (500V DC)
- OPERATING TEMPERATURE RANGE:** -40 °C TO +105 °C
- TOLERANCE NOT CUMULATIVE.
- SCREW CLAMP WILL BE IN CLOSED CONDITION.
- PACKAGING SPEC: 107-160084



RECOMMENDED PCB LAYOUT

41.91		45.72		12	1-2383941-2
38.10		41.91		11	1-2383941-1
34.29		38.10		10	1-2383941-0
30.48	±0.20	34.29	±0.20	9	2383941-9
26.67		30.48		8	2383941-8
22.86		26.67		7	2383941-7
19.05		22.86		6	2383941-6
15.24		19.05		5	2383941-5
11.43	±0.15	15.24	±0.15	4	2383941-4
7.62		11.43		3	2383941-3
3.81	±0.10	7.62		2	2383941-2
<b>DIM A</b>		<b>DIM L</b>		<b>POSITION</b>	<b>TE PN</b>

THIS DRAWING IS A CONTROLLED DOCUMENT.

DWN: 18DEC2020 DATESH VERNEKAR  
 CHK: 22DEC2020 SUBHASREE SAHOO  
 APVD: 22DEC2020 PRASHANTH S

TE Connectivity

NAME: TERMINAL BLOCK, SMD MOUNT, 180 DEGREE, 3.81 MM PITCH 7A

PRODUCT SPEC: 108-160231

APPLICATION SPEC: -

SIZE: A2 CAGE CODE: 00779 DRAWING NO: C-2383941 RESTRICTED TO: -

WEIGHT: -

CUSTOMER DRAWING SCALE: 5:1 SHEET: 1 OF 1 REV: A1

TOLERANCES UNLESS OTHERWISE SPECIFIED:

0 PLC	±
1 PLC	±0.3
2 PLC	±0.25
3 PLC	±
4 PLC	±
ANGLES	±
FINISH	±

## X-ON Electronics

Largest Supplier of Electrical and Electronic Components

*Click to view similar products for [Pluggable Terminal Blocks](#) category:*

*Click to view products by [TE Connectivity](#) manufacturer:*

Other Similar products are found below :

[57.510.0053](#) [MC 1.5/ 6-ST-3.5 GY AU](#) [734-104](#) [734-302](#) [8-141-P](#) [8426620000](#) [860505](#) [860516](#) [860810](#) [GBPACX-12](#) [93.731.4953.0](#) [PV05-5,08-K](#) [PVP03-3,50](#) [PVP04-3,50](#) [PVS02-5,00](#) [1-1986160-3](#) [1377680000](#) [1531000000](#) [1546228-5](#) [ELFH16150](#) [ELFP03110](#) [ELFP10210](#) [ELFT06250](#) [ELVP03100](#) [1700101](#) [1700410](#) [1700425](#) [1702246](#) [1705229](#) [1710175](#) [1714537](#) [1717806](#) [1719600](#) [1728941](#) [1734692](#) [1734795](#) [1736036](#) [1740194](#) [1740291](#) [1740628](#) [1740990](#) [1746952](#) [1750207](#) [1752441](#) [1752865](#) [1754115](#) [1754144](#) [1756913](#) [1760051](#) [1760336](#)