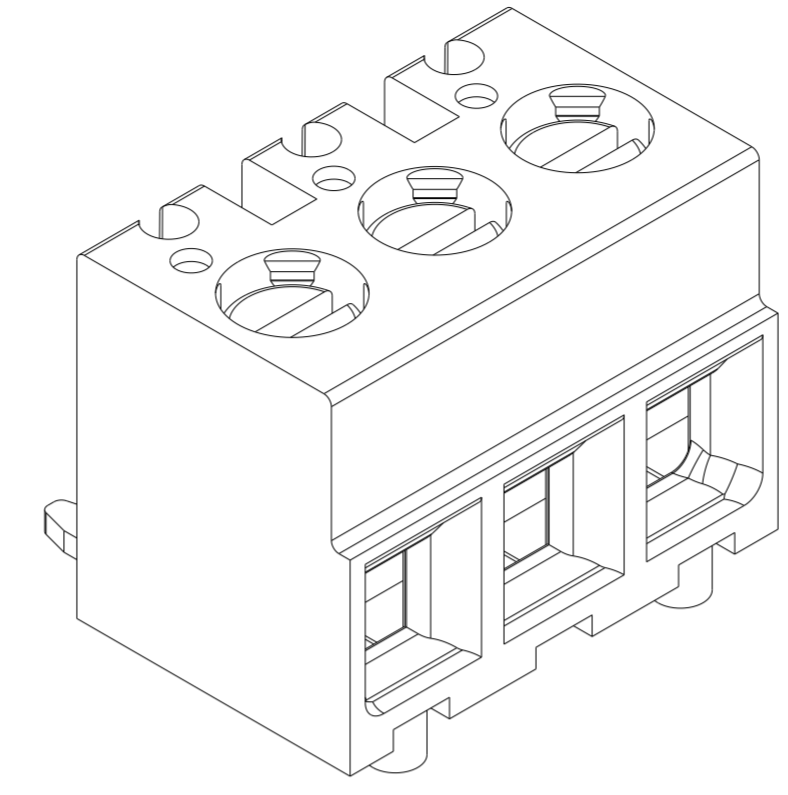
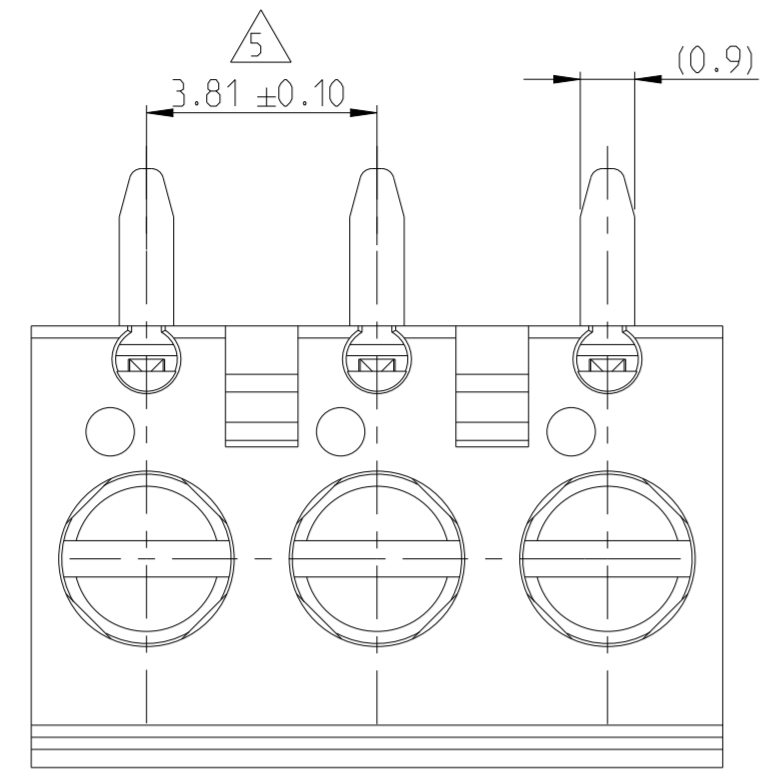


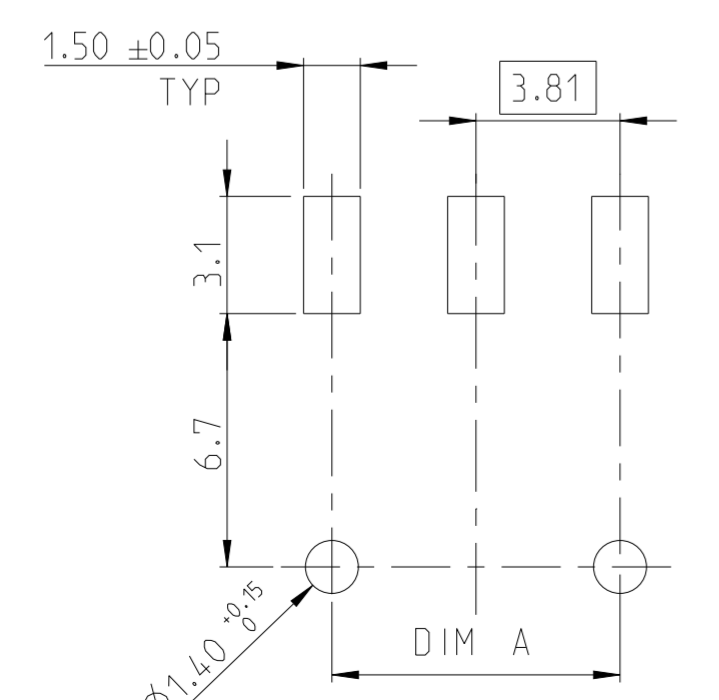
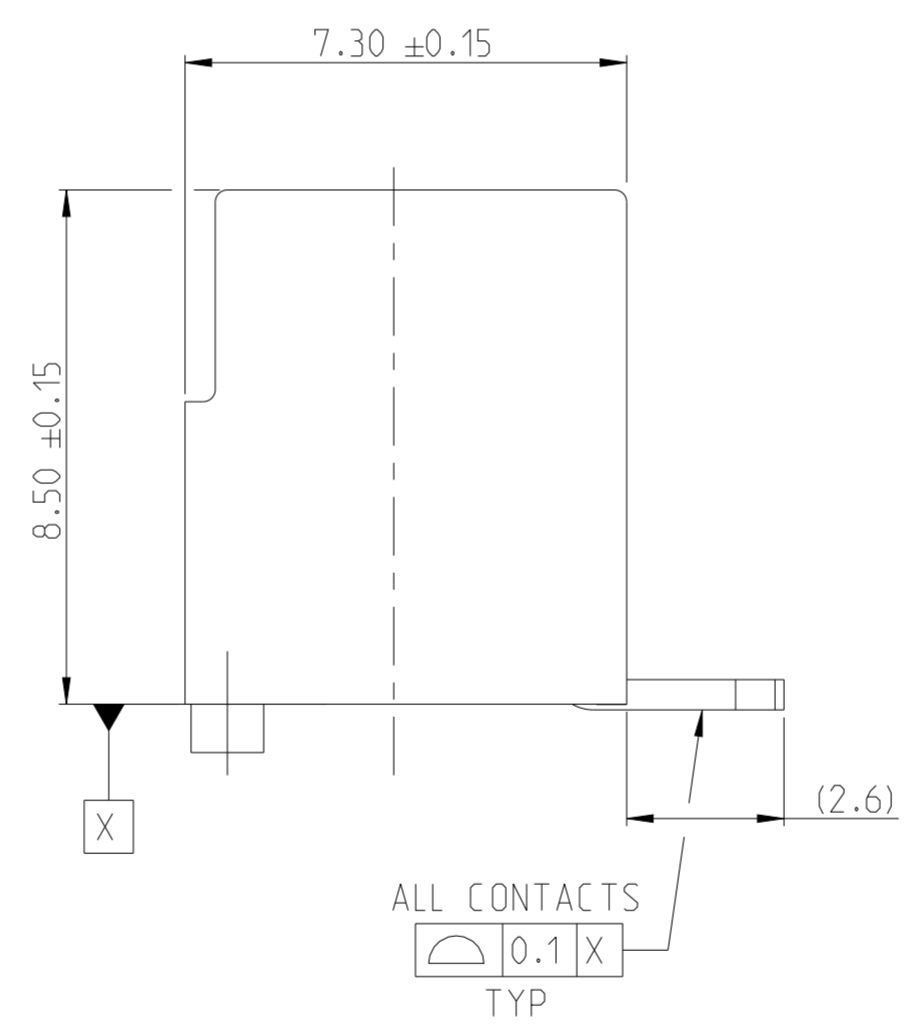
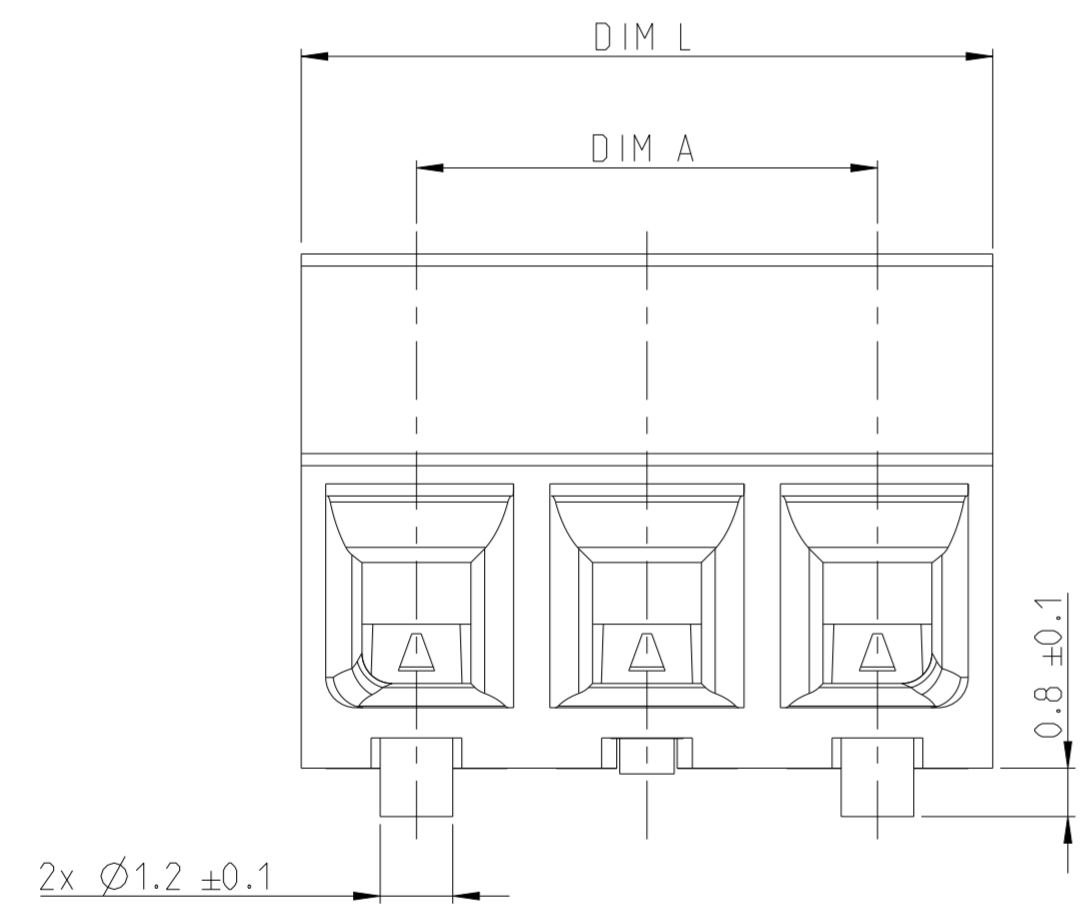
REVISIONS					
P	LTR	DESCRIPTION	DATE	DWN	APVD
1		PRELIMINARY	30DEC2020	DV	PS
A		PRODUCTION RELEASE	28APR2021	SS	PS
A1		NOTE 7 ADDED. NOTE 2 MODIFIED	23SEP2021	SS	PS



2383945-3 AS SHOWN

NOTES

- 1. MATERIALS & FINISH  
 HOUSING : HIGH TEMPERATURE PA, UL94 V0,  
 COLOR -BLACK  
 SCREW M2 : COPPER ALLOY, NICKEL PLATED  
 CLAMP : COPPER ALLOY, NICKEL PLATED  
 CONTACT : COPPER ALLOY, NICKEL & TIN PLATED
- 2. MECHANICAL  
 WIRE STRIPPING LENGTH : 5-6 mm  
 RECOMMENDED/HIGHEST TIGHTENING TORQUE : 0.2/0.25 Nm.
- 3. ELECTRICAL  
 WIRE RANGE : 16 - 28 AWG  
 MAX. VOLTAGE : 300 V  
 MAX CURRENT : 12 A  
 CONTACT RESISTANCE : <15 m Ohm  
 INSULATION RESISTANCE : >1000 M Ohm (500V DC)
- 4. OPERATING TEMPERATURE RANGE: -40 °C TO +105 °C
- 5. NOT CUMULATIVE TOLERANCE.
- 6. SCREW CLAMP WILL BE IN CLOSED CONDITION.
- 7. PACKAGING SPEC: 107-160084



RECOMMENDED PCB LAYOUT

DIM A	DIM L	POSITION	TE PN
41.91	45.72	12	1-2383945-2
38.10	41.91	11	1-2383945-1
34.29	38.10	10	1-2383945-0
30.48	34.29	9	2383945-9
26.67	30.48	8	2383945-8
22.86	26.67	7	2383945-7
19.05	22.86	6	2383945-6
15.24	19.05	5	2383945-5
11.43	15.24	4	2383945-4
7.62	11.43	3	2383945-3
3.81	7.62	2	2383945-2

THIS DRAWING IS A CONTROLLED DOCUMENT.

DWN: 29-DEC-20  
 DATESH VERNEKAR  
 CHK: 30-DEC-20  
 SUBHASREE SAHOO  
 APVD: 30-DEC-20  
 PRASHANTH S  
 PRODUCT SPEC: 108-160231  
 APPLICATION SPEC: -  
 MATERIAL: -  
 WEIGHT: -

TE Connectivity

NAME: TERMINAL BLOCK, SMD MOUNT  
 180 DEGREE, 3.81 mm PITCH 12A

SIZE: A2  
 CAGE CODE: 00779  
 DRAWING NO: C-2383945  
 RESTRICTED TO: -

CUSTOMER DRAWING  
 SCALE: 5:1  
 SHEET: 1 OF 1  
 REV: A1

## X-ON Electronics

Largest Supplier of Electrical and Electronic Components

*Click to view similar products for [Pluggable Terminal Blocks](#) category:*

*Click to view products by [TE Connectivity](#) manufacturer:*

Other Similar products are found below :

[57.510.0053](#) [MC 1.5/ 6-ST-3.5 GY AU](#) [734-104](#) [734-302](#) [8-141-P](#) [8426620000](#) [860505](#) [860516](#) [860810](#) [GBPACX-12](#) [93.731.4953.0](#) [PV05-5,08-K](#) [PVP02-5,00](#) [PVP03-3,50](#) [PVP04-3,50](#) [PVS02-5,00](#) [1-1986160-3](#) [1377680000](#) [1531000000](#) [1546228-5](#) [ELFH16150](#) [ELFP03110](#) [ELFP10210](#) [ELFT06250](#) [ELVP03100](#) [1700101](#) [1700410](#) [1700425](#) [1702246](#) [1705229](#) [1710175](#) [1714537](#) [1717806](#) [1719600](#) [1728941](#) [1734692](#) [1734795](#) [1736036](#) [1740194](#) [1740291](#) [1740628](#) [1740990](#) [1746952](#) [1750207](#) [1752441](#) [1752865](#) [1754115](#) [1754144](#) [1756913](#) [1760051](#)