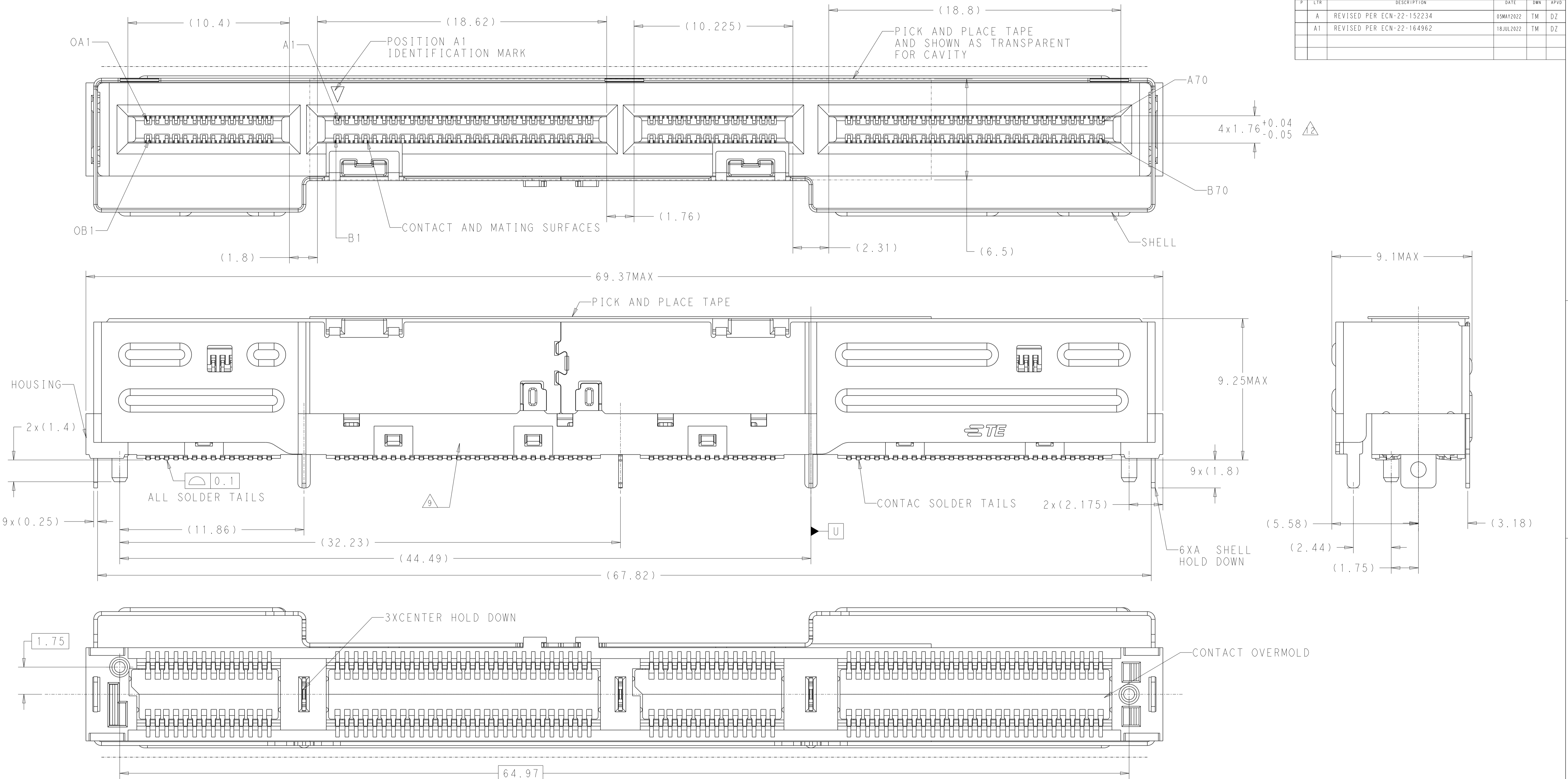


REVISIONS				
P	LTN	DESCRIPTION	DATE	APPROV
A		REVISED PER ECN-22-152234	05MAY2022	TM DZ
A1		REVISED PER ECN-22-164962	18JUL2022	TM DZ

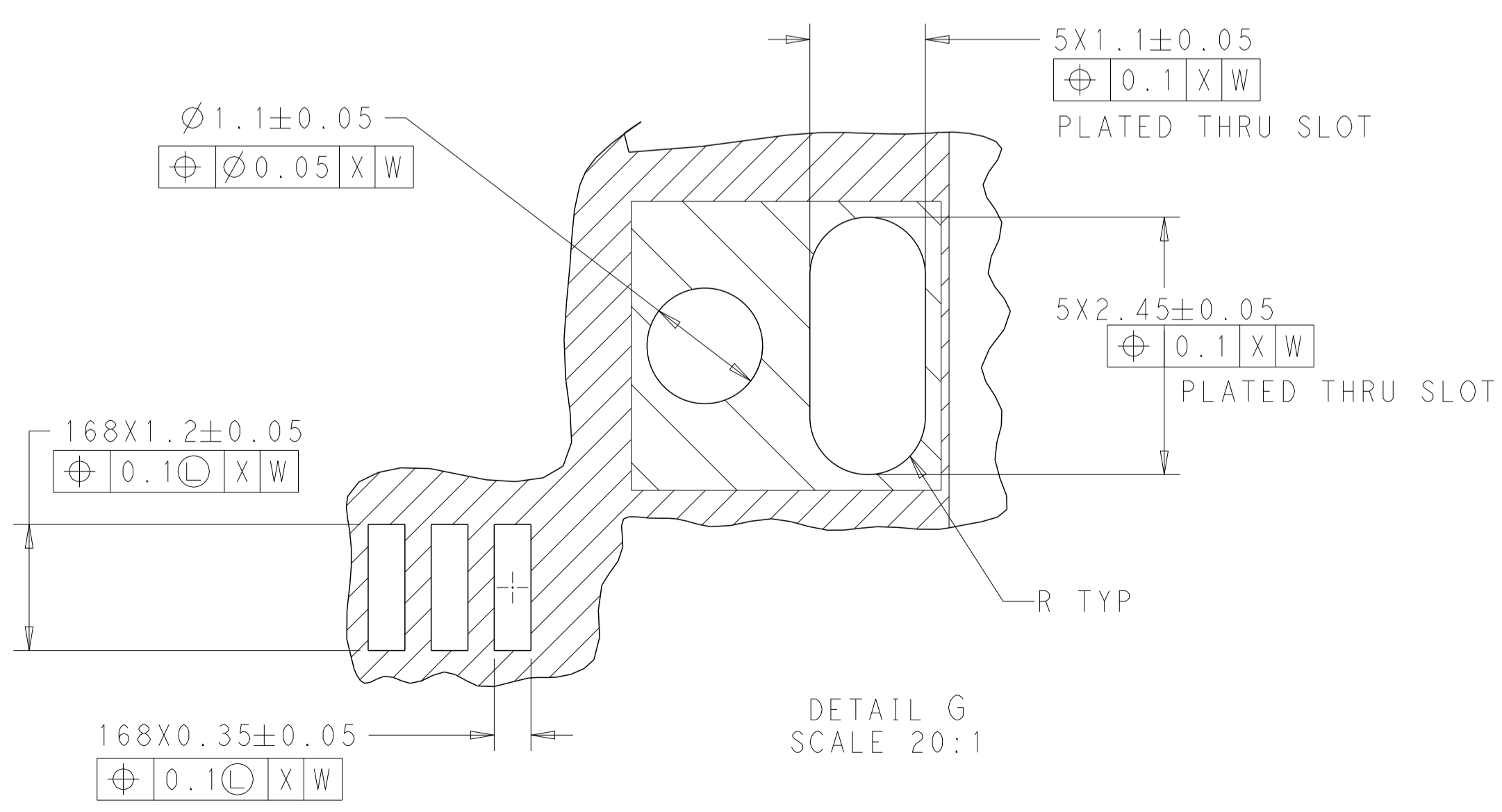
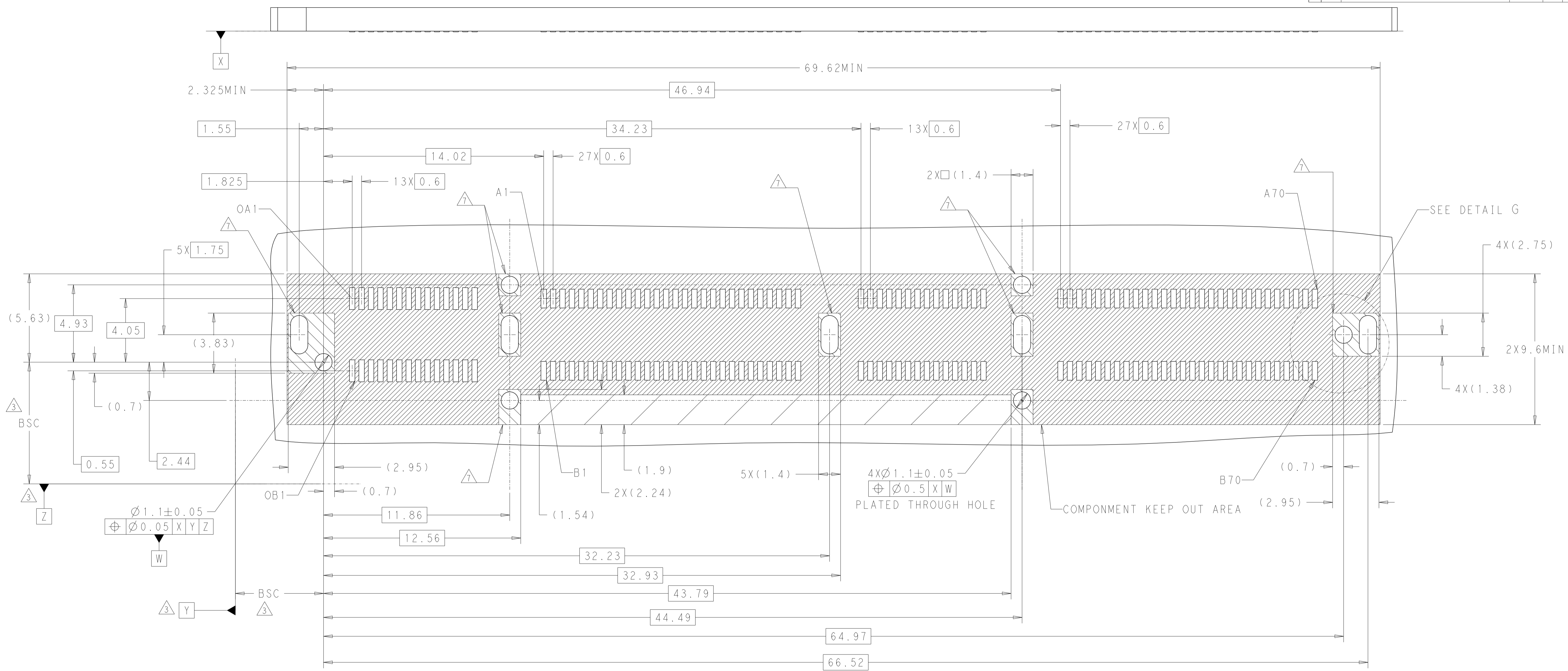


- △ HOUSING AND CONTACT OVERMOLDS - LCP, BLACK, UL94V-0 RATED. CONTACTS AND HOLD DOWNS - COPPER ALLOY. PICK AND PLACE TAPE - POLYIMIDE FILM.
- △ CONTACTS - GOLD PLATE ON MATING SURFACES, TIN PLATE ON SOLDER TAILS. HOLD DOWNS - TIN PLATE.
- △ DATUMS AND BASIC DIMENSIONS ESTABLISHED BY CUSTOMER.
- 4. DESIGNED FOR A 1.5 MIN THICK HOST PC BOARD.
- △ SEE MSA SPECIFICATION FOR ADDITIONAL PADDLE CARD LAYOUTS COMPATIBLE WITH THIS RECEPTACLE AND FOR OPTIONAL SPLIT CONTACT PAD LAYOUTS FOR THE PADDLE CARD. SPECIFICATION PINOUT MAY ALSO DESIGNATE PAD SEQUENCE DIFFERENT FROM ILLUSTRATION.
- △ POSITIONS DESIGNATED AS "SIGNAL" ARE REQUIRED LOCATIONS FOR HIGH SPEED DIFFERENTIAL PAIR SIGNALING. THESE LOCATIONS MAY ALSO BE USED FOR SUPPORTING SIDEBAND SIGNALS OR OTHER UTILITY PURPOSES. POSITIONS DESIGNATED AS "GROUND" ARE REQUIRED WHEN SUPPORTING HIGH SPEED DIFFERENTIAL SIGNALS. THESE LOCATIONS MAY ALSO BE USED FOR SIDEBAND SIGNALS OR OTHER UTILITY PURPOSES.

- △ COMPONENT AND TRACE KEEP OUT AREA. EACH EDGE 0.15 MIN FROM EDGE OF HOLE.
- △ DIMENSION APPLIES FROM CONTACT TAILS.
- △ DATE CODE MARKED IN APPROXIMATE AREA SHOWN.
- △ HARD TRAY PACKAGED FOR PICK AND PLACE SURFACE MOUNT PROCESSING, SEE FIGURE 1.
- △ TAPE AND REEL PACKAGED FOR PICK AND PLACE SURFACE MOUNT PROCESSING, SEE FIGURE 1. POCKET TAPE WIDTH = 88MM.
- △ MATES WITH BOARDS DESIGNED TO THE SFF-TA-1002 SPECIFICATION.

THIS DRAWING IS A CONTROLLED DOCUMENT.		OWN: TARUN MARDI 22FEB2022	TE Connectivity
DIMENSIONS: mm		CHK: DAVID ZHANG 22FEB2022	
TOLERANCES UNLESS OTHERWISE SPECIFIED: 0 PLC ±0.5 1 PLC ±0.13 2 PLC ±0.13 3 PLC ±0.013 4 PLC ±0.001 ANGLES ±0.001		APPR: DAVID ZHANG 22FEB2022	NAME: RECEPTACLE ASSEMBLY, VERTICAL, FOR SLIVER 2.0 168 POSITION
MATERIAL: TBD		FINISH: -	RESTRICTED TO: -
CUSTOMER DRAWING		WEIGHT: -	SIZE: A   00779   C=2384218
SCALE: 8:1		SHEET: 1 OF 4	REV: A1

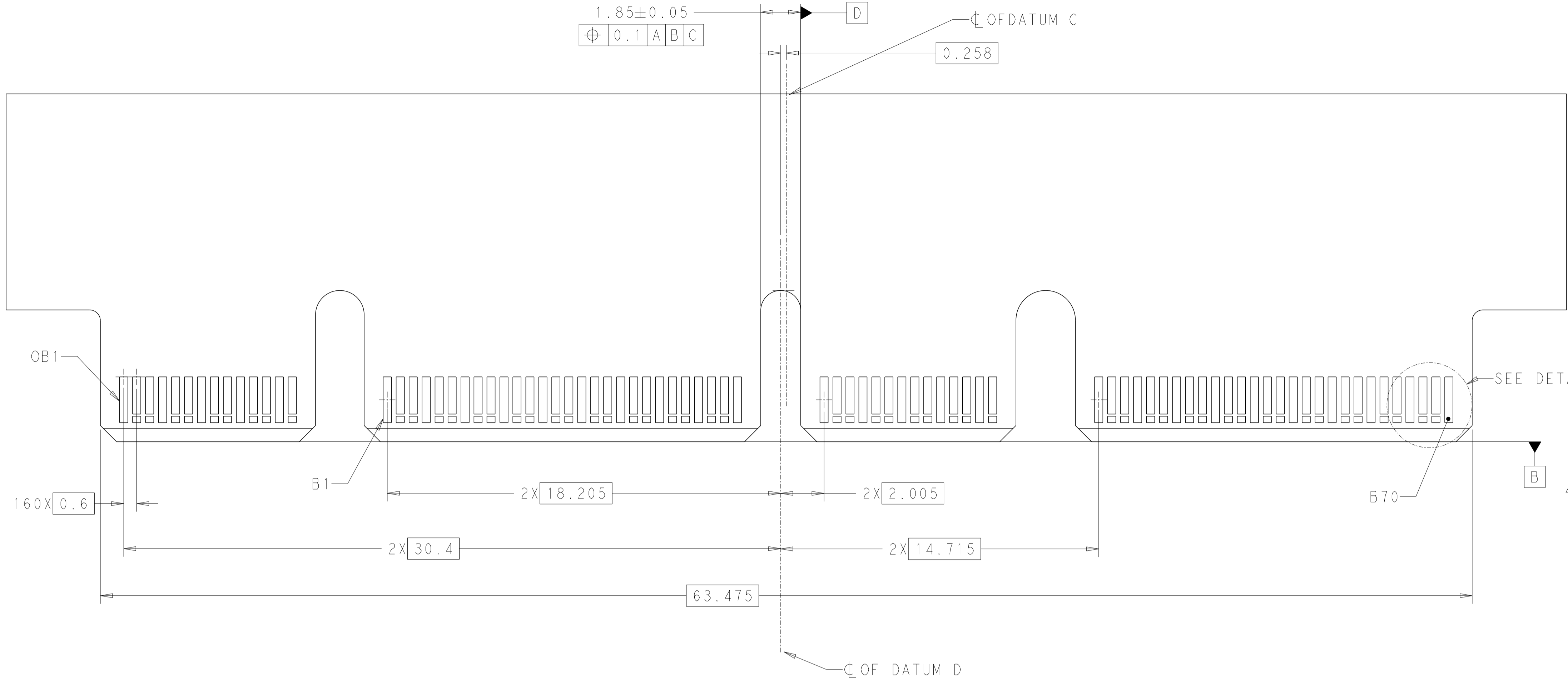
REVISIONS				
P.	LTH	DESCRIPTION	DATE	APPD
		SEE SHEET 1		



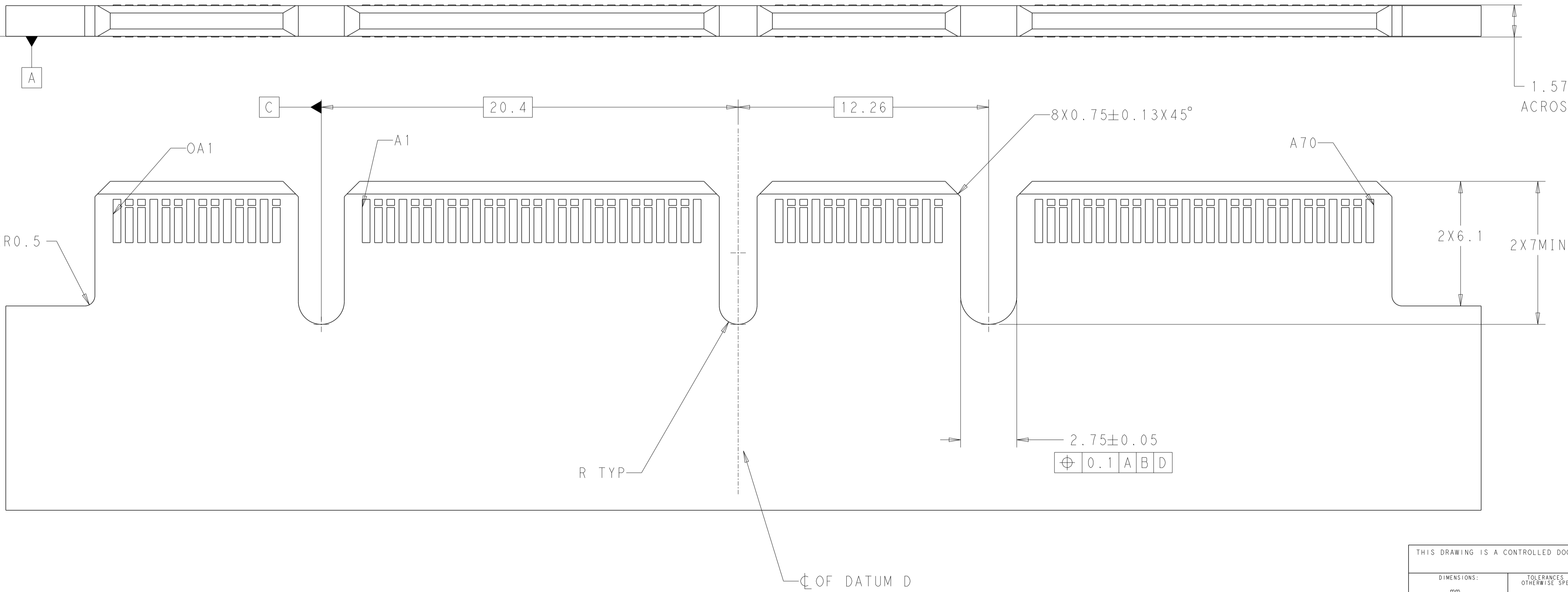
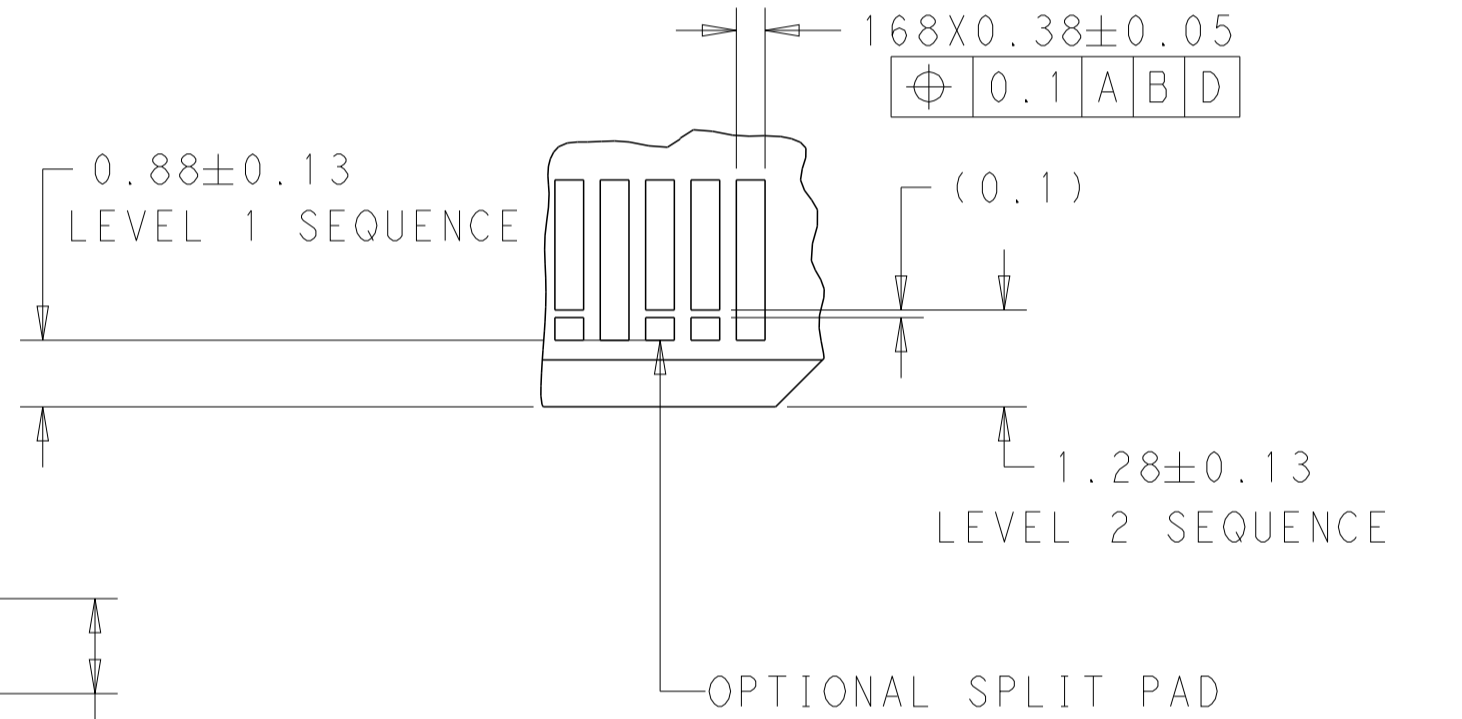
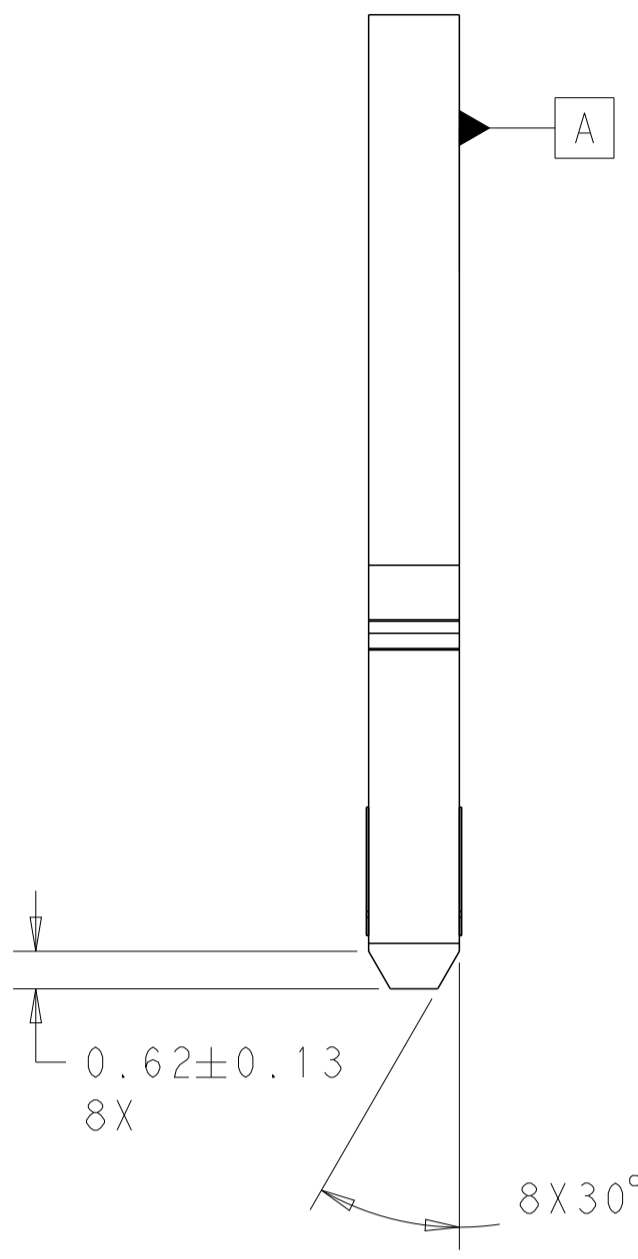
RECOMMENDED PCB LAYOUT

THIS DRAWING IS A CONTROLLED DOCUMENT.		OWN: TARUN MARDI 22FEB2022	TE Connectivity
DIMENSIONS: mm		CHK: DAVID ZHANG 22FEB2022	
TOLERANCES UNLESS OTHERWISE SPECIFIED:		APPD: DAVID ZHANG 22FEB2022	NAME: RECEPTACLE ASSEMBLY, VERTICAL, FOR SLIVER 2.0 168 POSITION
0 PLC ±0.5	1 PLC ±0.13	PRODUCT SPEC	APPLICATION SPEC
2 PLC ±0.13	3 PLC ±0.013	SIZE	CAGE CODE
4 PLC ±0.001	ANGLES ±0.0001	FINISH	DRAWING NO
MATERIAL: TBD	FINISH: -	WEIGHT: -	RESTRICTED TO: -
CUSTOMER DRAWING		SCALE: 2:1	SHEET 2 OF 4

REVISIONS				
P	LTN	DESCRIPTION	DATE	APVD
		SEE SHEET 1		



RECOMMENDED PCB OUTLINE DIMENSIONS.  
TOLERANCE VALUES ARE CRITICAL. PLEASE BE SURE TO DESIGNATE  
TOLERANCES TO PCB SUPPLIER TO ENSURE OPTIMIZED FUNCTIONALITY



DETAIL E SCALE 10:1

THIS DRAWING IS A CONTROLLED DOCUMENT.		OWN: TARUN MARRI 22FEB2022	
		CHK: DAVID ZHANG 22FEB2022	
DIMENSIONS:		APVD: DAVID ZHANG 22FEB2022	NAME: RECEPTACLE ASSEMBLY, VERTICAL, FOR SLIVER 2.0 168 POSITION PRODUCT SPEC: - APPLICATION SPEC: -
mm 0 PLC ±0.5 2 PLC ±0.13 3 PLC ±0.013 4 PLC ±0.001 ANGLES ±0.001		SIZE: A CAGE CODE: 00779 DRAWING NO: C=2384218	
MATERIAL: TBD		WEIGHT: -	RESTRICTED TO: -
		CUSTOMER DRAWING	SCALE: 2:1 SHEET 3 OF 4 REV: A1

CONNECTOR CONTACT IDENTIFICATION  

REVISIONS				
P.	LTN.	DESCRIPTION	DATE	APVD.
		SEE SHEET 1		

CONTACT NUMBER	SIDE A	SIDE B
1	GROUND	GROUND
2	SIGNAL	SIGNAL
3	SIGNAL	SIGNAL
4	GROUND	GROUND
5	SIGNAL	SIGNAL
6	SIGNAL	SIGNAL
7	GROUND	GROUND
8	SIGNAL	SIGNAL
9	SIGNAL	SIGNAL
10	GROUND	GROUND
11	SIGNAL	SIGNAL
12	SIGNAL	SIGNAL
13	GROUND	GROUND
14	SIGNAL	SIGNAL
15	SIGNAL	SIGNAL
16	GROUND	GROUND
17	SIGNAL	SIGNAL
18	SIGNAL	SIGNAL
19	GROUND	GROUND
20	SIGNAL	SIGNAL
21	SIGNAL	SIGNAL
22	GROUND	GROUND
23	SIGNAL	SIGNAL
24	SIGNAL	SIGNAL
25	GROUND	GROUND
26	SIGNAL	SIGNAL
27	SIGNAL	SIGNAL
28	GROUND	GROUND
29	GROUND	GROUND
30	SIGNAL	SIGNAL
31	SIGNAL	SIGNAL
32	GROUND	GROUND
33	SIGNAL	SIGNAL
34	SIGNAL	SIGNAL
35	GROUND	GROUND

CONTACT NUMBER	SIDE A	SIDE B
36	SIGNAL	SIGNAL
37	SIGNAL	SIGNAL
38	GROUND	GROUND
39	SIGNAL	SIGNAL
40	SIGNAL	SIGNAL
41	GROUND	GROUND
42	GROUND	GROUND
43	GROUND	GROUND
44	SIGNAL	SIGNAL
45	SIGNAL	SIGNAL
46	GROUND	GROUND
47	SIGNAL	SIGNAL
48	SIGNAL	SIGNAL
49	GROUND	GROUND
50	SIGNAL	SIGNAL
51	SIGNAL	SIGNAL
52	GROUND	GROUND
53	SIGNAL	SIGNAL
54	SIGNAL	SIGNAL
55	GROUND	GROUND
56	SIGNAL	SIGNAL
57	SIGNAL	SIGNAL
58	GROUND	GROUND
59	SIGNAL	SIGNAL
60	SIGNAL	SIGNAL
61	GROUND	GROUND
62	SIGNAL	SIGNAL
63	SIGNAL	SIGNAL
64	GROUND	GROUND
65	SIGNAL	SIGNAL
66	SIGNAL	SIGNAL
67	GROUND	GROUND
68	SIGNAL	SIGNAL
69	SIGNAL	SIGNAL
70	GROUND	GROUND

CONTACT NUMBER	SIDE OA	SIDE OB
1	GROUND	GROUND
2	SIGNAL	SIGNAL
3	SIGNAL	SIGNAL
4	GROUND	GROUND
5	SIGNAL	SIGNAL
6	SIGNAL	SIGNAL
7	GROUND	GROUND
8	SIGNAL	SIGNAL
9	SIGNAL	SIGNAL
10	GROUND	GROUND
11	SIGNAL	SIGNAL
12	SIGNAL	SIGNAL
13	GROUND	GROUND
14	GROUND	GROUND

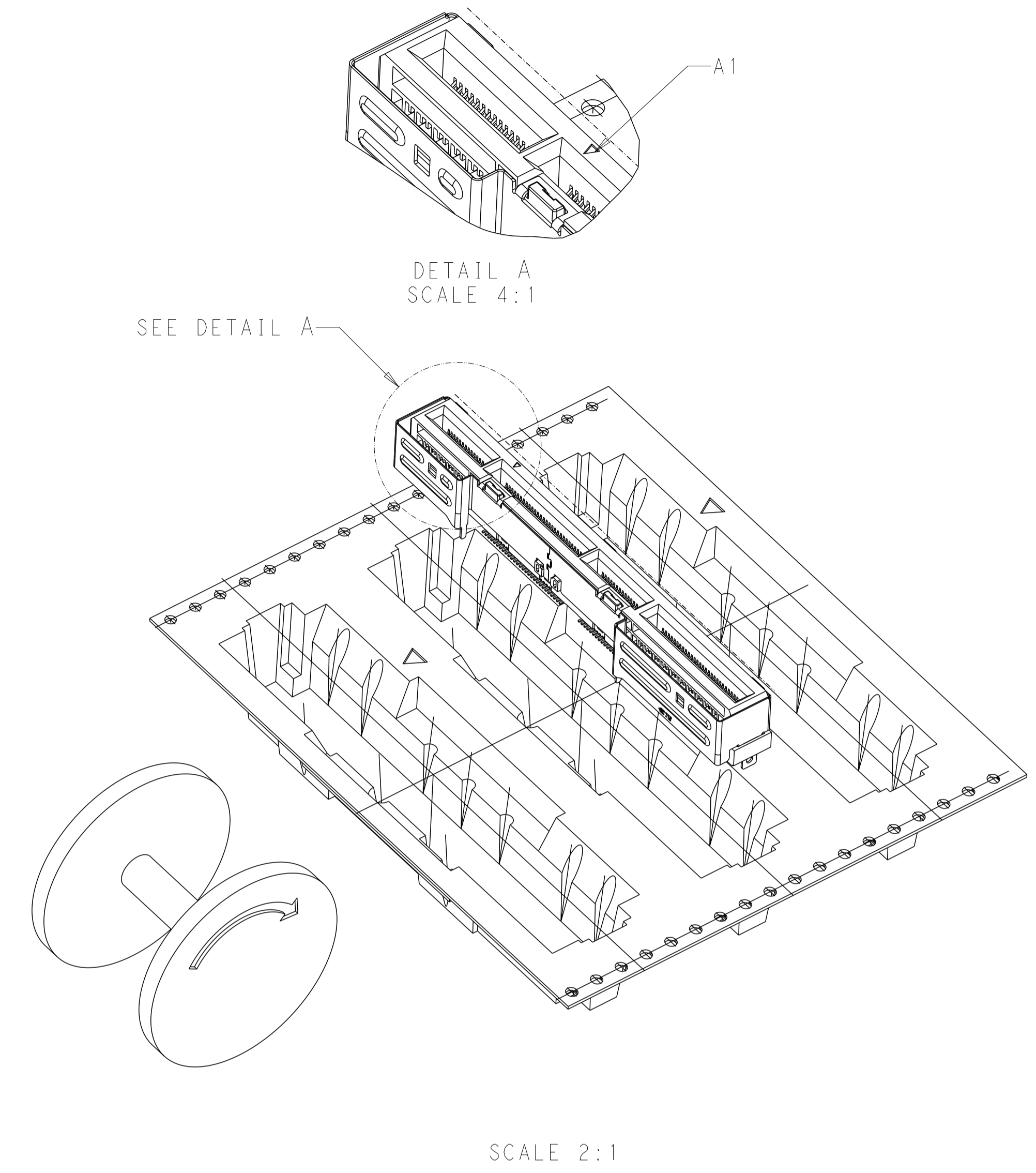



FIGURE 1   
 DIRECTION OFF TOP OF REEL  
 FOR USER UNREELING  
 SCALE 2:1

1.8±0.1	BLUE (PANTONE 300C)	0.76µm Au	24	250	NO	200	2384218-5
1.8±0.1	BLACK	0.76µm Au	24	250	YES	200	1-2384218-4
1.8±0.1	BLACK	0.76µm Au	24	250	NO	200	1-2384218-3
1.8±0.1	BLACK	0.38µm Au	24	250		100	1-2384218-2
1.8±0.1	BLACK	FLASH Au/PdNi	24	250		50	1-2384218-1
1.8±0.1	NATURAL	0.76µm Au	24	250	YES	200	2384218-4
1.8±0.1	BLACK	0.76µm Au	20	300		200	2384218-3
1.8±0.1	BLACK	0.38µm Au				100	2384218-2
1.8±0.1	BLACK	FLASH Au/PdNi	50	2384218-1			
A	COLOR	PLATING	POCKET TAPE PITCH	REEL QUANTITY	PICK AND PLACE TAPE	MATING CYCLES	PART NUMBER

THIS DRAWING IS A CONTROLLED DOCUMENT. **STE** TE Connectivity

DIMENSIONS: mm	TOLERANCES UNLESS OTHERWISE SPECIFIED:	OWN: TARUN MARRI 22FEB2022	CHK: DAVID ZHANG 22FEB2022	NAME: RECEPTACLE ASSEMBLY, VERTICAL, FOR SLIVER 2.0 168 POSITION
0 PLC ±0.5	1 PLC ±0.13	APVD: DAVID ZHANG 22FEB2022	PRODUCT SPEC: -	SIZE: -
2 PLC ±0.013	3 PLC ±0.001	APPLICATION SPEC: -	WEIGHT: -	RESTRICTED TO: -
4 PLC ±0.0001	ANGLES ±0.001	MATERIAL: TBD	FINISH: -	CUSTOMER DRAWING

SCALE 2:1 SHEET 4 OF 4 REV A1

## X-ON Electronics

Largest Supplier of Electrical and Electronic Components

*Click to view similar products for [I/O Connectors](#) category:*

*Click to view products by [TE Connectivity](#) manufacturer:*

Other Similar products are found below :

[571763P](#) [59811-0000](#) [61-168618-12P](#) [D20419-211](#) [D38999/24FG11SN L/C](#) [76871-1403](#) [PCR-E36PM](#) [PCS-XE26LKA](#) [PCS-XES68MS+](#)  
[G38A71314B](#) [9776-18-6](#) [DX40-50P\(55\)](#) [1571250010](#) [157-22500-3](#) [MS3471L14-19P L/C](#) [192991-0703](#) [91-644626-35P](#) [SM3100RC14S-9P-](#)  
[115](#) [FCN-260C008-A/L0](#) [FCN-260C024-AL0](#) [FCN-261Z008](#) [200331-1](#) [PCS-E28FS+](#) [PCS-XE26SLFD+](#) [PCS-XE26SLFDT+](#)  
[G730VID08BDC24](#) [HDMR-29-01-S-SM-TR](#) [HDR-E14MSG1+](#) [54182-0605](#) [UE86K842720321](#) [38113800006](#) [DP3AR020WQ1R200](#)  
[Z4.102.0680.0](#) [500-1040](#) [500-1052](#) [500-1054](#) [ZP-4008-66L](#) [10-584459-12P](#) [DX40-20P\(55\)](#) [5554841-1](#) [SM3100F14S-12P](#) [SM3106F14S-7S-](#)  
[LC](#) [SM3106R18-18S](#) [U90B3054061110](#) [U65-E04-4020](#) [557-262M2-06C](#) [PCS-96LFD+](#) [60-042222-02S](#) [10099439-003C-TRLF](#) [226-0348-](#)  
[000](#)