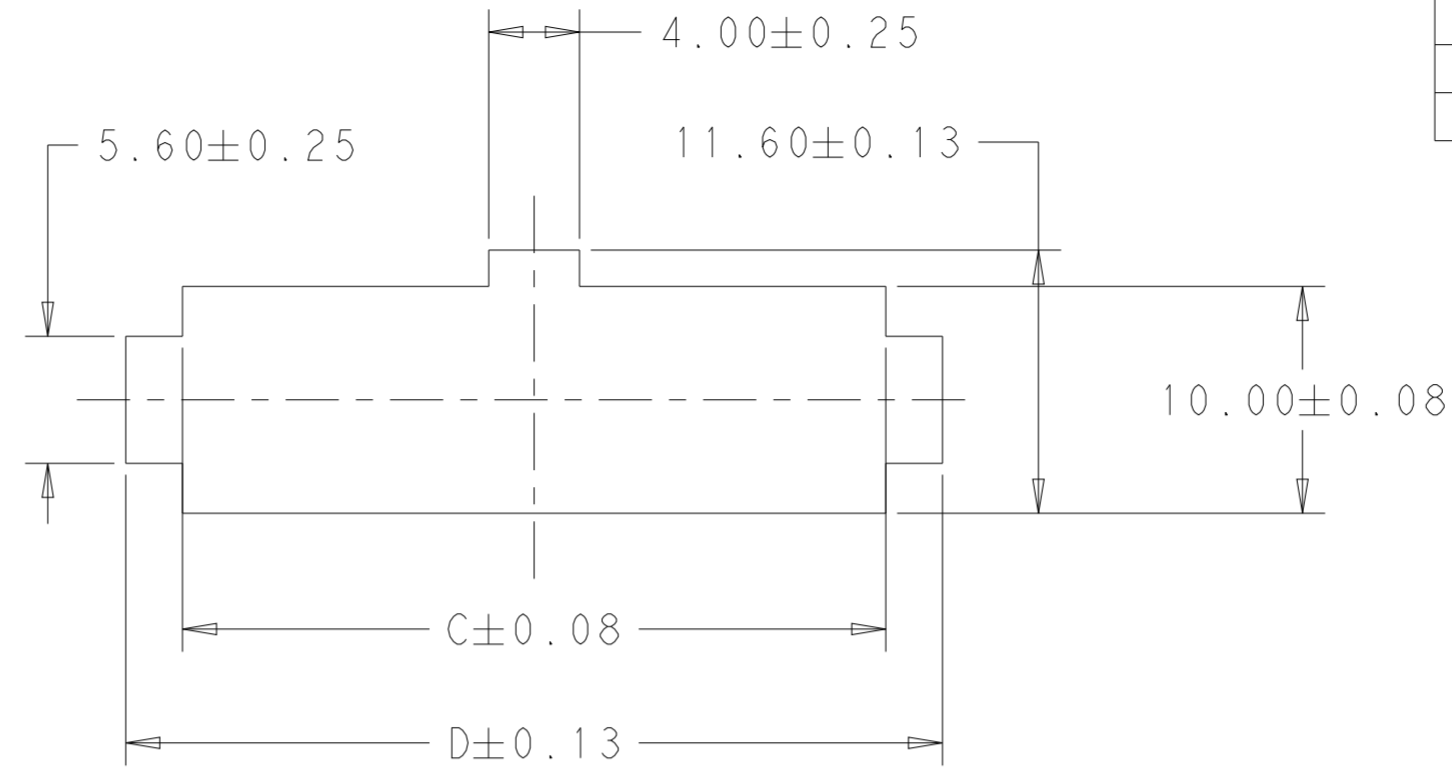
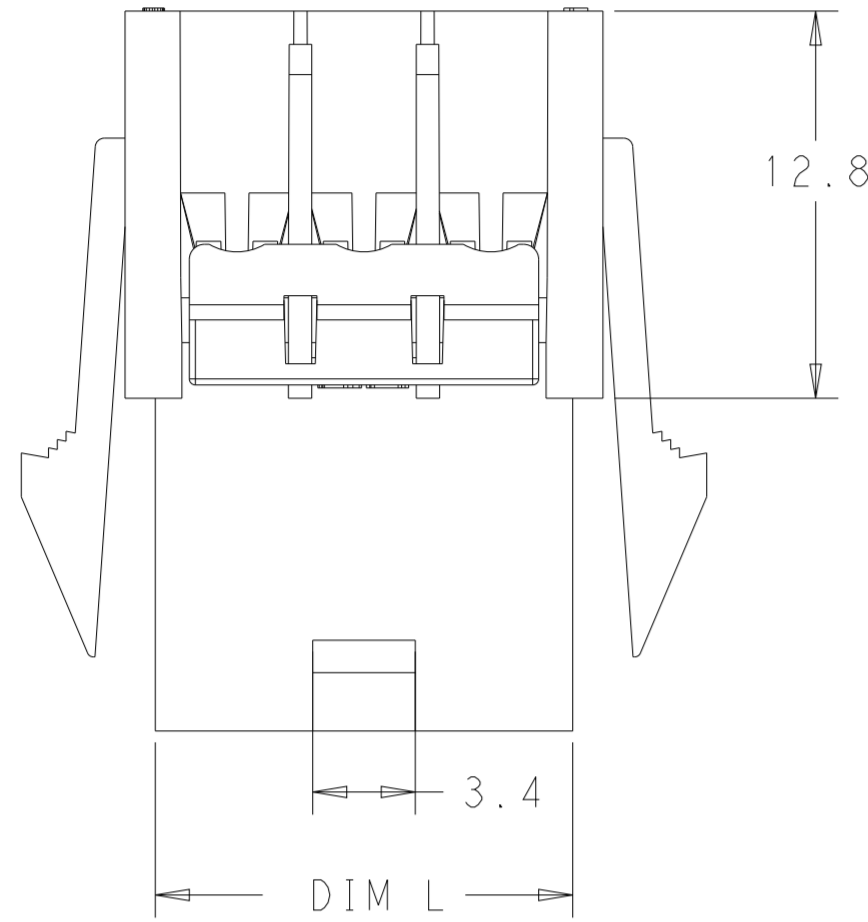
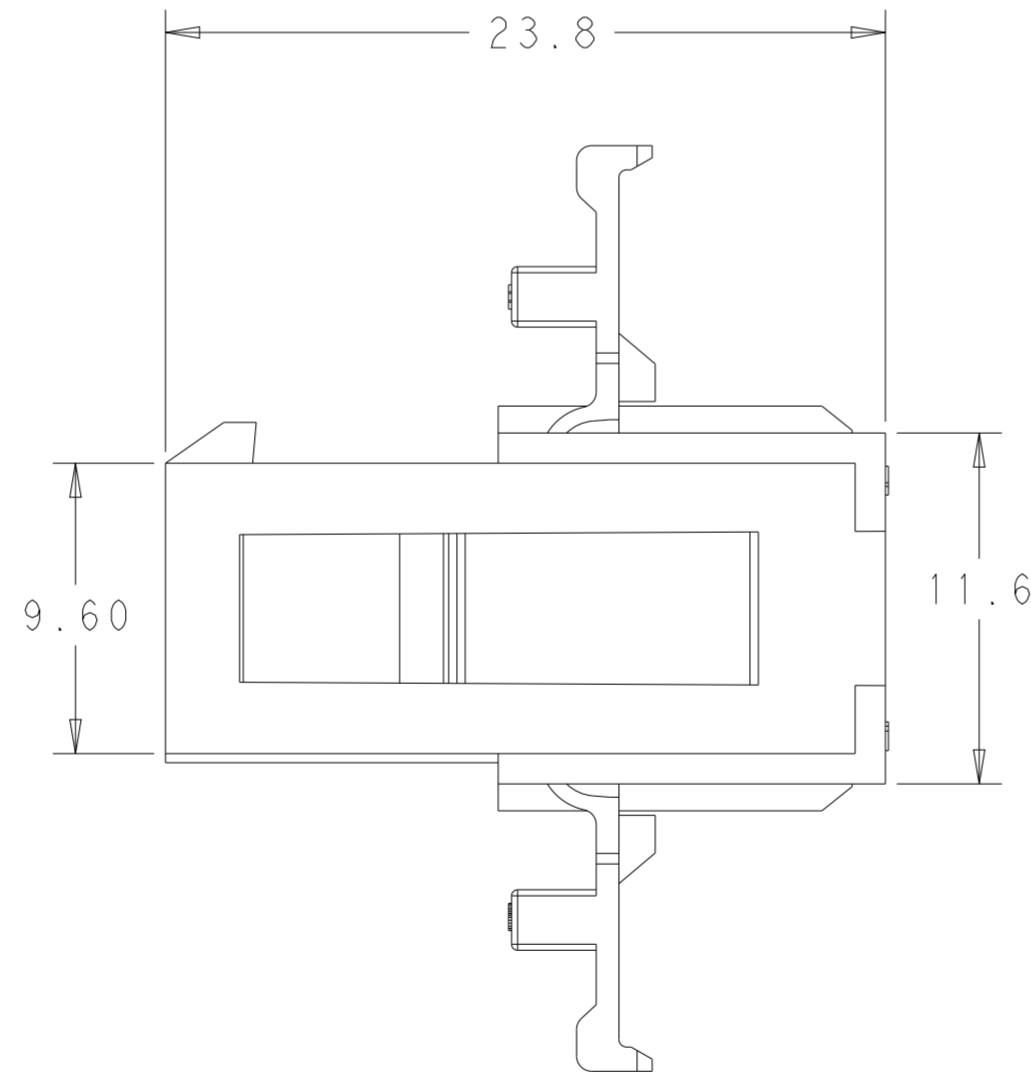
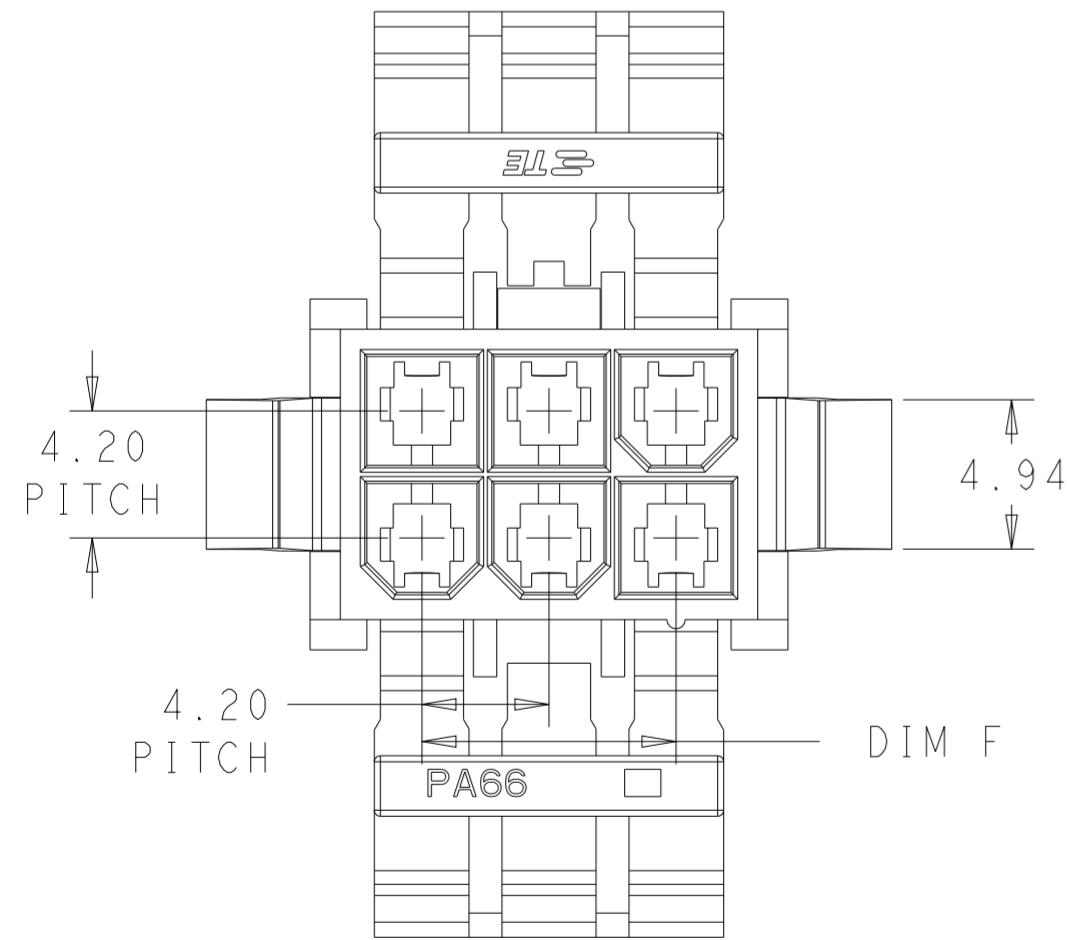


THIS DRAWING IS UNPUBLISHED. RELEASED FOR PUBLICATION 20
 © COPYRIGHT 20 BY - ALL RIGHTS RESERVED.

REVISIONS					
P	LTR	DESCRIPTION	DATE	DWN	APVD
A		REVISED PER ECN-22-174528	19OCT2022	WH	LC



RECOMMENDED CUT-OUT FOR
2.00 MAX THICK PANEL



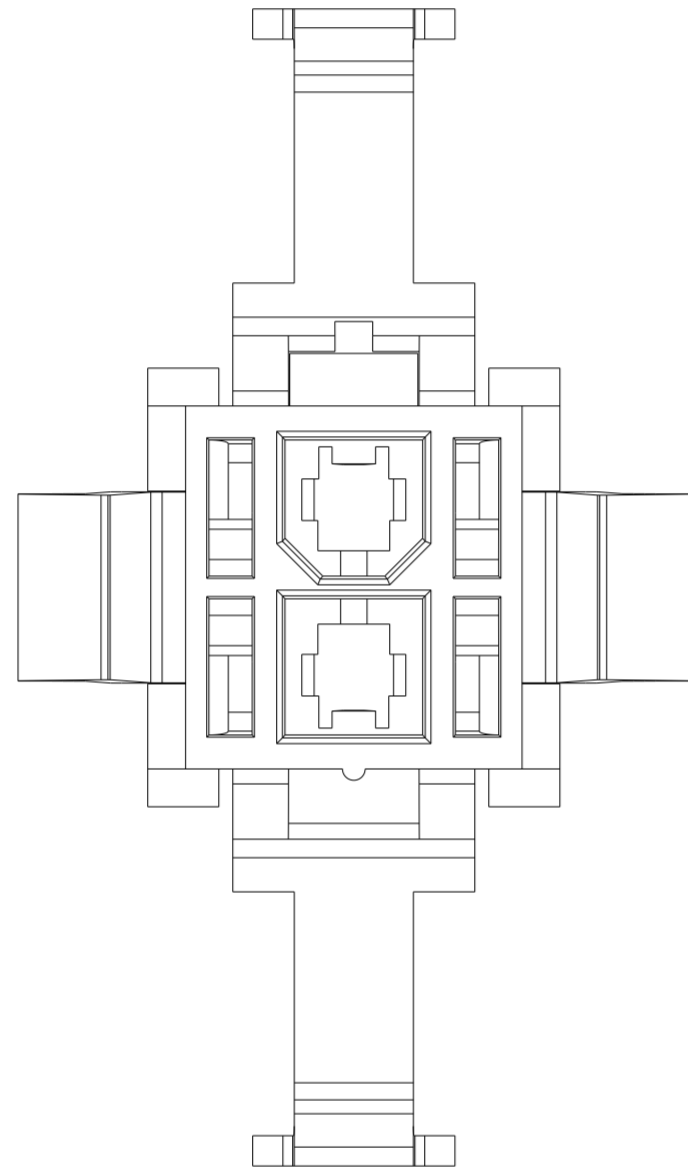
- 1 MATERIAL: PA66, UL94V-0, COLOR: NATURAL
- 2 PANEL MUST BE PUNCHED OUT SO THAT THE HOUSING ENTERS THE PANEL IN THE SAME DIRECTION AS THE PUNCH.
- 3 DIMENSIONS SHOWN REPRESENT PRODUCT IN DRY, AS MOLDED.
- 4 THIS HOUSING ACCEPTS TERMINAL: 2238018-1/2238016-1. MATING RECEPTACLE: 2385532-*
- 5 PACKAGING: LOOSE PIECE
- 6 PER IEC 60335-1 SECT. 30, GWEPT 750°C, NO FLAME or Te-Ti≤2S

19.20	14.20	8.40	13.80	6	2385533-6
15.00	10.00	4.20	9.60	4	2385533-4
14.30	9.30	--	8.90	2	2385533-2
DIM D	DIM C	DIM F	DIM L	NO. OF POS	PART NO.

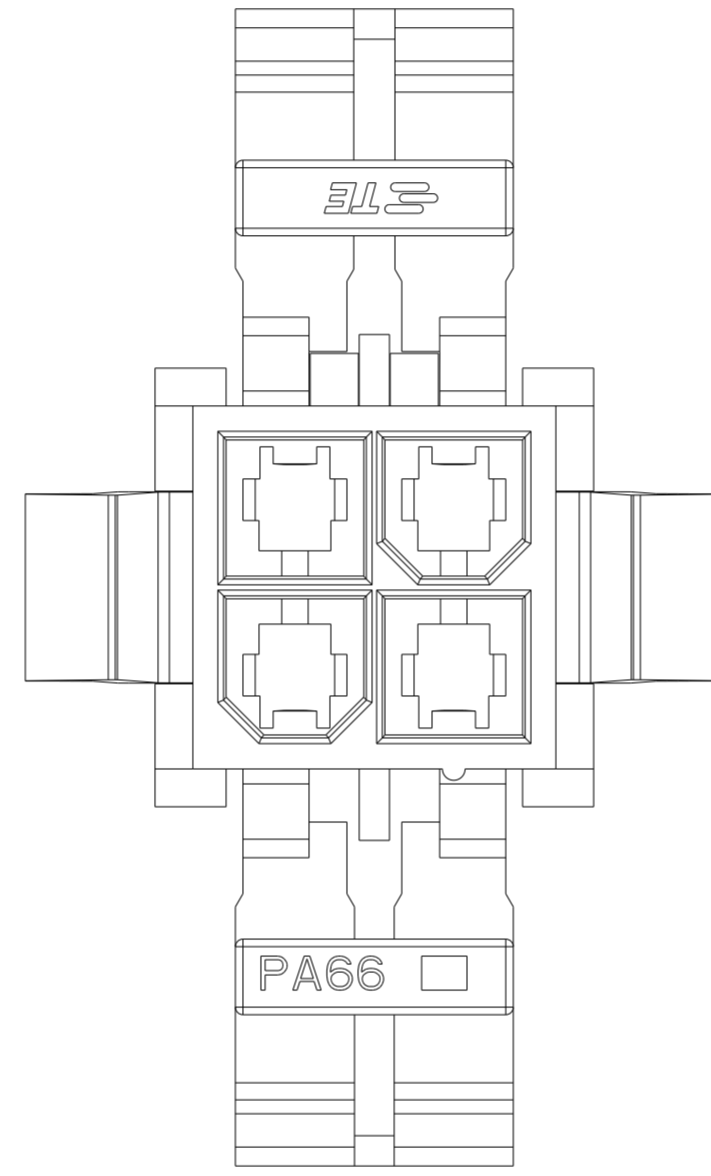
THIS DRAWING IS A CONTROLLED DOCUMENT.		DWN W. HUO	19OCT2022	TE Connectivity	
		CHK L. CHEN	20OCT2022		
		APVD D. ZHANG	21OCT2022		
		NAME			
DIMENSIONS: mm		TOLERANCES UNLESS OTHERWISE SPECIFIED:		PLUG HOUSING, GWT, PANEL MOUNT INTEGRATED TPA DUAL ROW, VAL-U-LOK	
0 PLC ± 1 PLC ±0.35 2 PLC ±0.25 3 PLC ± 4 PLC ± ANGLES ±3° FINISH		PRODUCT SPEC 108-160744 APPLICATION SPEC 114-160449		SIZE CAGE CODE DRAWING NO A200779 C-2385533	
MATERIAL		WEIGHT		RESTRICTED TO	
		CUSTOMER DRAWING		-	
		SCALE N/A		SHEET 1 OF 2 REV A	

THIS DRAWING IS UNPUBLISHED. RELEASED FOR PUBLICATION 20
 © COPYRIGHT 20 BY - ALL RIGHTS RESERVED.

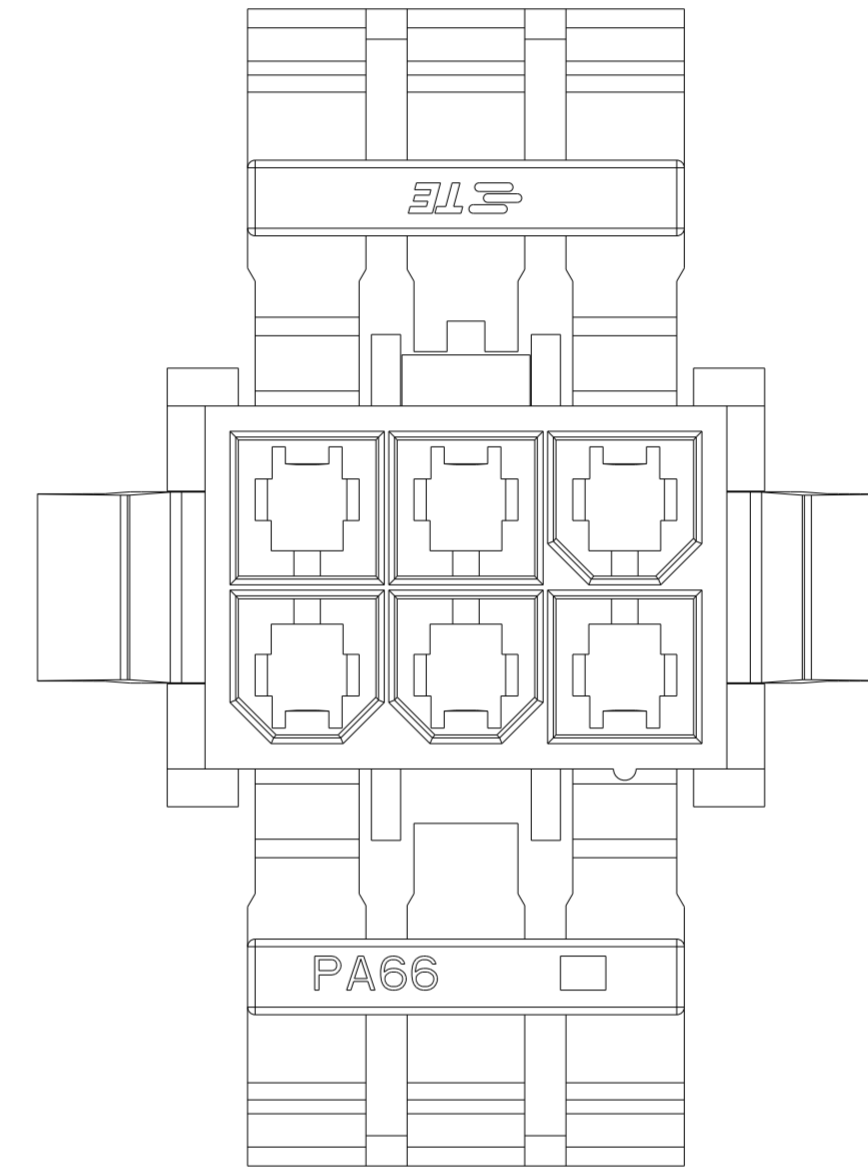
LOC	DIST	REVISIONS			
P	LTR	DESCRIPTION	DATE	DWN	APVD
AF	-	SEE SHEET 1	-	-	-




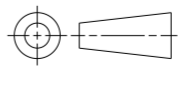
2P



4P



6P

THIS DRAWING IS A CONTROLLED DOCUMENT.		DWN W. HUO	19OCT2022	 TE Connectivity
DIMENSIONS: mm		CHK L. CHEN	20OCT2022	
	TOLERANCES UNLESS OTHERWISE SPECIFIED:	APVD D. ZHANG	21OCT2022	NAME PLUG HOUSING, GWT, PANEL MOUNT INTEGRATED TPA DUAL ROW, VAL-U-LOK
	0 PLC ± 1 PLC ±0.35 2 PLC ±0.25 3 PLC ± 4 PLC ±	FINISH	PRODUCT SPEC 108-160744	
MATERIAL		WEIGHT	-	RESTRICTED TO -
CUSTOMER DRAWING		SCALE	N/A	SHEET 2 OF 2
				REV A

X-ON Electronics

Largest Supplier of Electrical and Electronic Components

Click to view similar products for [Rectangular MIL Spec Connectors](#) category:

Click to view products by [TE Connectivity](#) manufacturer:

Other Similar products are found below :

[891-011-15SA2-BSST](#) [M32139/03-B06ST](#) [65002-062](#) [M85049/28-1](#) [M85049/28-2](#) [77058-22-55PN](#) [86.030.0053.0](#) [GMCT26M0E100JC](#)
[BACC65CAMA](#) [890-009-31SA2-BRT1T](#) [27963-20T12](#) [SIM2N40NC3](#) [SIM2S100A](#) [1604996-2](#) [SMD25PN90L-4055](#) [22628-10-6P-791](#)
[GMCT66F0T0000](#) [CTD160E01F-6148](#) [CTJ-3D-12](#) [CTJ920E06N-513](#) [CTL-16-090](#) [CY4600-000](#) [CY4601-000](#) [38111-14-15SN](#)
[TMN2N037PC2DM018S](#) [TMN2N051SC2DM018T](#) [MMD25-0071P1](#) [33526M11-08PC](#) [33526M11-08PE](#) [3355-5869-000](#) [DMC-M99-01AN](#)
[ZPF000000000106310](#) [105979-31](#) [SIM2N40NC1](#) [SIM2N40NC2](#) [SIME2022PNR](#) [TMN2N009SC2DM018T](#) [ZPF000000000015295](#)
[ZPF000000000134011](#) [ZPF000000000106308](#) [ZPF000000000102759](#) [CTG-20-08-513](#) [5634-201-03158](#) [5634-202-03758](#) [MMH43-0051J1](#)
[MMH43-0091J1](#) [MMB41-0071K1](#) [EN4165A20-221BA](#) [EI-1470-2400](#) [507-002CH](#)