

REVISIONS

P	LTR	DESCRIPTION	DATE	DWN	APVD
1		INITIAL	15APR2021	RM	SZ

NOTES :

1.MATERIAL

HOUSING :HIGH TEMPERATURE THERMAL PLASTIC,BLACK,UL94-V0

CONTACT :COPPER ALLOY

SHELL :STAINLESS STEEL

MIDDLE PLATE:STAINLESS STEEL

2.PLATING

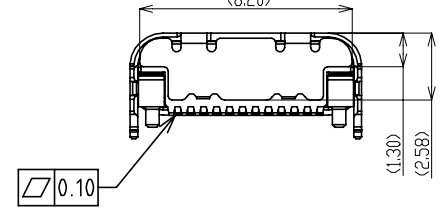
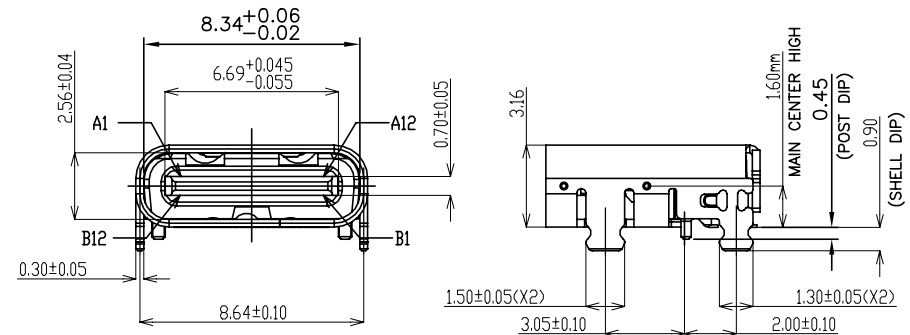
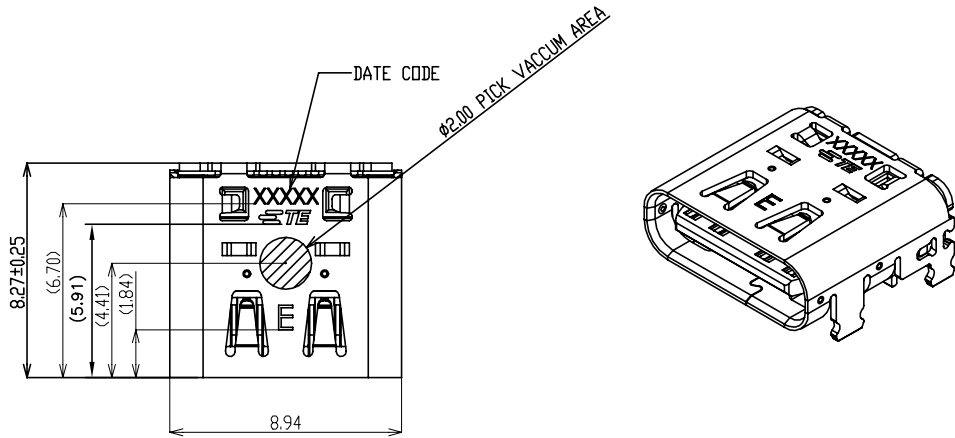
CONTACT:0.00076mm [30u"] MIN. GOLD PLATING ON CONTACT AREA.  
0.00254mm [100u"] MIN. MATTE TIN PLATING ON SOLDER TAILS,  
UNDERPLATED 0.00127mm [50u"] MIN. NICKEL OVERALL.

SHELL: 0.00127mm [50u"] MIN. SOLDERING NICKEL UNDERPLATED OVERALL.

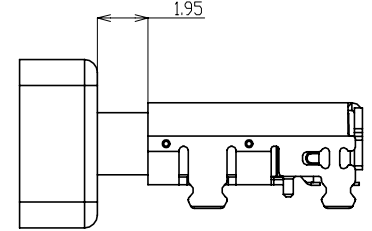
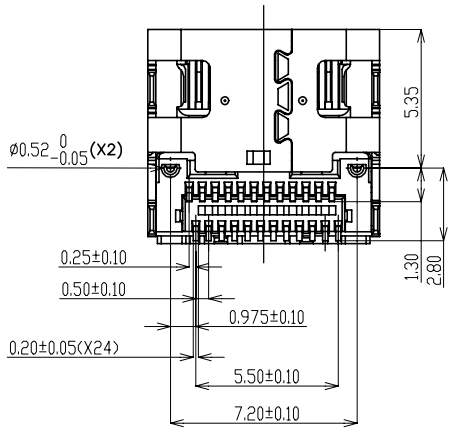
MIDDLE PLATE: PLATING CLEANING.

3.COPLANARITY OF SMT PINS AND SOLDER TAILS:  
0.10MAX BEFORE REFLOW,0.12MAX. AFTER REFLOW

4.DATE CODE: YYWW (YY: YEAR, WW: WEEK, D: DAY)  
(8.20)



THIS PRINT IS  
**PRELIMINARY**  
UNQUALIFIED PRODUCT  
DESIGN IS SUBJECT TO  
CHANGE WITHOUT NOTICE



PIN NO.	A1	A2	A3	A4	A5	A6	A7	A8	A9	A10	A11	A12
SIGNAL NAME	GND	SSTXp1	SSTXn1	VBUS	CC1	Dp1	Dn1	SBU1	VBUS	SSRXn2	SSRXp2	GND
PIN NO.	B12	B11	B10	B9	B8	B7	B6	B5	B4	B3	B2	B1
SIGNAL NAME	GND	SSRXp1	SSRXn1	VBUS	SBU2	Dn2	Dp2	CC2	VBUS	SSTXn2	SSTXp2	GND

2385692-1  
P/N

THIS DRAWING IS A CONTROLLED DOCUMENT.

DWN	RICHARD MA	15APR2021
CHK	RICHARD MA	15APR2021
APVD	SUNY ZHAO	15APR2021
PRODUCT SPEC	108-160251	
APPLICATION SPEC		
WEIGHT	-	
CUSTOMER DRAWING		

TE Connectivity

USB 4.0 RECEPTACLE  
TOP MOUNT, 24 POS, CH=1.60

SIZE	CAGE CODE	DRAWING NO	RESTRICTED TO
A3	00779	C=2385692	-

SCALE 1:1 SHEET 1 of 3 REV 1

4

3

2

1

© 2021 TE Connectivity. All Rights Reserved.

REVISIONS

P	LTR	DESCRIPTION	DATE	DWN	APVD
-	-	SEE SHEET 1	-	-	-

RECOMMENDED PCB LAYOUT  
THICKNESS IS 0.80mm  
TOLERANCE : ± 0.05mm

THIS PRINT IS  
**PRELIMINARY**

UNQUALIFIED PRODUCT  
DESIGN IS SUBJECT TO  
CHANGE WITHOUT NOTICE

THIS DRAWING IS A CONTROLLED DOCUMENT.		DWN RICHARD MA 15APR2021	TE Connectivity NAME USB 4.0 RECEPTACLE TOP MOUNT, 24 POS, CH=1.60	
		CHK RICHARD MA 15APR2021		
		APVD SUNY ZHAO 15APR2021		
		PRODUCT SPEC 108-160251		
DIMENSIONS: mm		TOLERANCES UNLESS OTHERWISE SPECIFIED:		APPLICATION SPEC -
		0 PLC ± 0.38 1 PLC ± 0.25 2 PLC ± 0.13 3 PLC ± 0.05 4 PLC ± - ANGLES ± -		RESTRICTED TO -
MATERIAL -		FINISH -		WEIGHT -
		CUSTOMER DRAWING		SCALE 1:1
		A3 00779 C=2385692		SHEET 2 OF 3
				REV 1

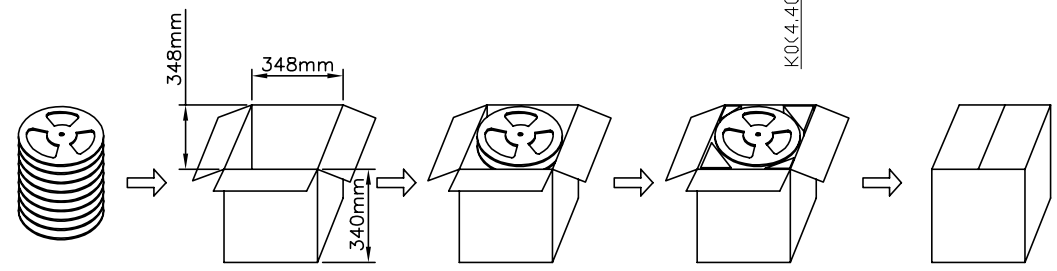
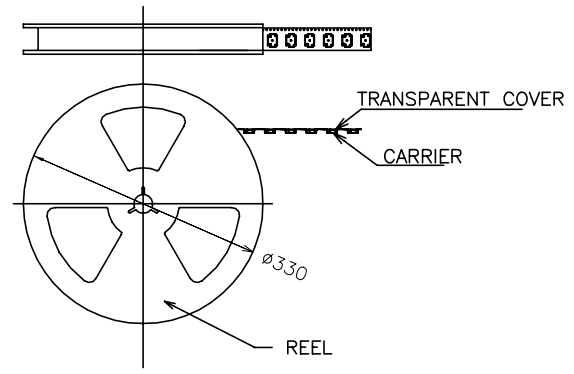
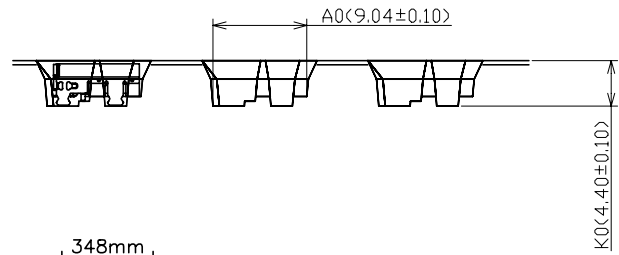
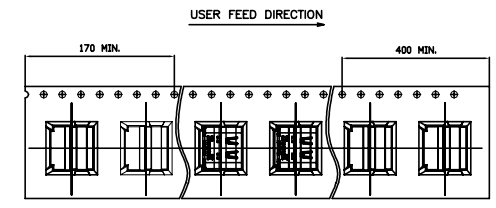
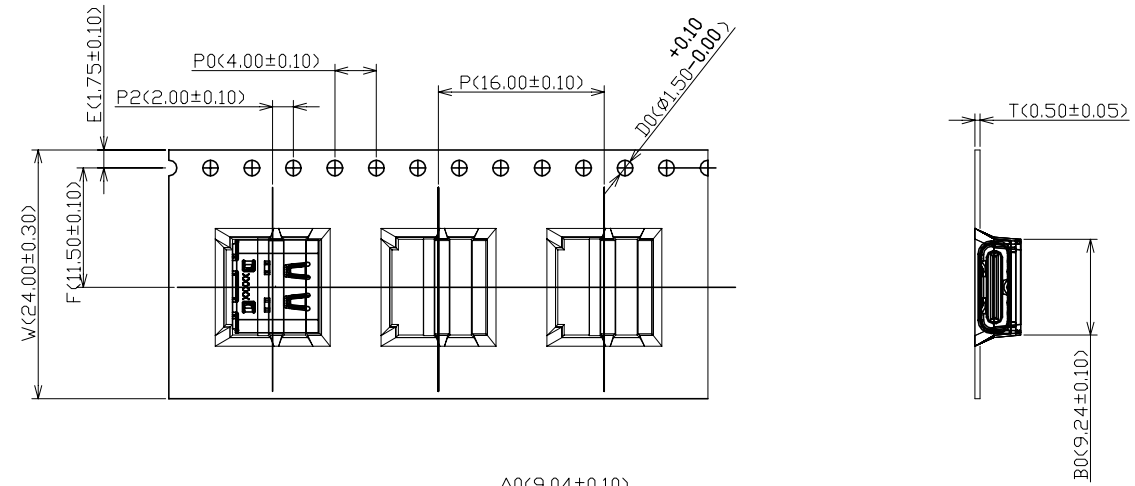
1470-19 (1/15)

REVISIONS

P	LTR	DESCRIPTION	DATE	DWN	APVD
-	-	SEE SHEET 1	-	-	-

NOTES:

1. USED ON USB TYPE C CONNECTOR PRODUCTS.
2. PACKAGE:800PCS/REEL, 10REELS/BOX
3. MATERIAL:TRANSPARENT CONDUCTIVE POLYSTRENE ALLOY
4. APPLICABLE DOCUMENTS:EIA-481-D
5. AFTER UNREELING DIRECTION MUST HAVE 11 PCS BLANK.(170mm Min)
6. BEFORE UNREELING DIRECTION MUST HAVE 25 PCS BLANK.(400mm Min)



PACKAGING PROCESS

THIS PRINT IS  
**PRELIMINARY**  
UNQUALIFIED PRODUCT  
DESIGN IS SUBJECT TO  
CHANGE WITHOUT NOTICE

THIS DRAWING IS A CONTROLLED DOCUMENT.		DWN RICHARD MA 15APR2021	<b>STE</b> TE Connectivity	
		CHK RICHARD MA 15APR2021		
DIMENSIONS: mm		APVD SUNY ZHAO 15APR2021	NAME	
TOLERANCES UNLESS OTHERWISE SPECIFIED:		PRODUCT SPEC	USB 4.0 RECEPTACLE	
0 PLC ± 0.38		108-160251	TOP MOUNT, 24 POS, CH=1.60	
1 PLC ± 0.25		APPLICATION SPEC		
2 PLC ± 0.13		WEIGHT -	SIZE A3	CAGE CODE 00779
3 PLC ± 0.05		CUSTOMER DRAWING	DRAWING NO C=2385692	
4 PLC ± -			RESTRICTED TO -	
ANGLES ± -			SCALE 1:1	SHEET 3 of 3
MATERIAL -			REV 1	

## X-ON Electronics

Largest Supplier of Electrical and Electronic Components

*Click to view similar products for [USB Connectors](#) category:*

*Click to view products by [TE Connectivity](#) manufacturer:*

Other Similar products are found below :

[65-647-8-BK-BU](#) [950](#) [952](#) [E8144-B01021-L](#) [A-USB B-TOP-C](#) [MUSBA511N5](#) [MUSBD11135](#) [217450-1](#) [KMBVX-TH-5S-B30](#) [896-30-004-00-000000](#) [KUSBVX-BS1N-W30](#) [KUSBX-AP-KIT-SCBLK](#) [KUSBX-AS2N-W](#) [KUSBX-SMT2AP1S-W](#) [KUSBX-SMT2AP1S-W30](#) [935](#) [957](#) [30-498-6](#) [17-210051](#) [1734082-1](#) [30-1574](#) [30-470](#) [30-489](#) [30-541](#) [30-572-3](#) [A-USB A-2P-C](#) [MIKROE-1451](#) [USBFTV2PEM2G](#) [USBFTVC6ZN](#) [KUSBX-AS2N-W30](#) [KUSBX-SLAS1N-W](#) [KUSBX-SMT-AS1N-W30](#) [4689-1](#) [1-1734084-2](#) [E8110-001-01](#) [33UBARS1-04SW11](#) [33UBAR-04SW11](#) [USBF21ZNSCC](#) [USBBFTV6ZC](#) [10135326-001LF](#) [USB-A-S-F-B-VT](#) [925](#) [4198](#) [690-024-633-031](#) [KUSBEX-BSFS1N-W](#) [USBFTVC6MRG](#) [UA-20BMFA-SL8001](#) [17-250101](#) [USBFTVC7ZC](#) [USBFTV75NF459](#)