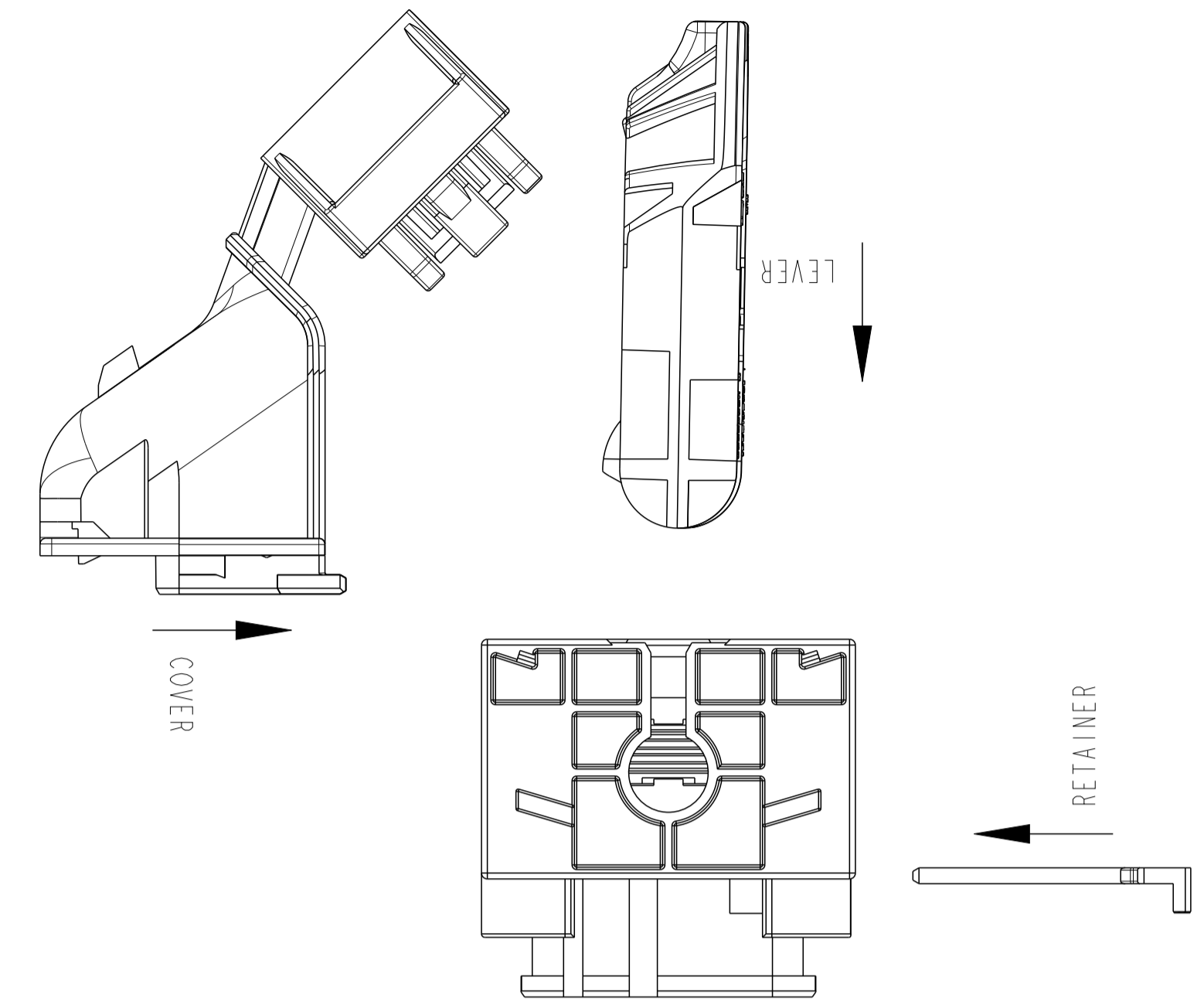
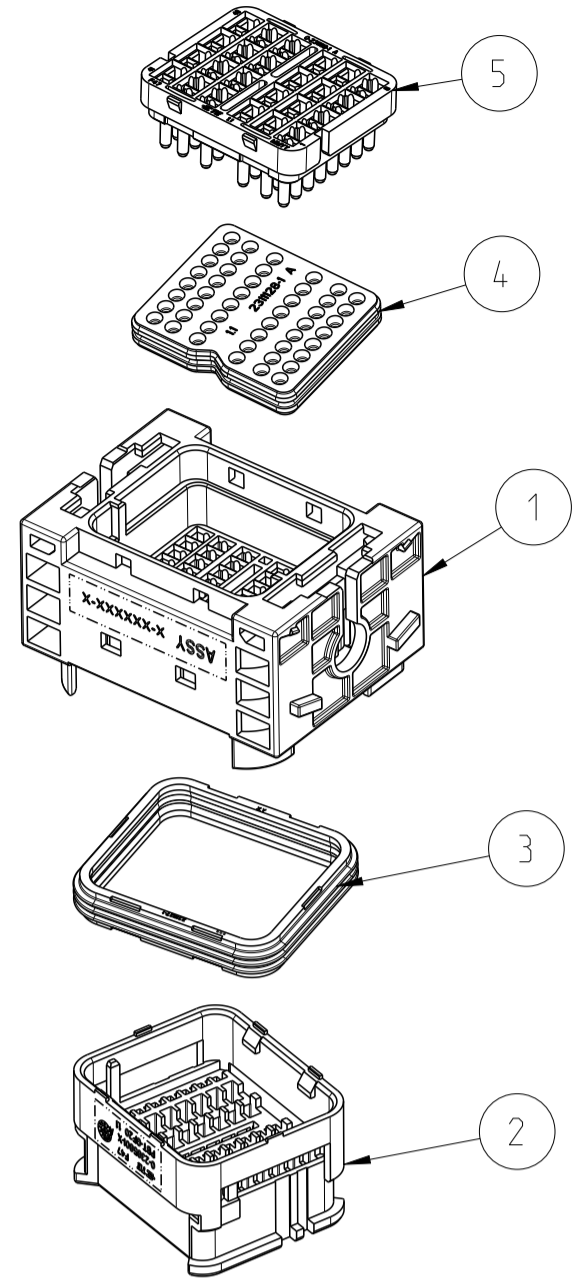
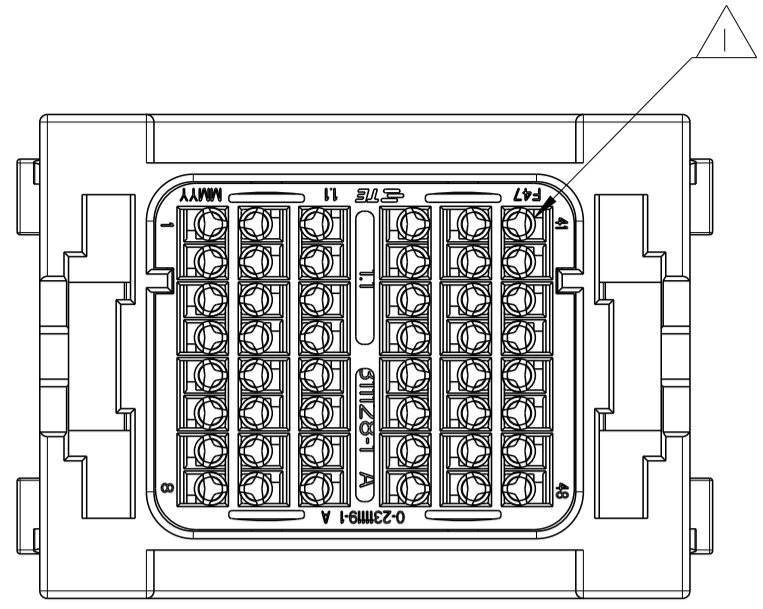
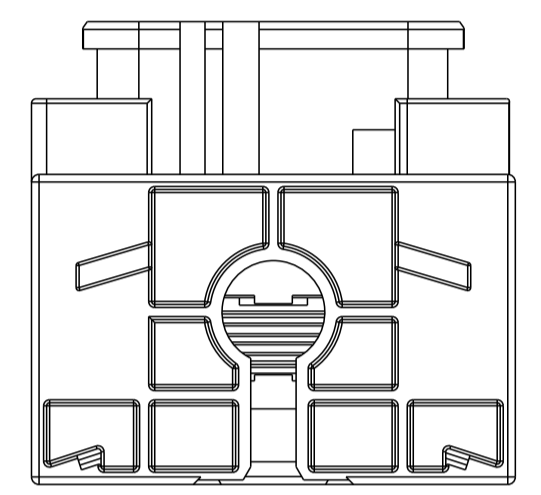
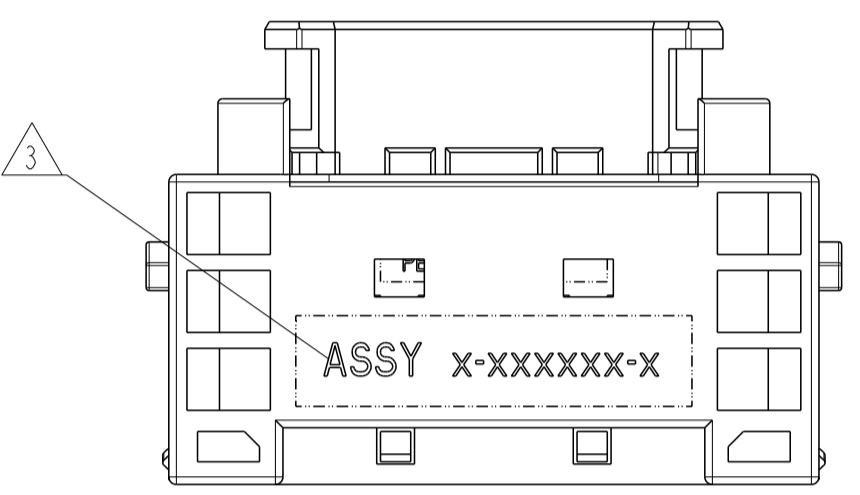


| REVISIONS | | | | |
|-----------|-----|---------------|-----------|----------|
| P. | LTN | DESCRIPTION | DATE | APVD |
| A | | FIRST RELEASE | 02APR2022 | O.H. J.Z |
| A1 | | ECN-22-183970 | 1NOV2022 | O.H. J.Z |



NOTES

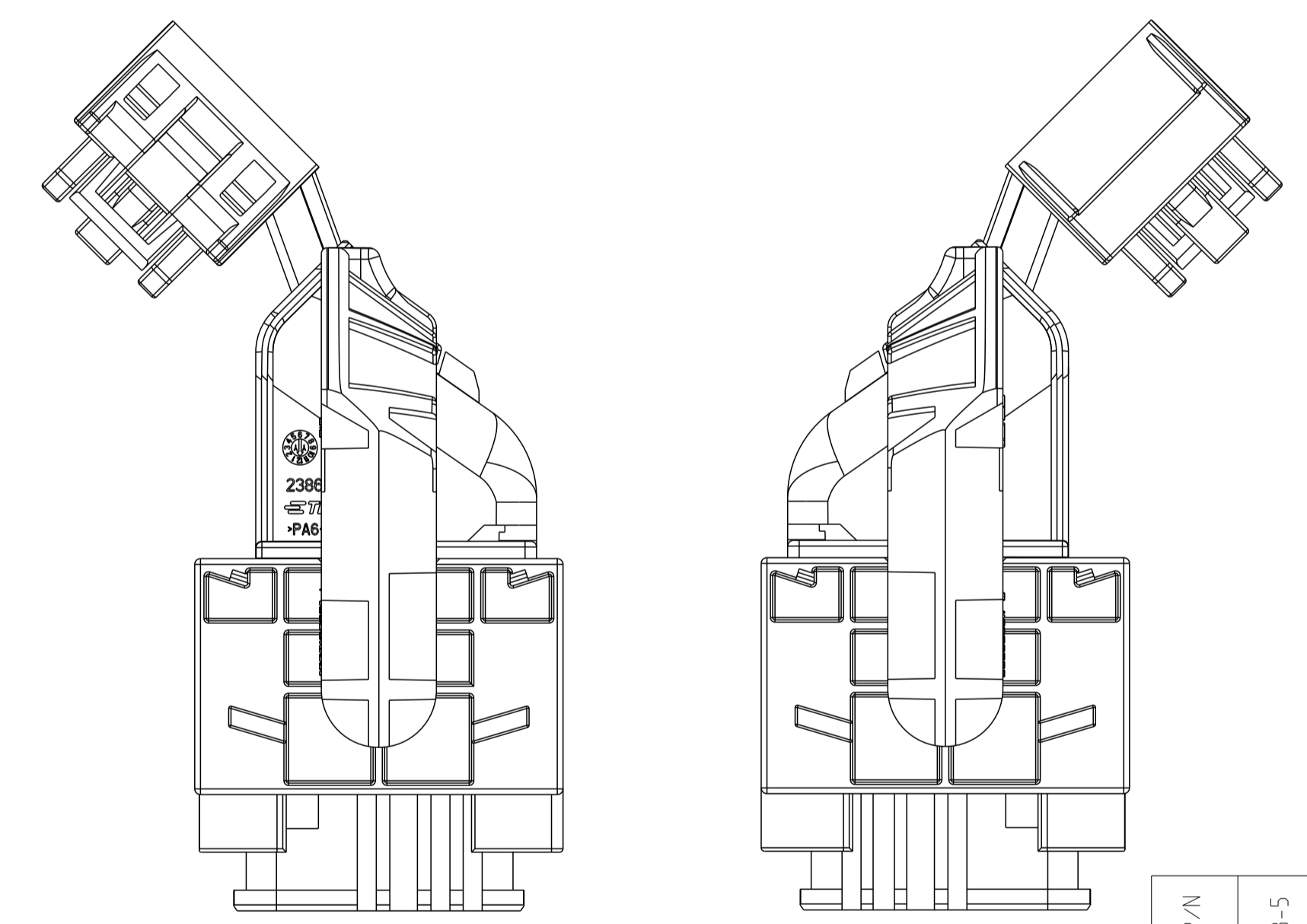
- 1 SUITABLE CONTACT
 MCON1.2 1534594 0.35mm², INSULATION SIZE $\varnothing 1.2\text{mm}-\varnothing 1.75\text{mm}$
 1670144 0.5-0.75mm², INSULATION SIZE $\varnothing 1.4\text{mm}-\varnothing 1.9\text{mm}$
- 2 ORDER FOR SERIAL DEMAND
 HOUSING AND OTHER PARTS SHOULD BE ORDERED SEPARATELY
 DETAIL SEE TABLE ORDER PART NO.
- 3 CORRESPONDING CUSTOMER'S PART NUMBER.
- 4 PACKAGE: IN BOX
- 5 SUITABLE CORRUGATED TUBE SCHLEMMER PA6 V0 UNSLIT, NW17
 OR THE TUBE WITH SAME DIMENSIONS
- 6 USED WITH RETAINER 2386229-1
 LEVER 2386230-1
 COVER 2386231-1



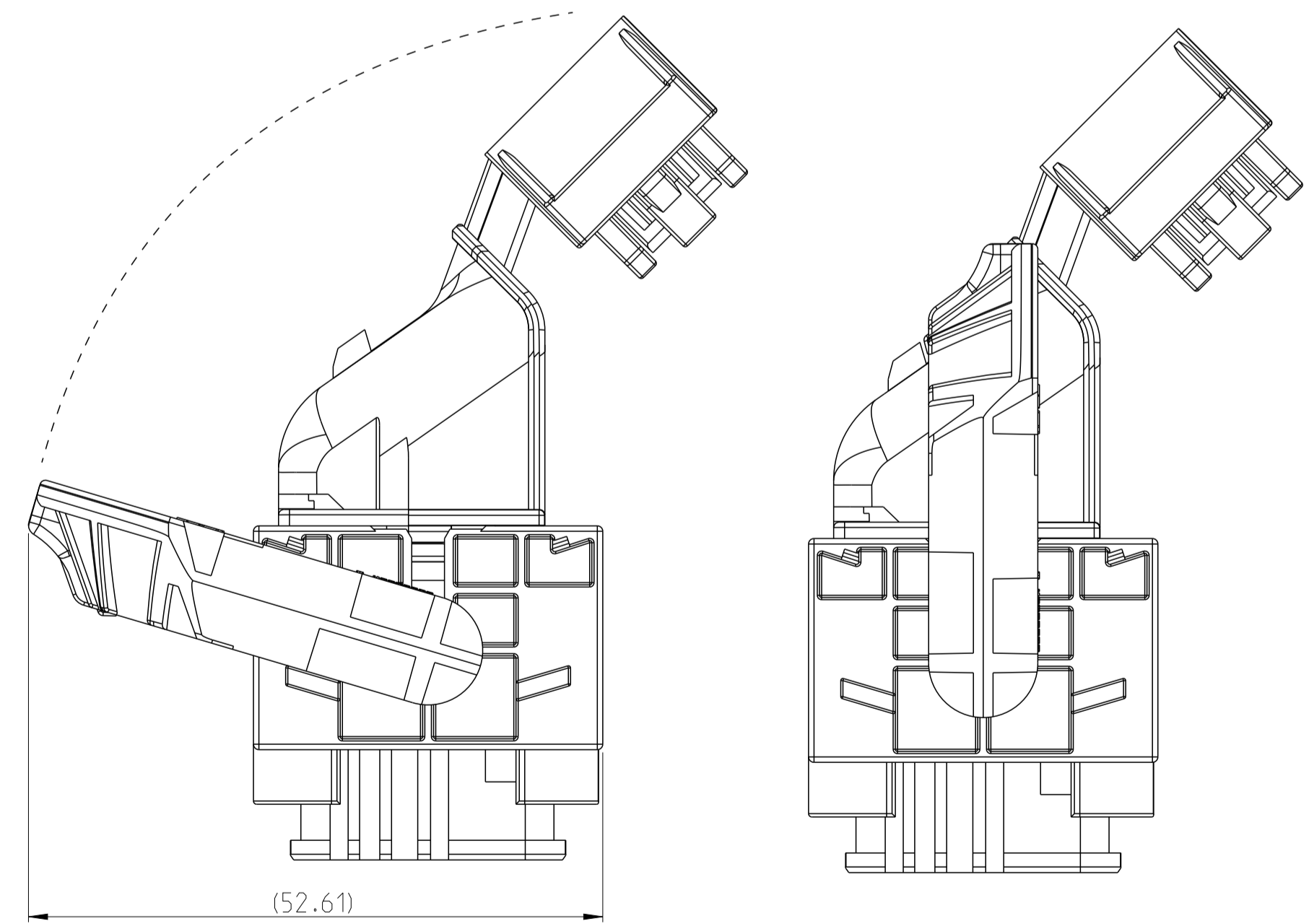
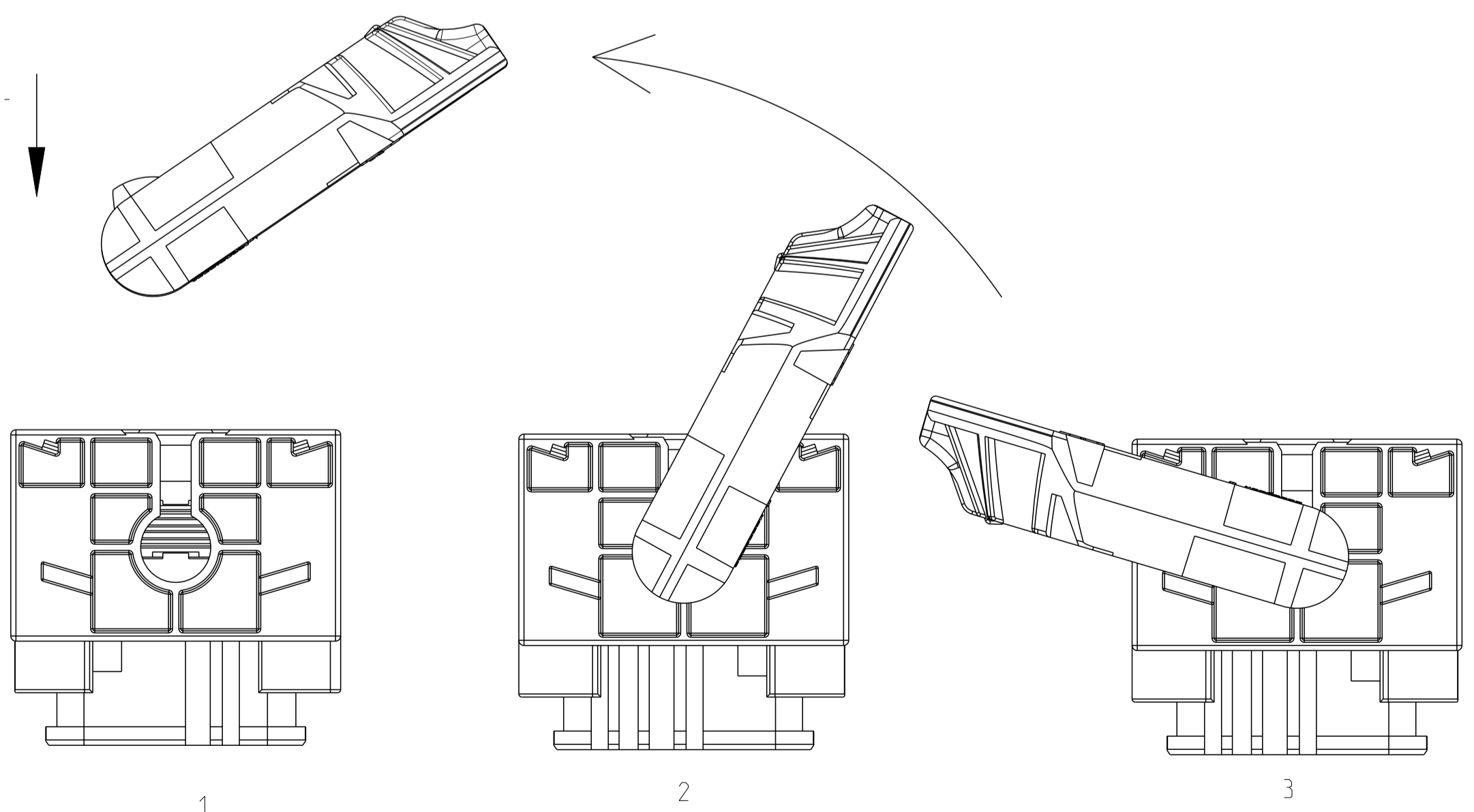
2385803-5 AS SHOWN

LEVER, COVER AND RETAINER ASSEMBLING.
 DETAIL REFER TO APPLICATION SPECIFICATION.

BOTH CABLE EXIT DIRECTION ARE POSSIBLE



LEVER ASSY



LEVER IN PRE-LOCK POSITION

LEVER IN LOCKING POSITION

| NO. | COLOR | MATERIAL | DESCRIPTION | QTY. |
|-----|--------|----------|--------------|------|
| 5 | BLACK | PBT-GF20 | SEAL COVER | 1 |
| 4 | BLUE | SILICONE | FAMILY SEAL | 1 |
| 3 | WHITE | MVQ | RADIAL SEAL | 1 |
| 2 | NATURE | PBT-GF20 | CAVITY BLOCK | 1 |
| 1 | BLACK | PBT-GF20 | HOUSING | 1 |

THIS DRAWING IS A CONTROLLED DOCUMENT. DWN: O.HAN 26MAY2021
 CHK: S.FAN 26MAY2021
 APVD: J.ZONG 26MAY2021

DIMENSIONS: mm TOLERANCES UNLESS OTHERWISE SPECIFIED

| | | |
|---|-----|-------|
| 0 | PLC | ±0.15 |
| 1 | PLC | ±0.25 |
| 2 | PLC | ±0.30 |
| 3 | PLC | ±0.40 |
| 4 | PLC | ±0.50 |

ANGLES FINISH SEE TABLE

MATERIAL SEE TABLE

WEIGHT: 116-1010B5

CUSTOMER DRAWING

NAME: 48POS., MCON1.2 CB. REC. HSG., ASSY SEALED

SIZE: A1 CAGE CODE: 0771 DRAWING NO: 2385803

RESTRICTED TO: -

SCALE: 1:1 SHEET: 1 OF 1 REV: A1

X-ON Electronics

Largest Supplier of Electrical and Electronic Components

Click to view similar products for [Automotive Connectors](#) category:

Click to view products by [TE Connectivity](#) manufacturer:

Other Similar products are found below :

[003-018-000](#) [60993906-B](#) [72.330.1035.1](#) [776880-1](#) [827153-1](#) [9-1326729-8](#) [9-221607-5](#) [925474-1](#) [928905-1](#) [964562-4](#) [968782-1](#) [12004468](#)
[12004475-L](#) [12004483](#) [12052466](#) [12066163](#) [12015909](#) [12077753](#) [1-21030-1](#) [12047957](#) [12047958](#) [12084688](#) [12185550](#) [12336-12](#) [1-](#)
[326211-1](#) [13681974](#) [13688972](#) [13755420](#) [13779834](#) [13783086](#) [13843152](#) [13522378](#) [13581967](#) [13669624](#) [13675513](#) [13753471](#) [13946876](#)
[13953457](#) [13955963](#) [13964573](#) [13971791](#) [13790534-L](#) [13797473](#) [13805590](#) [13888202](#) [1428188-1](#) [1437287-3](#) [1428188-2](#) [DS07-19S-5020](#)
[1456983-5](#)