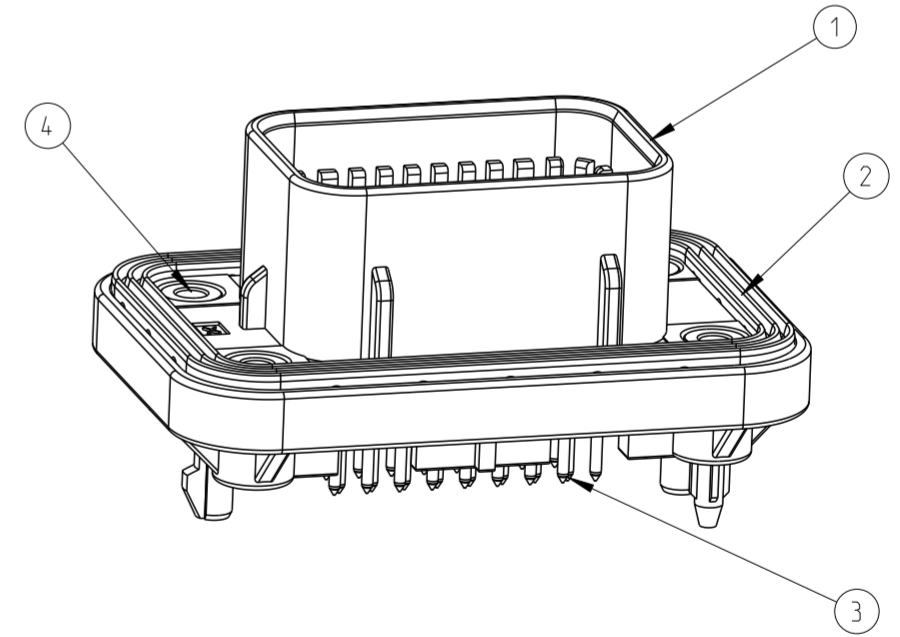
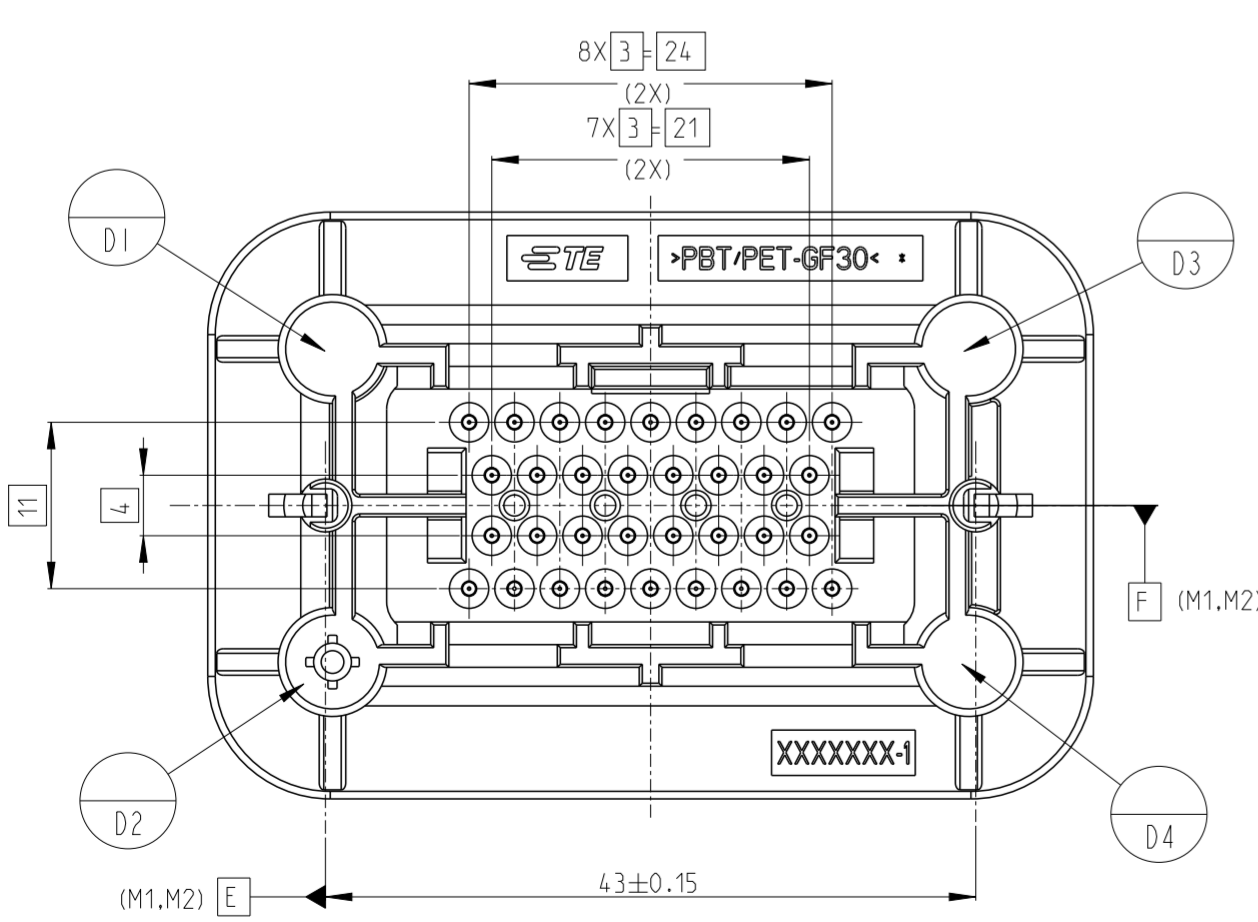
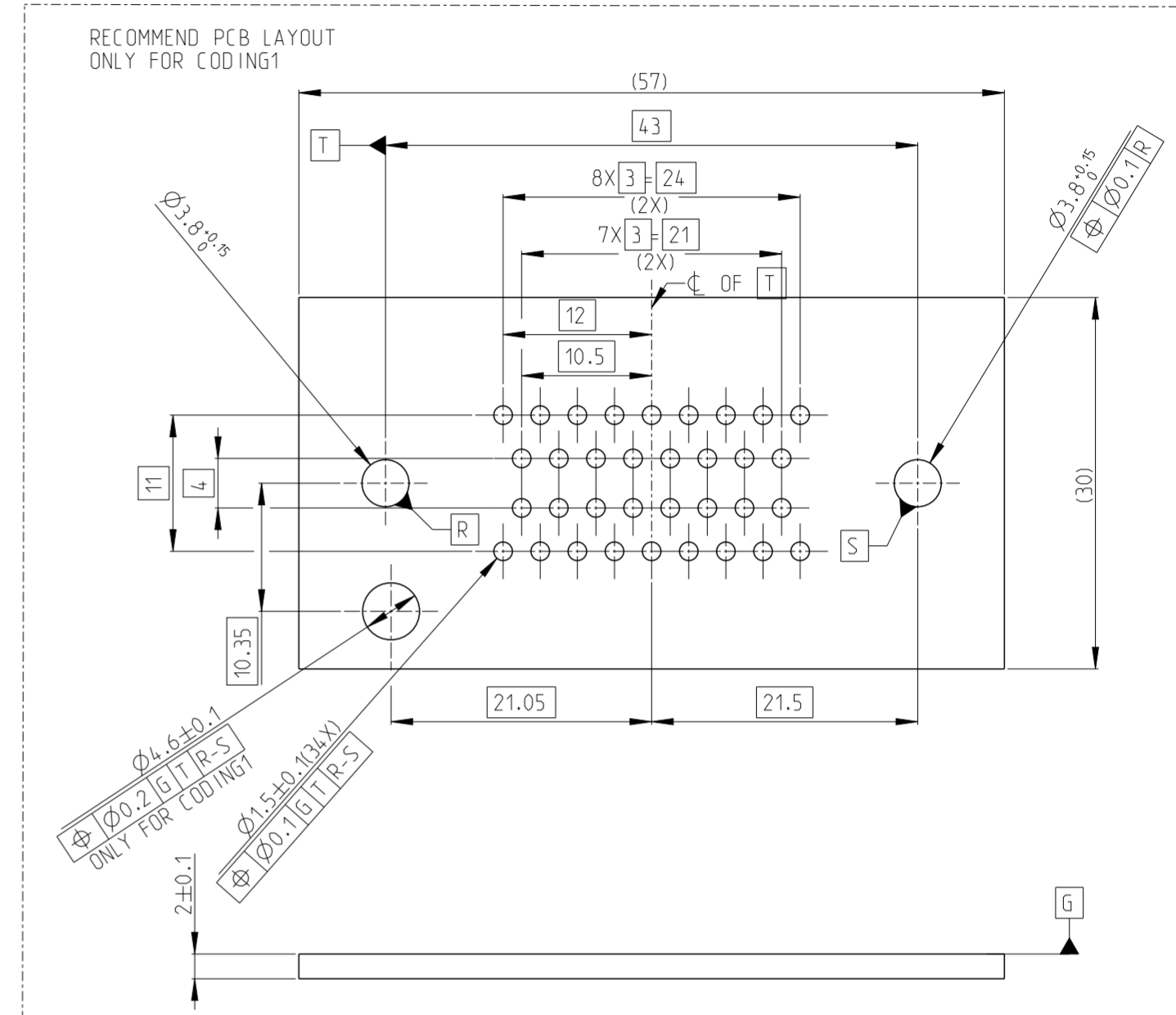


REVISIONS					
P	LTR	DESCRIPTION	DATE	DWN	APVD
A		INITIAL RELEASE	19MAR2021	J.W	E.J
A1		ECN-22-164503	14 JUL 2022	J.G	Z.Z



QTY	DESCRIPTION	MATERIAL	ITEM
4	34P BUSHING (M3)	C3604	4
34	34P PIN	Au/Ni/Sn COPPER ALLOY	3
1	34P SEAL	RED SILICON	2
1	34P HOUSING UPPER LOCK CODING2	BLACK PBT/PET	1
1	34P HOUSING UPPER LOCK CODING1		

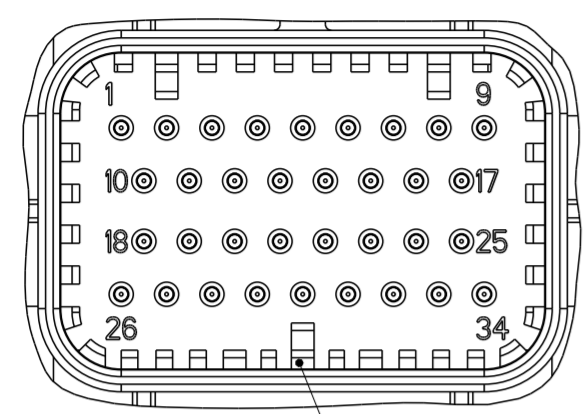
THIS DRAWING IS A CONTROLLED DOCUMENT.

DIMENSIONS: mm	TOLERANCES UNLESS OTHERWISE SPECIFIED:	DWN J.WANG 19MAR2021	 TE Connectivity <b>SUPERSEAL 34P HEADER 180 DEGREE</b>
		CHK R.CHEN 19MAR2021	
		APVD F.JIANG 19MAR2021	
		PRODUCT SPEC 108-78140	
MATERIAL	FINISH	APPLIC. SPEC	RESTRICTED TO
		WEIGHT	SIZE CAGE CODE DRAWING NO
		CUSTOMER DRAWING	A2 100779 C-2388688
		SCALE	2:1 SHEET 1 OF 2 REV A1

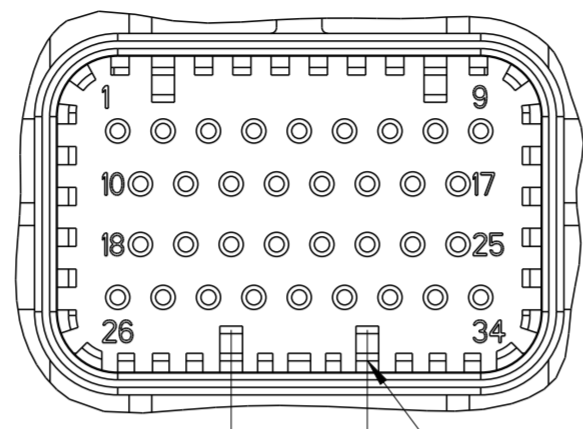
CODING1  
UPPER CLOK  
PART NUMBER:2388688-1

CODING2  
UPPER CLOK  
PART NUMBER:2388688-2

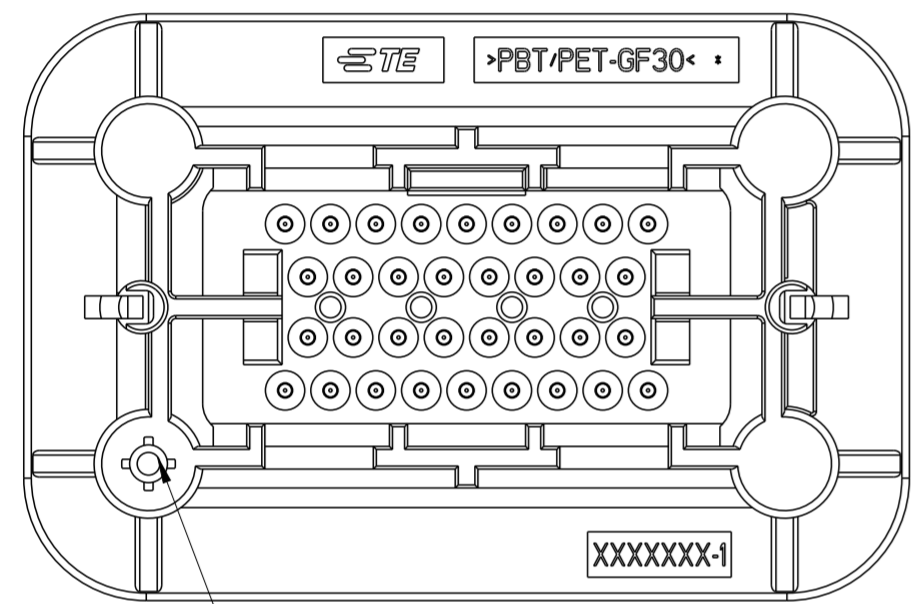
REVISIONS					
P	LTR	DESCRIPTION	DATE	DWN	APVD
		SEE SHEET 1	SEE SHEET 1		



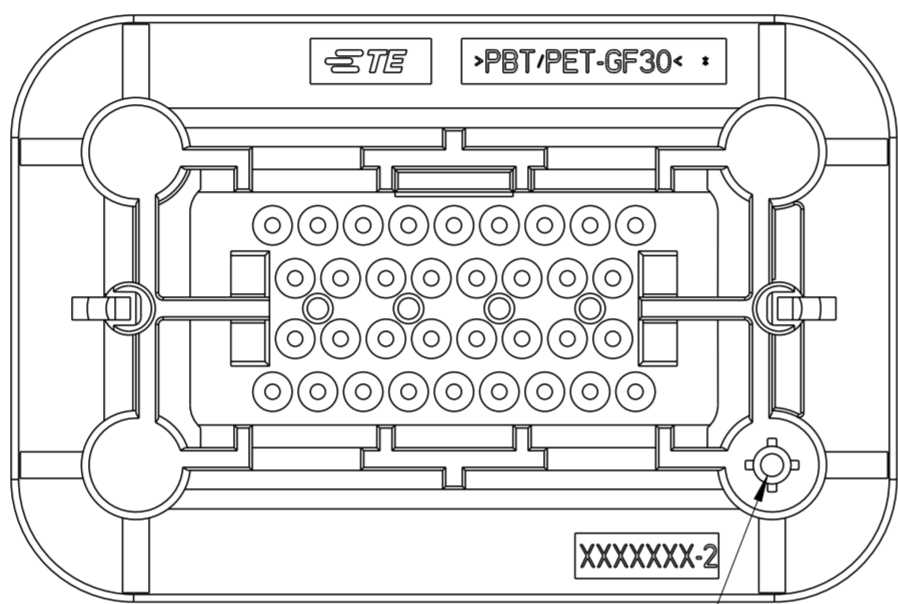
MATING SIDE CODING1



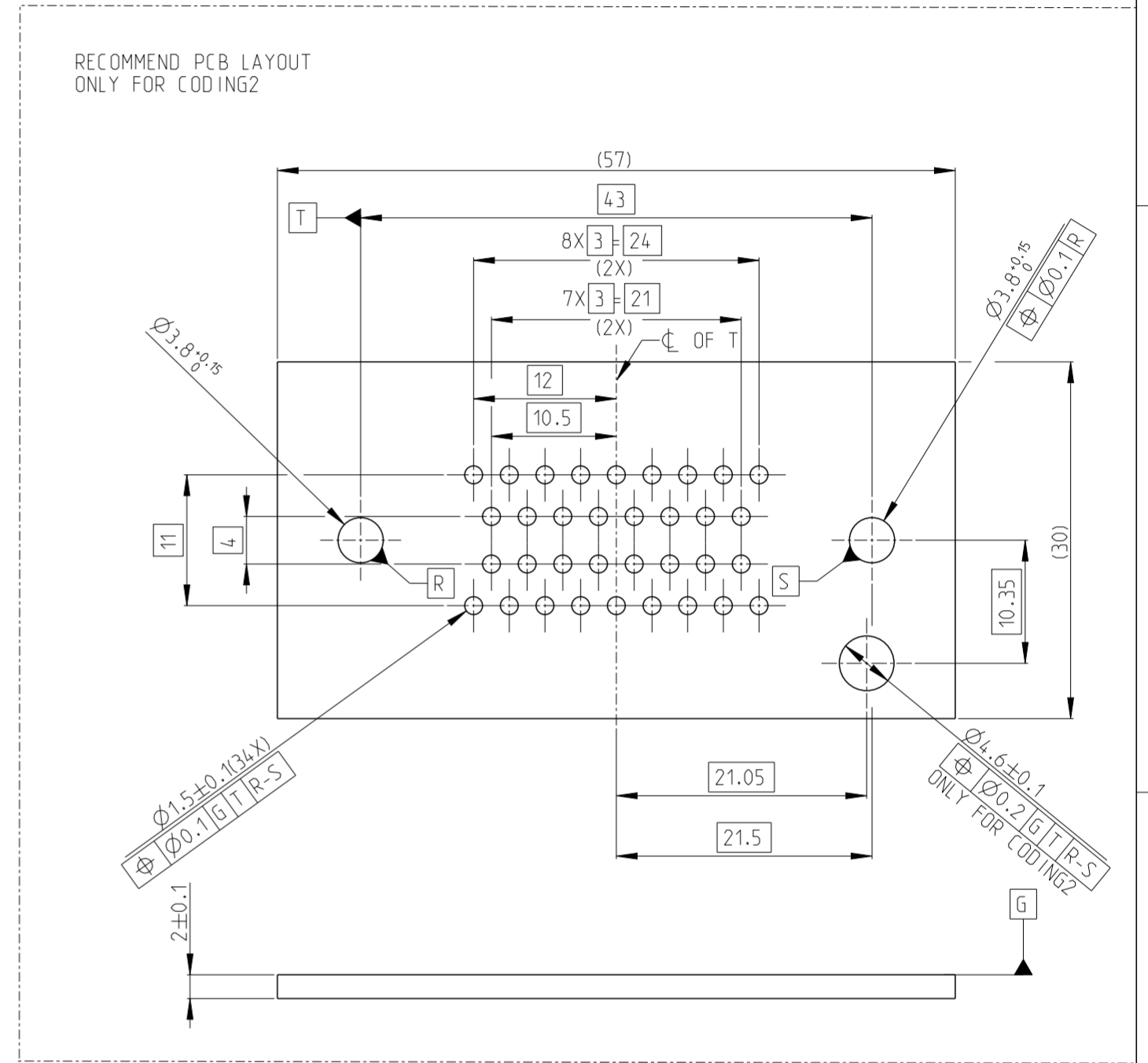
MATING SIDE CODING2



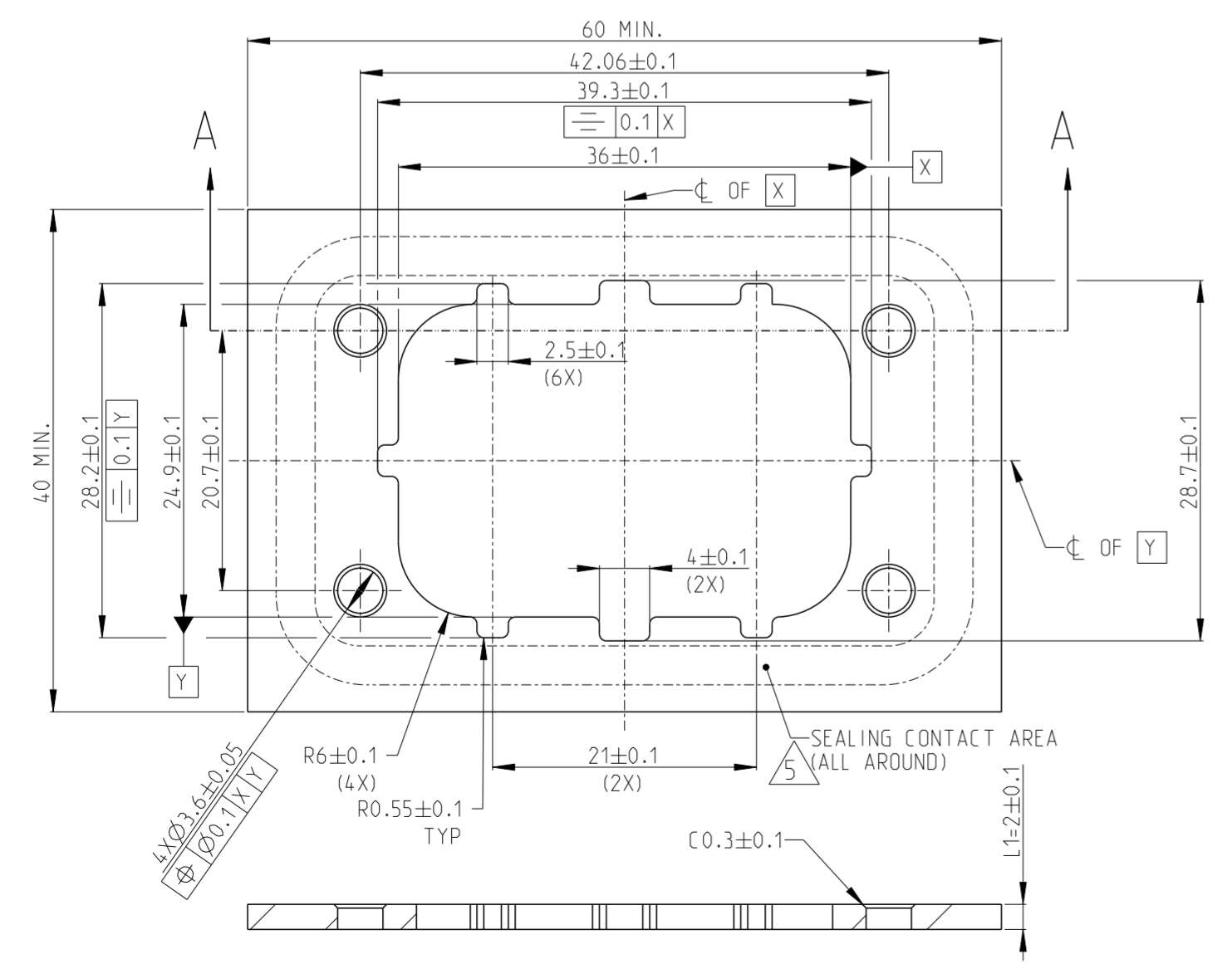
PCB SIDE CODING1



PCB SIDE CODING2



RECOMMEND COVER THROUGH-HOLE SIZE



SECTION A-A

- 1 MATERIAL: SEE TABLE LIST
- 2. WORKING TEMPERATURE RANGE: -40°C ~ +125°C(INCLUDING SELF-HEATING)
- 3. MINIMUM INSULATION RESISTANCE BETWEEN ADJACENT TERMINALS: 100MΩ AT DC500V.
- 4. NO DEFINED DIMENSIONS ACCORDING TO 3D MODEL.
- 5 THE SEALING CONTACT AREA ON COVER POLISHED. RECOMMEND ROUGHNESS Ra<1.6
- 6. RECOMMEND MOUNTING SCREW: M3XL(L=8MM+L1), L1=TICKNESS OF COVER
- 7. PLUG TE PART NUMBER: 4-1437290-0

THIS DRAWING IS A CONTROLLED DOCUMENT.		DWN J.WANG 19MAR2021	TE Connectivity	
DIMENSIONS: mm		CHK R.CHEN 19MAR2021		
TOLERANCES UNLESS OTHERWISE SPECIFIED:		APVD F.JIANG 19MAR2021	NAME SUPERSEAL 34P HEADER 180 DEGREE	
0 PLC ±		PRODUCT SPEC 108-78140	SIZE A2	
1 PLC ±0.1		APPLICATION SPEC	CAGE CODE 00779	
2 PLC ±0.01		WEIGHT	DRAWING NO C-2388688	
3 PLC ±0.001		RESTRICTED TO	SCALE 2:1	
4 PLC ±0.0001		SCALE	SHEET 2 OF 2	
ANGLES ±		CUSTOMER DRAWING	REV A1	
FINISH				

## X-ON Electronics

Largest Supplier of Electrical and Electronic Components

*Click to view similar products for [Headers & Wire Housings](#) category:*

*Click to view products by [TE Connectivity](#) manufacturer:*

Other Similar products are found below :

[0015917161](#) [0022155065](#) [57102-F02-18ULF](#) [58102-G61-06LF](#) [582553-1](#) [01.001.5753.1](#) [0050291907](#) [02.125.8002.8](#) [609-3404](#) [61062-3](#)  
[CSU011177004](#) [622-0430](#) [622-3653LF](#) [63453-116](#) [636-1030](#) [636-1427](#) [636-3427](#) [636-4007](#) [641938-9](#) [65495-038](#) [65692-001LF](#) [65781-018](#)  
[65781-047](#) [65817-010LF](#) [65817-015LF](#) [67095-007LF](#) [67601157](#) [68631-112](#) [68645-018](#) [699319-000](#) [70.362.1628.0](#) [70-4210](#) [70-4226B](#) [70-](#)  
[4853B](#) [71.350.2428.0](#) [733-134](#) [733-162](#) [760-3052](#) [MHR-64-VUAL](#) [80.063.4001.1](#) [800-90-001-10-001000](#) [801-43-002-10-013000](#)  
[801-43-006-10-002000](#) [803-43-024-10-001000](#) [803-93-012-10-001000](#) [8-1437020-4](#) [819-22-004-30-001101](#) [820-22-006-30-001101](#)  
[820-22-008-30-001101](#) [821-22-002-10-001101](#)