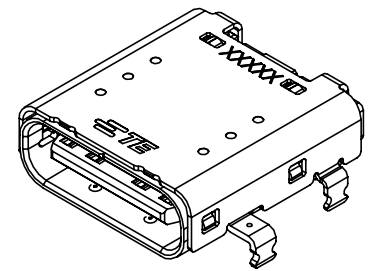
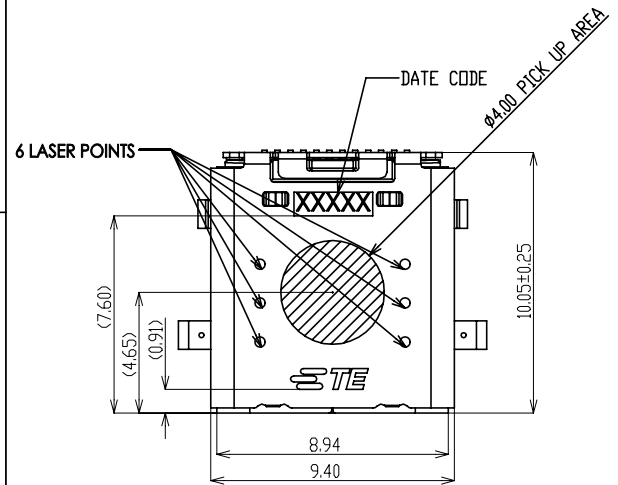
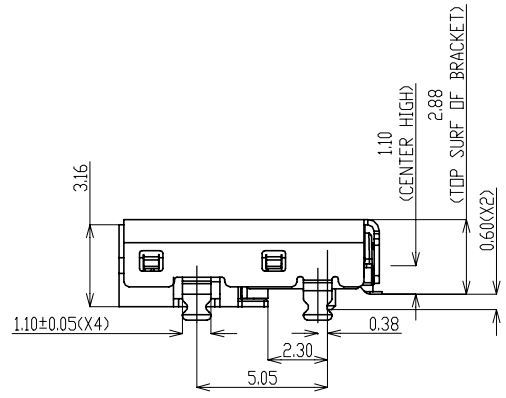
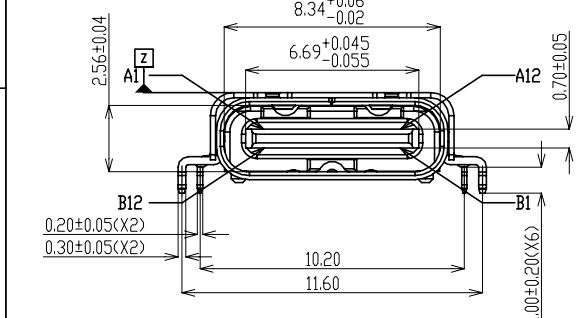


REVISIONS				
P	LTR	DESCRIPTION	DATE	DWN APVD
1		INITIAL	29APR2021	RM SZ

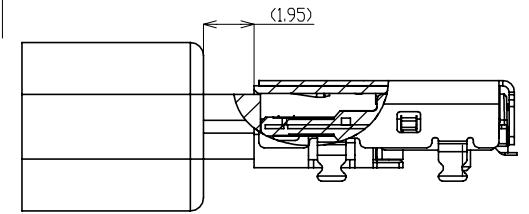
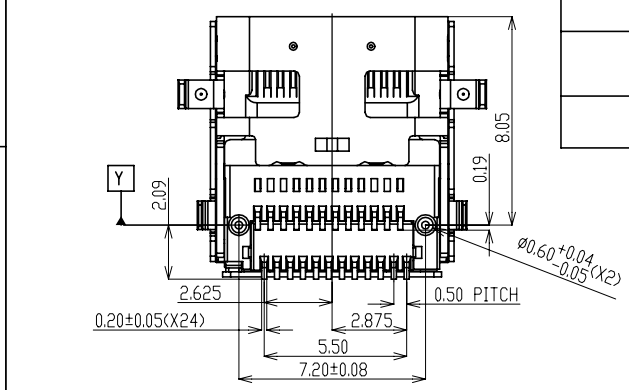


NOTES :

- MATERIAL  
 HOUSING :HIGH TEMPERATURE THERMAL PLASTIC,BLACK,UL94-V0  
 CONTACT :COPPER ALLOY  
 SHELL :STAINLESS STEEL  
 MIDDLE PLATE:STAINLESS STEEL
- PLATING  
 CONTACT:0.00076mm [30u"] MIN. GOLD PLATING ON CONTACT AREA.  
 0.00254mm [100u"] MIN. MATTE TIN PLATING ON SOLDER TAILS,  
 UNDERPLATED 0.00127mm [50u"] MIN. NICKEL OVERALL.  
 SHELL: 0.00127mm [50u"] MIN. SOLDERING NICKEL UNDERPLATED OVERALL.  
 MIDDLE PLATE: SOLDERING Ni 1.27um [50u"] MIN. UNDERPLATED OVERALL.
- COPLANARITY OF SMT PINS AND SOLDER TAILS:  
 0.10MAX BEFORE REFLOW,0.12MAX. AFTER REFLOW
- DATE CODE: YYWW (YY: YEAR, WW: WEEK, D: DAY)



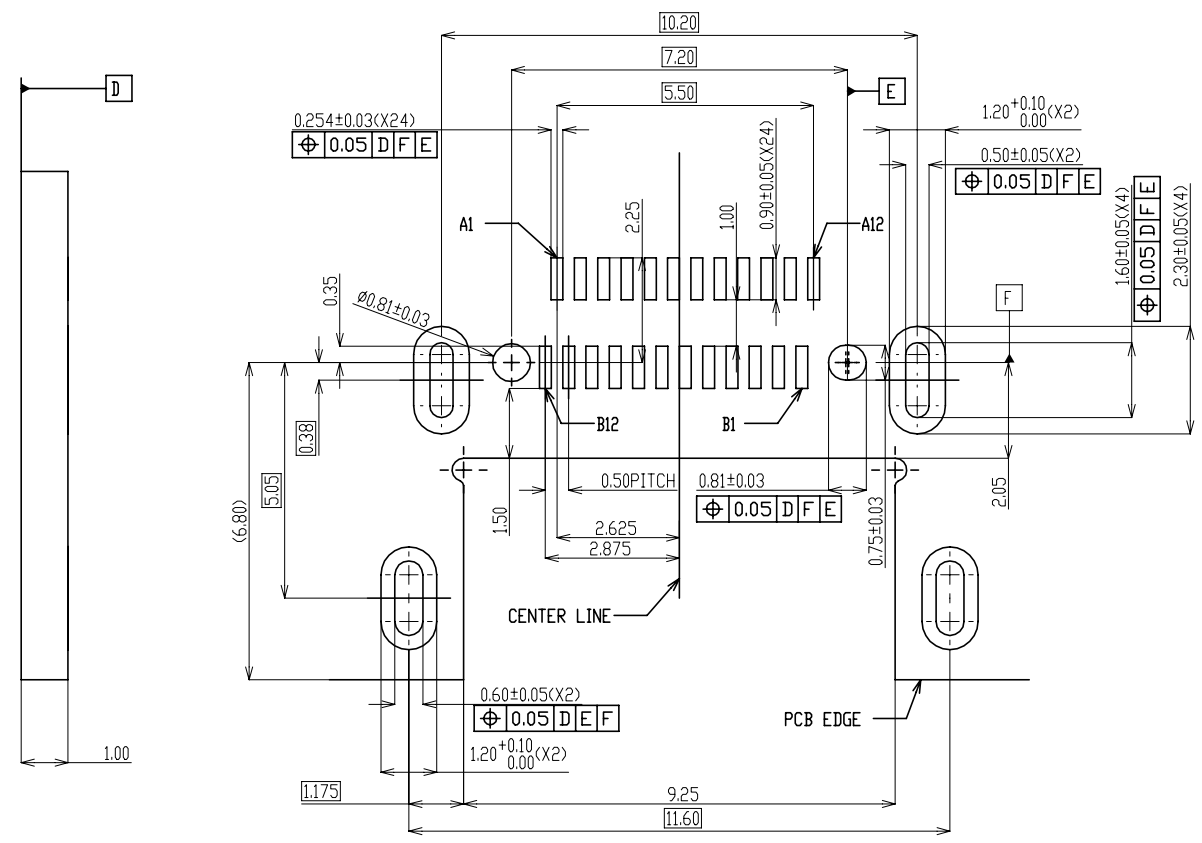
THIS PRINT IS  
**PRELIMINARY**  
 UNQUALIFIED PRODUCT  
 DESIGN IS SUBJECT TO  
 CHANGE WITHOUT NOTICE



2388749-1  
 P/N

THIS DRAWING IS A CONTROLLED DOCUMENT.		DWN RICHARD MA 29APR2021	TE Connectivity	
		CHK RICHARD MA 29APR2021		
		APVD SUNY ZHAO 29APR2021	NAME	
		PRODUCT SPEC	USB 4.0 RECEPTACLE	
		APPLICATION SPEC	TOP MOUNT, 24 POS,CH=1.10	
		108-160251		
		WEIGHT	SIZE A3	RESTRICTED TO
		CUSTOMER DRAWING	CAGE CODE 00779	
			DRAWING NO C=2388749	
			SCALE 1:1	
			SHEET 1 of 3	
			REV 1	

P	LTR	DESCRIPTION	DATE	DWN	APVD
-	-	SEE SHEET 1	-	-	-



RECOMMENDED PCB LAYOUT(TOP VIEW)  
THICKNESS 1.0mm  
TOLERANCE ±0.05

PIN NO.	A1	A2	A3	A4	A5	A6	A7	A8	A9	A10	A11	A12
SIGNAL NAME	GND	SSTxp1	SSTXn1	VBUS	CC1	Dp1	Dn1	SBUI	VBUS	SSRXn2	SSRXp2	GND
PIN NO.	B12	B11	B10	B9	B8	B7	B6	B5	B4	B3	B2	B1
SIGNAL NAME	GND	SSRXp1	SSRXn1	VBUS	SBU2	Dn2	Dp2	CC2	VBUS	SSTXn2	SSTXp2	GND

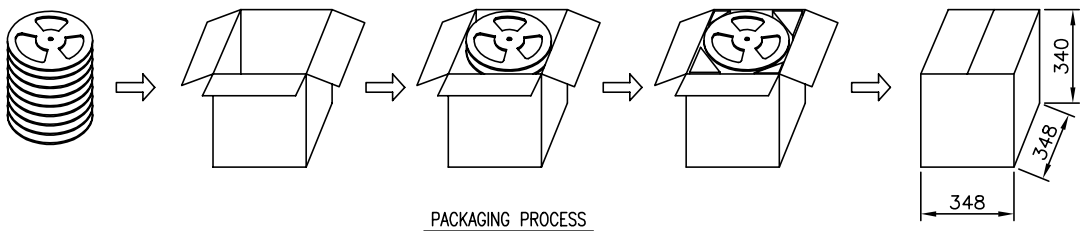
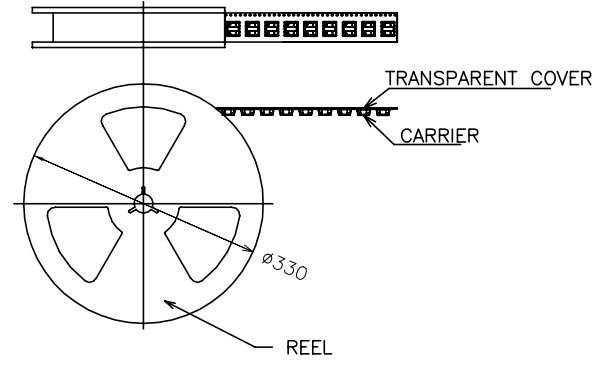
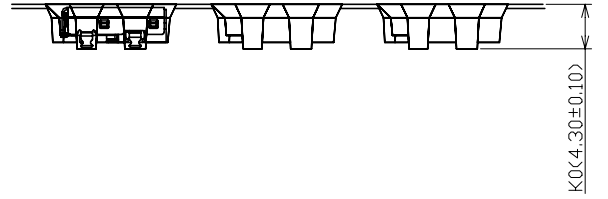
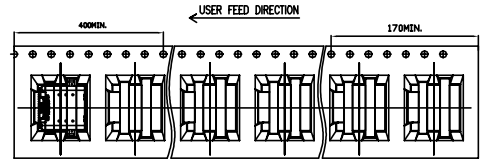
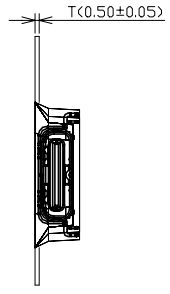
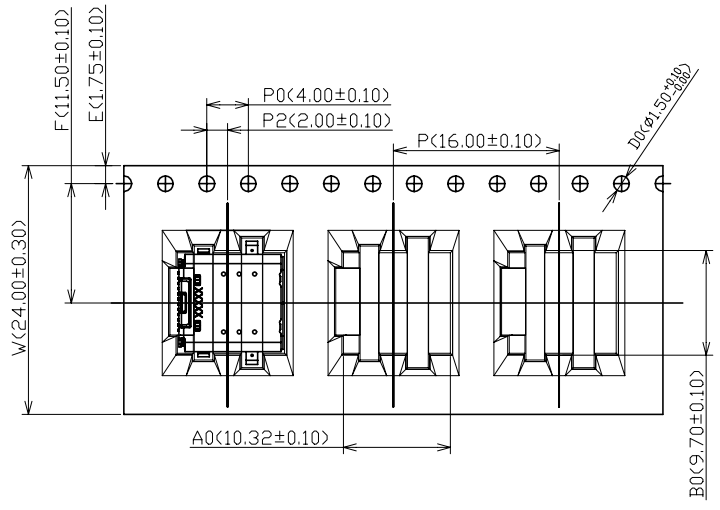
THIS PRINT IS  
**PRELIMINARY**  
UNQUALIFIED PRODUCT  
DESIGN IS SUBJECT TO  
CHANGE WITHOUT NOTICE

THIS DRAWING IS A CONTROLLED DOCUMENT.		DWN RICHARD MA 29APR2021		RICHARD MA 29APR2021 NAME SUNY ZHAO PRODUCT SPEC 108-160251 APPLICATION SPEC - WEIGHT - CUSTOMER DRAWING
DIMENSIONS: mm		CHK RICHARD MA 29APR2021		
TOLERANCES UNLESS OTHERWISE SPECIFIED:		APVD SUNY ZHAO 29APR2021		
0 PLC ± 0.38 1 PLC ± 0.25 2 PLC ± 0.13 3 PLC ± 0.05 4 PLC ± - ANGLES ± -		NAME		
MATERIAL -	FINISH -	NAME USB 4.0 RECEPTACLE TOP MOUNT, 24 POS,CH=1.10 SIZE A3 CAGE CODE 00779 DRAWING NO C=2388749 RESTRICTED TO -		
SCALE 1:1 SHEET 2 of 3 REV 1				

REVISIONS				
P	LTR	DESCRIPTION	DATE	DWN APVD
-	-	SEE SHEET 1	-	-

NOTES:

1. USED ON USB TYPE C RECEP. CONNECTOR PRODUCTS.
2. PACKAGE:600PCS/REEL, 10REELS/BOX
3. MATERIAL:TRANSPARENT CONDUCTIVE POLYSTYRENE ALLOY
4. APPLICABLE DOCUMENTS:IEA-481-C
5. AFTER UNREELING DIRECTION MUST HAVE 11 PCS BLANK.(170mm Min)
6. BEFORE UNREELING DIRECTION MUST HAVE 25 PCS BLANK.(400mm Min)



PACKAGING PROCESS

THIS PRINT IS  
**PRELIMINARY**  
UNQUALIFIED PRODUCT  
DESIGN IS SUBJECT TO  
CHANGE WITHOUT NOTICE

THIS DRAWING IS A CONTROLLED DOCUMENT.		DWN RICHARD MA 29APR2021	<b>STE</b> TE Connectivity											
		CHK RICHARD MA 29APR2021												
DIMENSIONS: mm		APVD SUNY ZHAO 29APR2021	NAME USB 4.0 RECEPTACLE TOP MOUNT, 24 POS,CH=1.10											
TOLERANCES UNLESS OTHERWISE SPECIFIED:		PRODUCT SPEC 108-160251	RESTRICTED TO											
<table border="1"> <tr><td>0 PLC</td><td>± 0.38</td></tr> <tr><td>1 PLC</td><td>± 0.25</td></tr> <tr><td>2 PLC</td><td>± 0.13</td></tr> <tr><td>3 PLC</td><td>± 0.05</td></tr> <tr><td>4 PLC ANGLES</td><td>± - ± -</td></tr> </table>		0 PLC	± 0.38	1 PLC	± 0.25	2 PLC	± 0.13	3 PLC	± 0.05	4 PLC ANGLES	± - ± -	APPLICATION SPEC -	SIZE A3	CAGE CODE 00779
0 PLC	± 0.38													
1 PLC	± 0.25													
2 PLC	± 0.13													
3 PLC	± 0.05													
4 PLC ANGLES	± - ± -													
MATERIAL -		FINISH -	DRAWING NO C=2388749	SCALE 1:1										
		CUSTOMER DRAWING	SHEET 3 of 3	REV 1										

## X-ON Electronics

Largest Supplier of Electrical and Electronic Components

*Click to view similar products for [USB Connectors](#) category:*

*Click to view products by [TE Connectivity](#) manufacturer:*

Other Similar products are found below :

[65-647-8-BK-BU](#) [950](#) [952](#) [E8144-B01021-L](#) [A-USB B-TOP-C](#) [MUSBA511N5](#) [MUSBD11135](#) [217450-1](#) [KMBVX-TH-5S-B30](#) [896-30-004-00-000000](#) [KUSBVX-BS1N-W30](#) [KUSBX-AP-KIT-SCBLK](#) [KUSBX-AS2N-W](#) [KUSBX-SMT2AP1S-W](#) [KUSBX-SMT2AP1S-W30](#) [935](#) [957](#) [30-498-6](#) [17-210051](#) [1734082-1](#) [30-1574](#) [30-470](#) [30-489](#) [30-541](#) [30-572-3](#) [A-USB A-2P-C](#) [MIKROE-1451](#) [USBFTV2PEM2G](#) [USBFTVC6ZN](#) [KUSBX-AS2N-W30](#) [KUSBX-SLAS1N-W](#) [KUSBX-SMT-AS1N-W30](#) [4689-1](#) [1-1734084-2](#) [E8110-001-01](#) [33UBARS1-04SW11](#) [33UBAR-04SW11](#) [USBF21ZNSCC](#) [USBBFTV6ZC](#) [10135326-001LF](#) [USB-A-S-F-B-VT](#) [925](#) [4198](#) [690-024-633-031](#) [KUSBEX-BSFS1N-W](#) [USBFTVC6MRG](#) [UA-20BMFA-SL8001](#) [17-250101](#) [USBFTVC7ZC](#) [USBFTV75NF459](#)