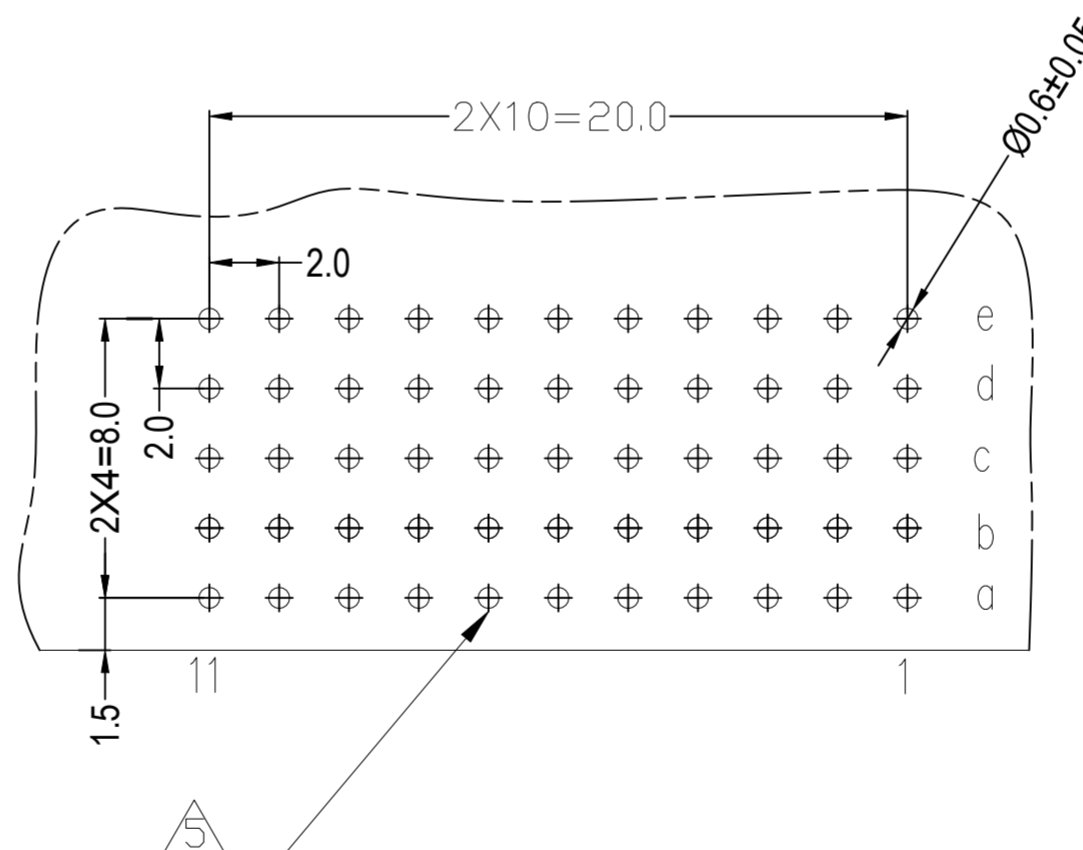
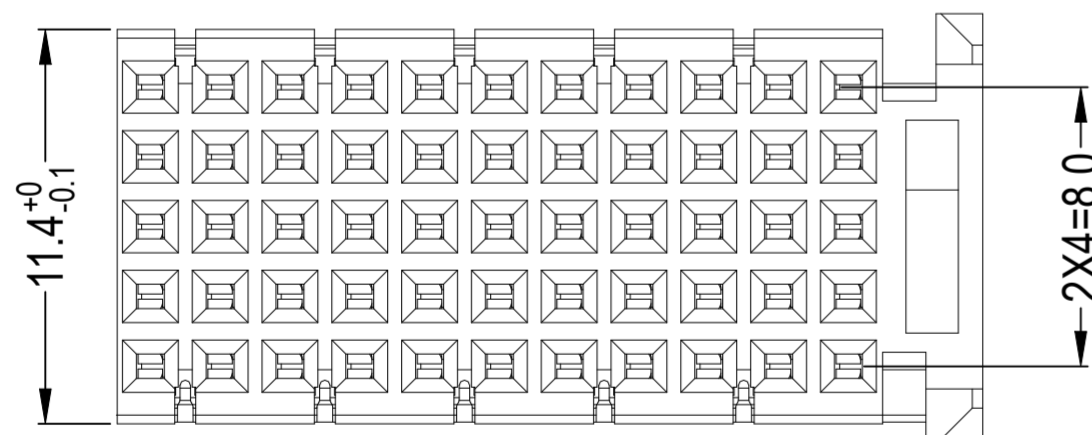
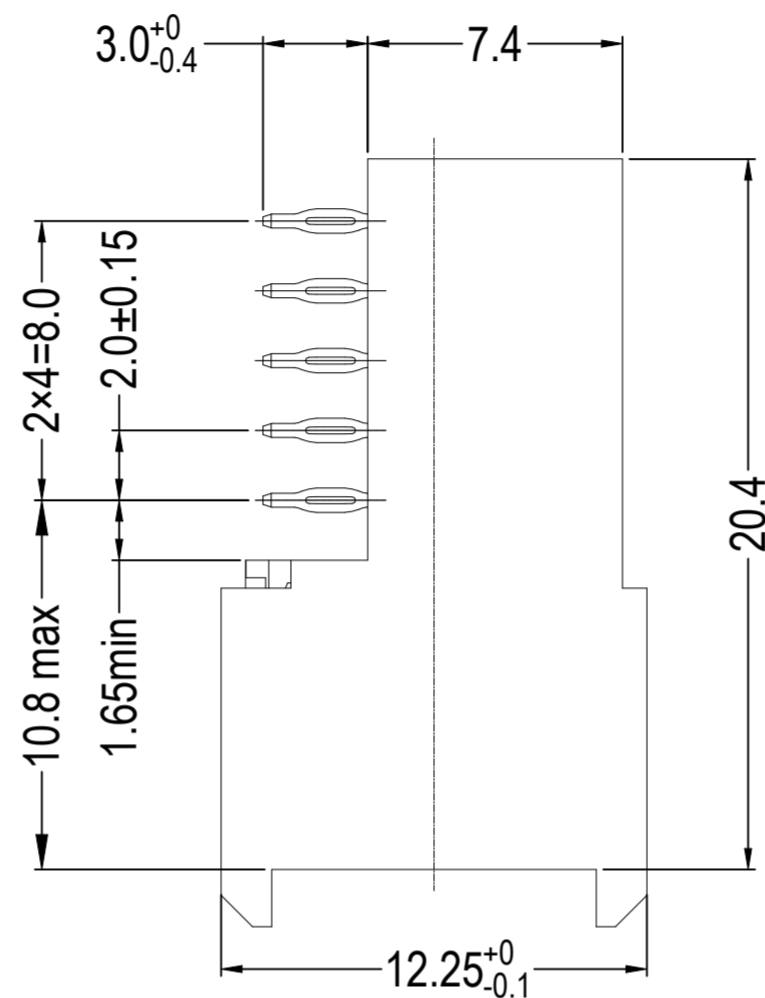
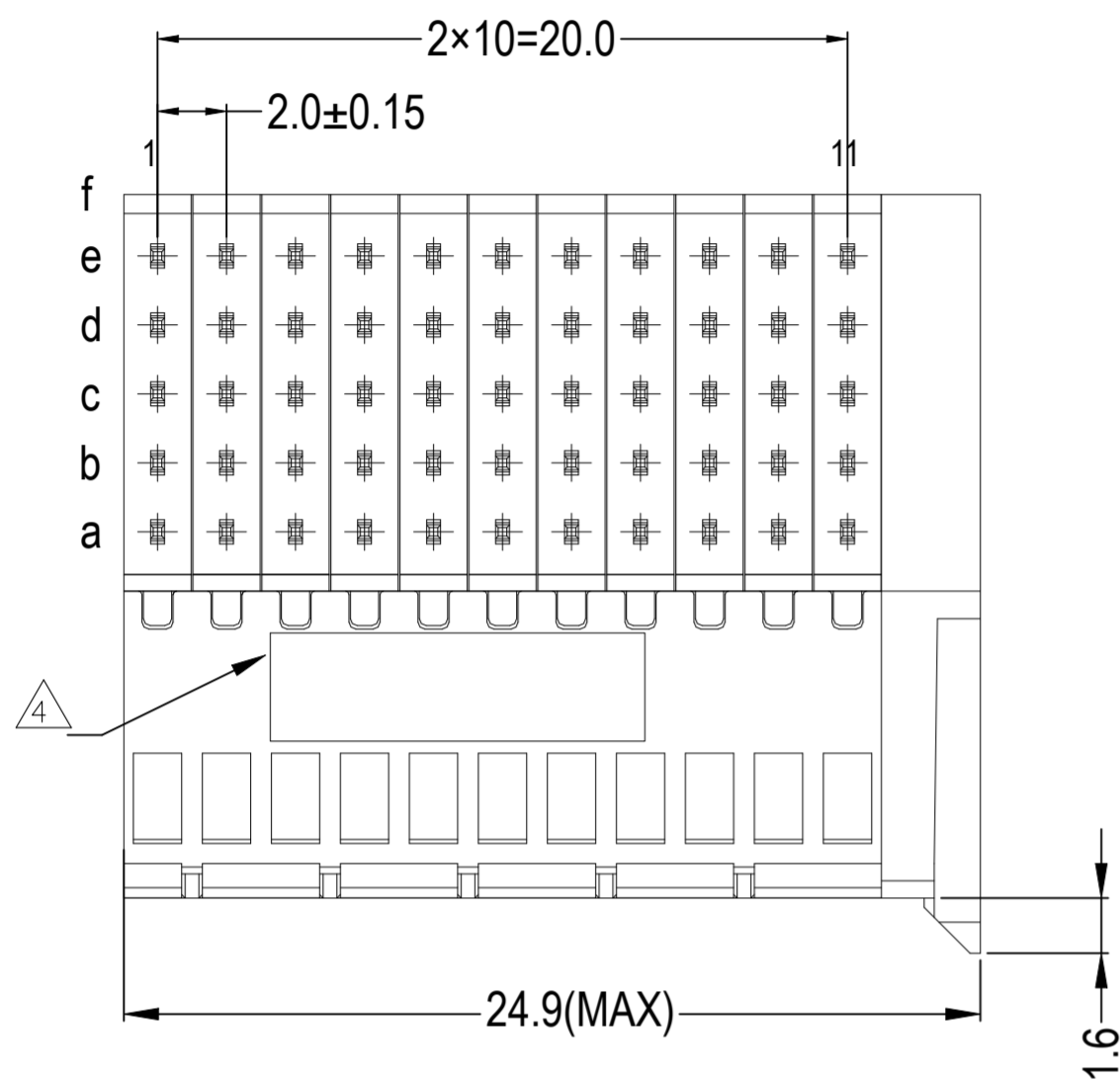


REVISIONS					
P	LTR	DESCRIPTION	DATE	DWN	APVD
A		INITIAL RELEASE	15OCT2021	TL	HL

NOTES:

- 1 MATERIAL:
CONTACTS : COPPER ALLOY
HOUSING: GLASSFILLED POLYESTER,COLOR NATURAL,UL94V-0
- 2 GENERAL PLATING SPECIFICATION: UNDERPLATING (ENTIRE CONTACT):
1,27µm NICKEL MIN. AND EDN PIN: 0,5µm TIN MIN.
FOR PLATING OF MATING SURFACES SEE APPLICABLE SPECIFICATION REFERENCE FOR EACH DASH NUMBER.
- 3 CONFORMS TO ALL TESTING ACCORDING IEC 61076-4-101 PERFORMANCE LEVEL 2.
- 4 ASSEMBLY PRINTED WITH P/N AND DATECODE
- 5 HOLE PATTERN FOR FEMALE CONNECTOR
PLATED-THROUGH HOLES AT 2x2mm SQUARE GRID



2/3	1	2389274-1
FINISH	MATERIAL	PART NUMBER

RECOMMEND PCB-HOLE LAYOUT
TOLERANCE ±0.05

THIS DRAWING IS A CONTROLLED DOCUMENT.		DWN TONY LI 26MAR2021	TE Connectivity Ltd.	
DIMENSIONS: mm		CHK ALEX SHOAL 26MAR2021		
TOLERANCES UNLESS OTHERWISE SPECIFIED:		APVD HOPE LU 26MAR2021	NAME Z PACK 2mm HM TYPE C, R/A , RECEPTACLE	
0 PLC ± -		PRODUCT SPEC 108-19082	SIZE A2	
1 PLC ± 0.2		APPLICATION SPEC 114-160149	CAGE CODE 00779	DRAWING NO C=2389274
2 PLC ± 0.2		WEIGHT 0	RESTRICTED TO -	
3 PLC ± 0.2		CUSTOMER DRAWING		
4 PLC ± -		SCALE 4:1	SHEET 1 of 1	REV A
4 PLC ANGLES ± -				
MATERIAL -				
FINISH -				

X-ON Electronics

Largest Supplier of Electrical and Electronic Components

Click to view similar products for [Hard Metric Connectors](#) category:

Click to view products by [TE Connectivity](#) manufacturer:

Other Similar products are found below :

[000-10400](#) [02021602202](#) [02440000001](#) [033004](#) [043136](#) [043137](#) [043138](#) [043190](#) [043332](#) [043333](#) [043334](#) [043335](#) [043336](#) [043337](#) [043338](#)
[043339](#) [043340](#) [043341](#) [043342](#) [043343](#) [043344](#) [043345](#) [043346](#) [043347](#) [043348](#) [043349](#) [043350](#) [043351](#) [044147](#) [044148](#) [044579](#)
[044846](#) [044847](#) [053007](#) [053008](#) [054087](#) [054392](#) [054528](#) [054546](#) [054794](#) [054795](#) [054798](#) [064097](#) [064219](#) [064622](#) [064623](#) [064692](#)
[064766](#) [082-201](#) [100141-1](#)