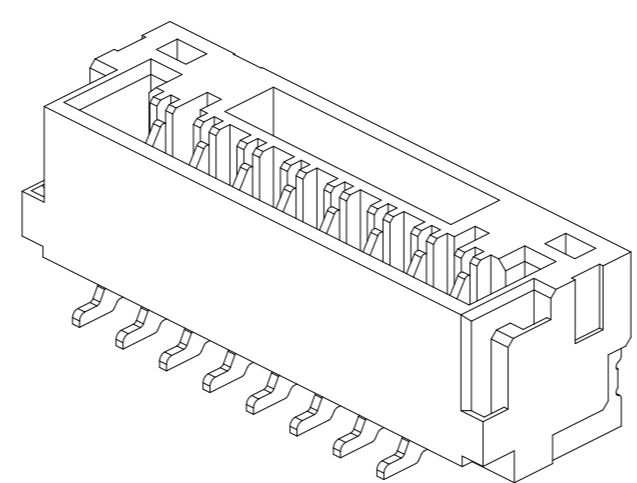
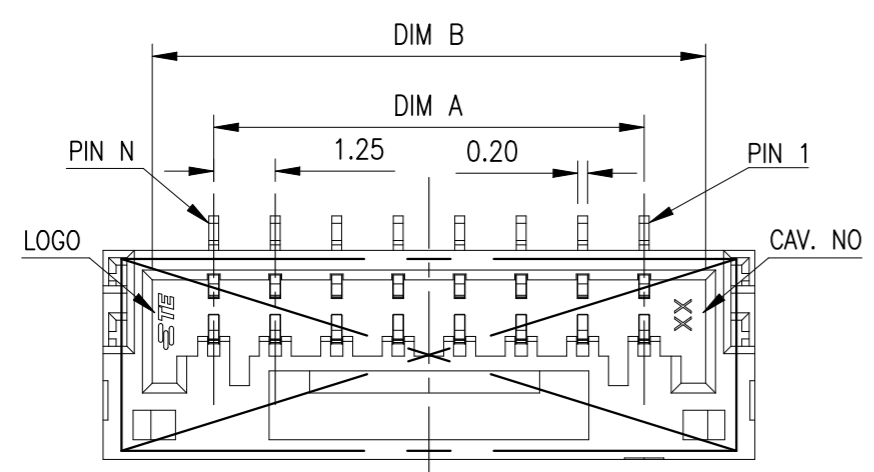
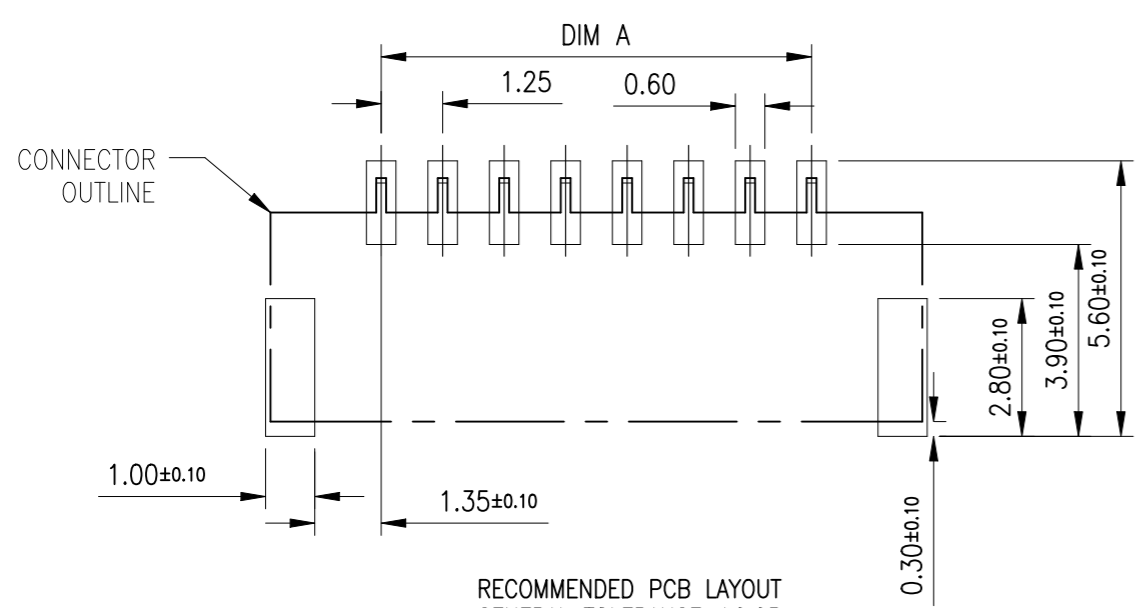
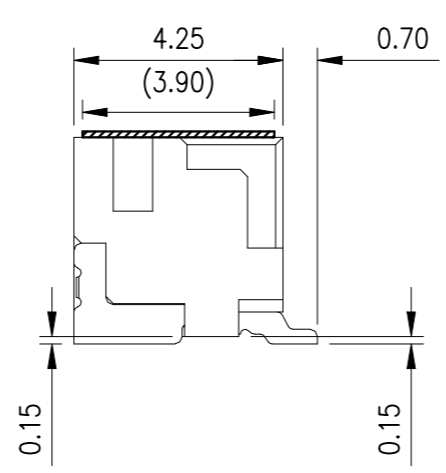
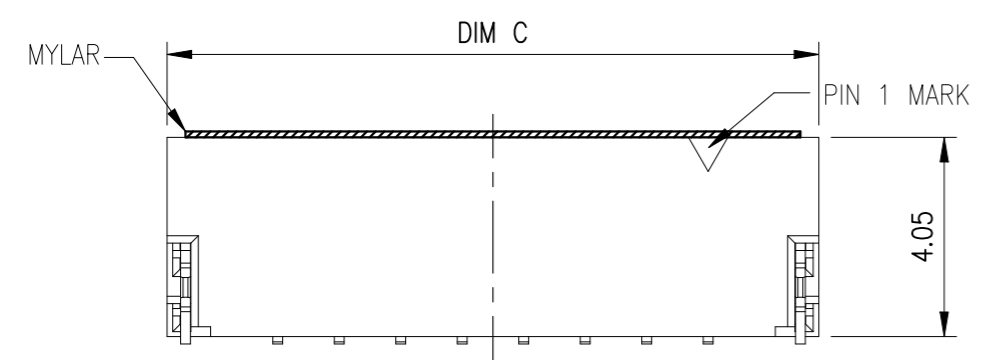


| REVISIONS |     |               |           |     |      |
|-----------|-----|---------------|-----------|-----|------|
| P         | LTR | DESCRIPTION   | DATE      | DWN | APVD |
|           | A   | ECR-21-104664 | 12APR2021 | T.Q | W.H  |



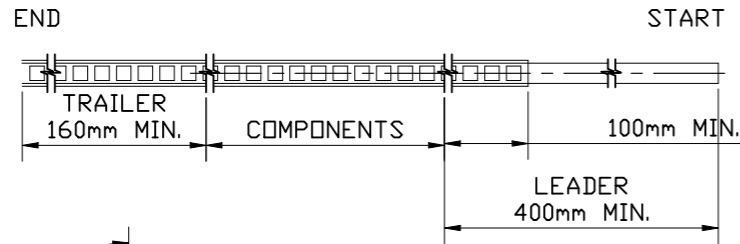
- NOTES:
- MATERIAL:
    - HOUSING: THERMOPLASTIC, HIGH TEMP.,UL94V-0,LCP
    - CONTACT: COPPER ALLOY.
    - FITTING NAIL: COPPER ALLOY.
  - FINISH:
    - CONTACT: 50u" MIN. NICKEL UNDERPLATING OVERALL.  
TYPE A:80~150u" MATT TIN PLATING ON CONTACT AND SOLDER AREA  
TYPE B:0.5u" MIN GOLD FLASH ON CONTACT AND SOLDER AREA
    - FITTING NAIL: 50u" MIN. NICKEL UNDERPLATING OVERALL.  
N:80u" MIN. MATTE TIN PLATING
  - MATING PARTS: X-2390144-X.



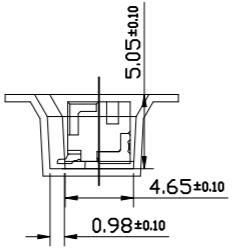
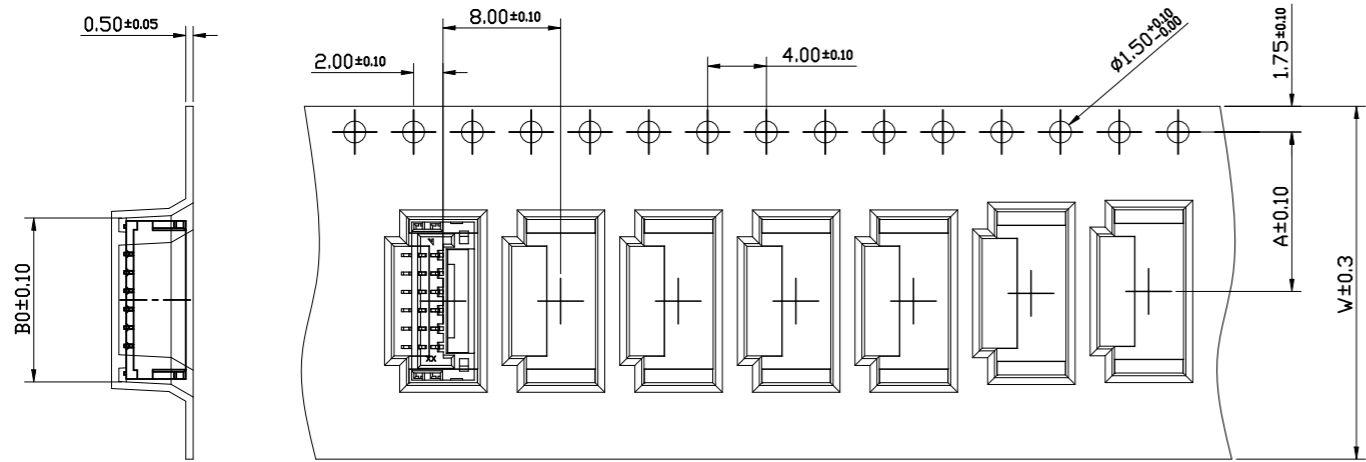
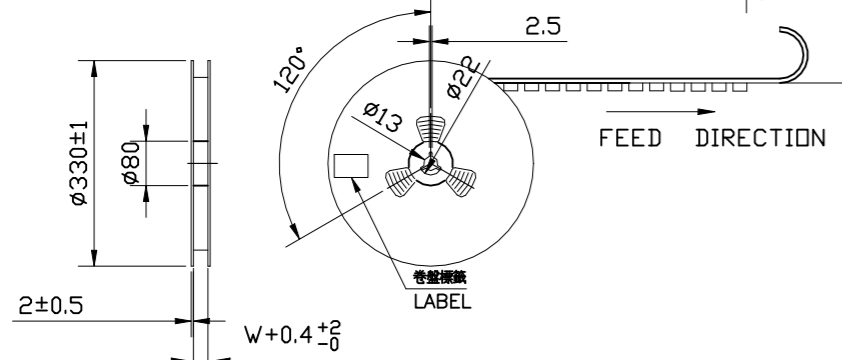
| COLOR   | DIM C | DIM B | DIM A | POS | GOLD FLASH  | MATT TIN    |
|---------|-------|-------|-------|-----|-------------|-------------|
| BLACK   | 22.00 | 20.00 | 17.50 | 15P | 7-2390138-5 | 5-2390138-5 |
|         | 20.75 | 18.75 | 16.25 | 14P | 7-2390138-4 | 5-2390138-4 |
|         | 19.50 | 17.50 | 15.00 | 13P | 7-2390138-3 | 5-2390138-3 |
|         | 18.25 | 16.25 | 13.75 | 12P | 7-2390138-2 | 5-2390138-2 |
|         | 17.00 | 15.00 | 12.50 | 11P | 7-2390138-1 | 5-2390138-1 |
|         | 15.75 | 13.75 | 11.25 | 10P | 7-2390138-0 | 5-2390138-0 |
|         | 14.50 | 12.50 | 10.00 | 9P  | 6-2390138-9 | 4-2390138-9 |
|         | 13.25 | 11.25 | 8.75  | 8P  | 6-2390138-8 | 4-2390138-8 |
|         | 12.00 | 10.00 | 7.50  | 7P  | 6-2390138-7 | 4-2390138-7 |
|         | 10.75 | 8.75  | 6.25  | 6P  | 6-2390138-6 | 4-2390138-6 |
| NATURAL | 9.50  | 7.50  | 5.00  | 5P  | 6-2390138-5 | 4-2390138-5 |
|         | 8.25  | 6.25  | 3.75  | 4P  | 6-2390138-4 | 4-2390138-4 |
|         | 7.00  | 5.00  | 2.50  | 3P  | 6-2390138-3 | 4-2390138-3 |
|         | 5.75  | 3.75  | 1.25  | 2P  | 6-2390138-2 | 4-2390138-2 |
|         | 22.00 | 20.00 | 17.50 | 15P | 3-2390138-5 | 1-2390138-5 |
|         | 20.75 | 18.75 | 16.25 | 14P | 3-2390138-4 | 1-2390138-4 |
|         | 19.50 | 17.50 | 15.00 | 13P | 3-2390138-3 | 1-2390138-3 |
|         | 18.25 | 16.25 | 13.75 | 12P | 3-2390138-2 | 1-2390138-2 |
|         | 17.00 | 15.00 | 12.50 | 11P | 3-2390138-1 | 1-2390138-1 |
|         | 15.75 | 13.75 | 11.25 | 10P | 3-2390138-0 | 1-2390138-0 |
|         | 14.50 | 12.50 | 10.00 | 9P  | 2-2390138-9 | 2390138-9   |
|         | 13.25 | 11.25 | 8.75  | 8P  | 2-2390138-8 | 2390138-8   |
|         | 12.00 | 10.00 | 7.50  | 7P  | 2-2390138-7 | 2390138-7   |
|         | 10.75 | 8.75  | 6.25  | 6P  | 2-2390138-6 | 2390138-6   |
|         | 9.50  | 7.50  | 5.00  | 5P  | 2-2390138-5 | 2390138-5   |
|         | 8.25  | 6.25  | 3.75  | 4P  | 2-2390138-4 | 2390138-4   |
|         | 7.00  | 5.00  | 2.50  | 3P  | 2-2390138-3 | 2390138-3   |
|         | 5.75  | 3.75  | 1.25  | 2P  | 2-2390138-2 | 2390138-2   |
|         |       |       |       |     |             |             |
|         |       |       |       |     |             |             |

|                                                                                        |  |                          |                                                    |      |                  |            |                              |
|----------------------------------------------------------------------------------------|--|--------------------------|----------------------------------------------------|------|------------------|------------|------------------------------|
| THIS DRAWING IS A CONTROLLED DOCUMENT.                                                 |  | DWN Tommy Qian 12APR2021 | TE Connectivity<br>1.25mm PITCH WTB Conn.<br>SMT V |      |                  |            |                              |
| DIMENSIONS: mm                                                                         |  | CHK Niki Shi 12APR2021   |                                                    |      |                  |            |                              |
| TOLERANCES UNLESS OTHERWISE SPECIFIED:                                                 |  | APVD Niki Shi 12APR2021  |                                                    |      |                  |            |                              |
| 0 PLC ± 0.5<br>1 PLC ± 0.25<br>2 PLC ± 0.15<br>3 PLC ± 0.1<br>4 PLC ± -<br>ANGLES ± 2° |  | NAME                     |                                                    |      |                  |            |                              |
| MATERIAL NOTE 1                                                                        |  | FINISH NOTE 2            | PRODUCT SPEC                                       | SIZE | CAGE CODE        | DRAWING NO | RESTRICTED TO                |
|                                                                                        |  |                          | APPLICATION SPEC                                   | —    | A300779          | C-2390138  | —                            |
|                                                                                        |  |                          | WEIGHT                                             | N/A  | CUSTOMER DRAWING |            | SCALE N/A SHEET 1 OF 4 REV A |

| REVISIONS |     |             |      |     |      |
|-----------|-----|-------------|------|-----|------|
| P         | LTR | DESCRIPTION | DATE | DWN | APVD |
| -         | -   | SEE SHEET 1 | -    | -   | -    |



- NOTES:
- 10 SPROCKET HOLE PITCH CUMULATIVE TOLERANCE: ±0.20mm
  - CARRIER CAMBER NOT TO EXCEED 1mm IN 100mm.
  - ALL DIMENSIONS MEET EIA-481 REQUIREMENTS.
  - MATERIAL: BLACK ANTI-STATIC POLYSTYRENE.
  - THICKNESS: 0.50±0.05 mm.
  - PACKING LENGTH PER 13" REEL : 13.0 METERS.
  - COMPONENT LOAD PER 13" REEL : 1600 PCS.



|        |  |       |       |                     |             |
|--------|--|-------|-------|---------------------|-------------|
| 17.29  |  |       | 11P   | 7-2390138-1         | 5-2390138-1 |
| 16.04  |  |       | 10P   | 7-2390138-0         | 5-2390138-0 |
| 14.79  |  |       | 9P    | 6-2390138-9         | 4-2390138-9 |
| 13.54  |  |       | 8P    | 6-2390138-8         | 4-2390138-8 |
| 12.29  |  |       | 7P    | 6-2390138-7         | 4-2390138-7 |
| 11.04  |  |       | 6P    | 6-2390138-6         | 4-2390138-6 |
| 9.79   |  |       | 5P    | 6-2390138-5         | 4-2390138-5 |
| 8.54   |  |       | 4P    | 6-2390138-4         | 4-2390138-4 |
| 7.29   |  |       | 3P    | 6-2390138-3         | 4-2390138-3 |
| 6.04   |  |       | 2P    | 6-2390138-2         | 4-2390138-2 |
| 17.29  |  |       | 11P   | 3-2390138-1         | 1-2390138-1 |
| 16.04  |  |       | 10P   | 3-2390138-0         | 1-2390138-0 |
| 14.79  |  |       | 9P    | 2-2390138-9         | 2390138-9   |
| 13.54  |  |       | 8P    | 2-2390138-8         | 2390138-8   |
| 12.29  |  |       | 7P    | 2-2390138-7         | 2390138-7   |
| 11.04  |  |       | 6P    | 2-2390138-6         | 2390138-6   |
| 9.79   |  |       | 5P    | 2-2390138-5         | 2390138-5   |
| 8.54   |  |       | 4P    | 2-2390138-4         | 2390138-4   |
| 7.29   |  |       | 3P    | 2-2390138-3         | 2390138-3   |
| 6.04   |  |       | 2P    | 2-2390138-2         | 2390138-2   |
| DIM B0 |  | DIM F | DIM W | POS                 |             |
|        |  |       |       | GOLD FLASH MATT TIN |             |
|        |  |       |       | PLATING SPEC        |             |
|        |  |       |       | PART NUMBER         |             |

| CKT. | W     | F     | B0    |
|------|-------|-------|-------|
| 2    |       |       | 6.04  |
| 3    | 16.00 | 7.50  | 7.29  |
| 4    |       |       | 8.54  |
| 5    |       |       | 9.79  |
| 6    |       |       | 11.04 |
| 7    |       |       | 12.29 |
| 8    | 24.00 | 11.50 | 13.54 |
| 9    |       |       | 14.79 |
| 10   |       |       | 16.04 |
| 11   |       |       | 17.29 |

THIS DRAWING IS A CONTROLLED DOCUMENT.

DWN Tommy Qian 12APR2021  
 CHK Niki Shi 12APR2021  
 APVD Niki Shi 12APR2021

**STE** TE Connectivity

NAME: 1.25mm PITCH WT B Conn. SMT V

PRODUCT SPEC: -  
 APPLICATION SPEC: -  
 WEIGHT: -

SIZE: A3 CAGE CODE: 00779 DRAWING NO: C=2390138 RESTRICTED TO: -

CUSTOMER DRAWING SCALE: N/A SHEET: 2 of 4 REV: A

| DIMENSIONS: | TOLERANCES UNLESS OTHERWISE SPECIFIED: |
|-------------|----------------------------------------|
| mm          |                                        |
| 0 PLC       | ± 0.5                                  |
| 1 PLC       | ± 0.25                                 |
| 2 PLC       | ± 0.15                                 |
| 3 PLC       | ± 0.1                                  |
| 4 PLC       | ± -                                    |
| ANGLES      | ± 2'                                   |

NOTE 1 MATERIAL FINISH NOTE 2

4

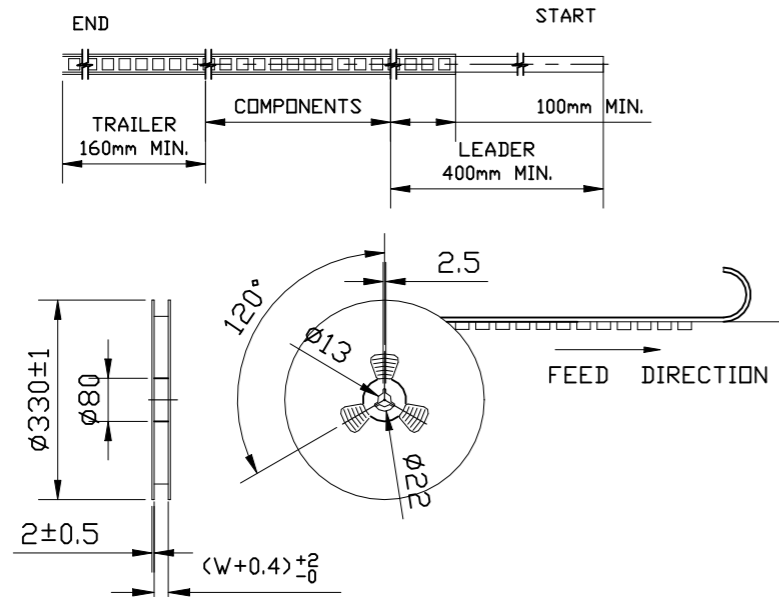
3

2

1

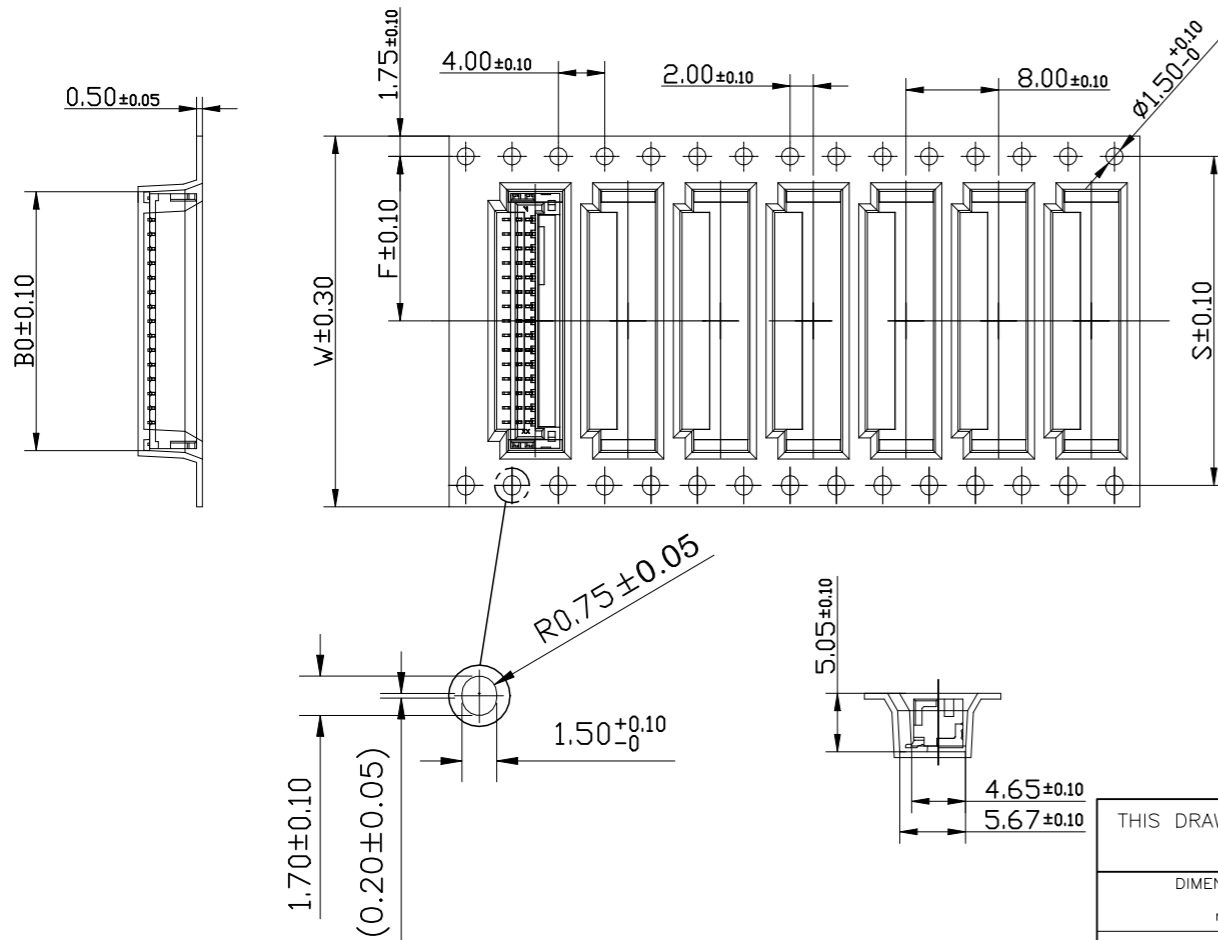
REVISIONS

| P | LTR | DESCRIPTION | DATE | DWN | APVD |
|---|-----|-------------|------|-----|------|
| - | -   | SEE SHEET 1 | -    | -   | -    |



NOTES:

1. 10 SPROCKET HOLE PITCH CUMULATIVE TOLERANCE.±0.20mm
2. CARRIER CAMBER NOT TO EXCEED 1mm IN 100mm.
3. ALL DIMENSIONS MEET EIA-481 REQUIREMENTS.
4. MATERIAL: BLACK ANTI-STATIC POLYSTYRENE.
5. THICKNESS: 0.50±0.05 mm.
6. PACKING LENGHT PER 13" REEL : 13.0 METERS.
7. COMPONENT LOAD PER 13" REEL : 1600 PCS.



| CKT. | W     | F     | S     | B0    |
|------|-------|-------|-------|-------|
| 12   |       |       |       | 18.54 |
| 13   | 32.00 | 14.20 | 28.40 | 19.79 |
| 14   |       |       |       | 21.04 |
| 15   |       |       |       | 22.29 |

|       |       |       |       |              |             |             |
|-------|-------|-------|-------|--------------|-------------|-------------|
| 22.29 |       |       |       | 15P          | 7-2390138-5 | 5-2390138-5 |
| 21.04 | 28.40 | 14.20 | 32.00 | 14P          | 7-2390138-4 | 5-2390138-4 |
| 19.79 |       |       |       | 13P          | 7-2390138-3 | 5-2390138-3 |
| 18.54 |       |       |       | 12P          | 7-2390138-2 | 5-2390138-2 |
| 22.29 |       |       |       | 15P          | 3-2390138-5 | 1-2390138-5 |
| 21.04 | 28.40 | 14.20 | 32.00 | 14P          | 3-2390138-4 | 1-2390138-4 |
| 19.79 |       |       |       | 13P          | 3-2390138-3 | 1-2390138-3 |
| 18.54 |       |       |       | 12P          | 3-2390138-2 | 1-2390138-2 |
|       |       |       |       | GOLD FLASH   |             | MATT TIN    |
|       |       |       |       | PLATING SPEC |             |             |
|       |       |       |       | PART NUMBER  |             |             |

THIS DRAWING IS A CONTROLLED DOCUMENT.

| DIMENSIONS: | TOLERANCES UNLESS OTHERWISE SPECIFIED: |
|-------------|----------------------------------------|
| mm          | 0 PLC ± 0.5                            |
|             | 1 PLC ± 0.25                           |
|             | 2 PLC ± 0.15                           |
|             | 3 PLC ± 0.1                            |
|             | 4 PLC ± -                              |
|             | ANGLES ± 2'                            |

MATERIAL NOTE 1 FINISH NOTE 2

|                          |                              |                 |                      |
|--------------------------|------------------------------|-----------------|----------------------|
| DWN Tommy Qian 12APR2021 | <b>TE</b> TE Connectivity    |                 |                      |
| CHK Niki Shi 12APR2021   |                              |                 |                      |
| APVD Niki Shi 12APR2021  | NAME                         |                 |                      |
| PRODUCT SPEC -           | 1.25mm PITCH WTB Conn. SMT V |                 |                      |
| APPLICATION SPEC -       | -                            |                 |                      |
| WEIGHT -                 | SIZE A3                      | CAGE CODE 00779 | DRAWING NO C=2390138 |
| CUSTOMER DRAWING         |                              | SCALE N/A       | SHEET 3 OF 4         |
|                          |                              | RESTRICTED TO - | REV A                |

NOTE:

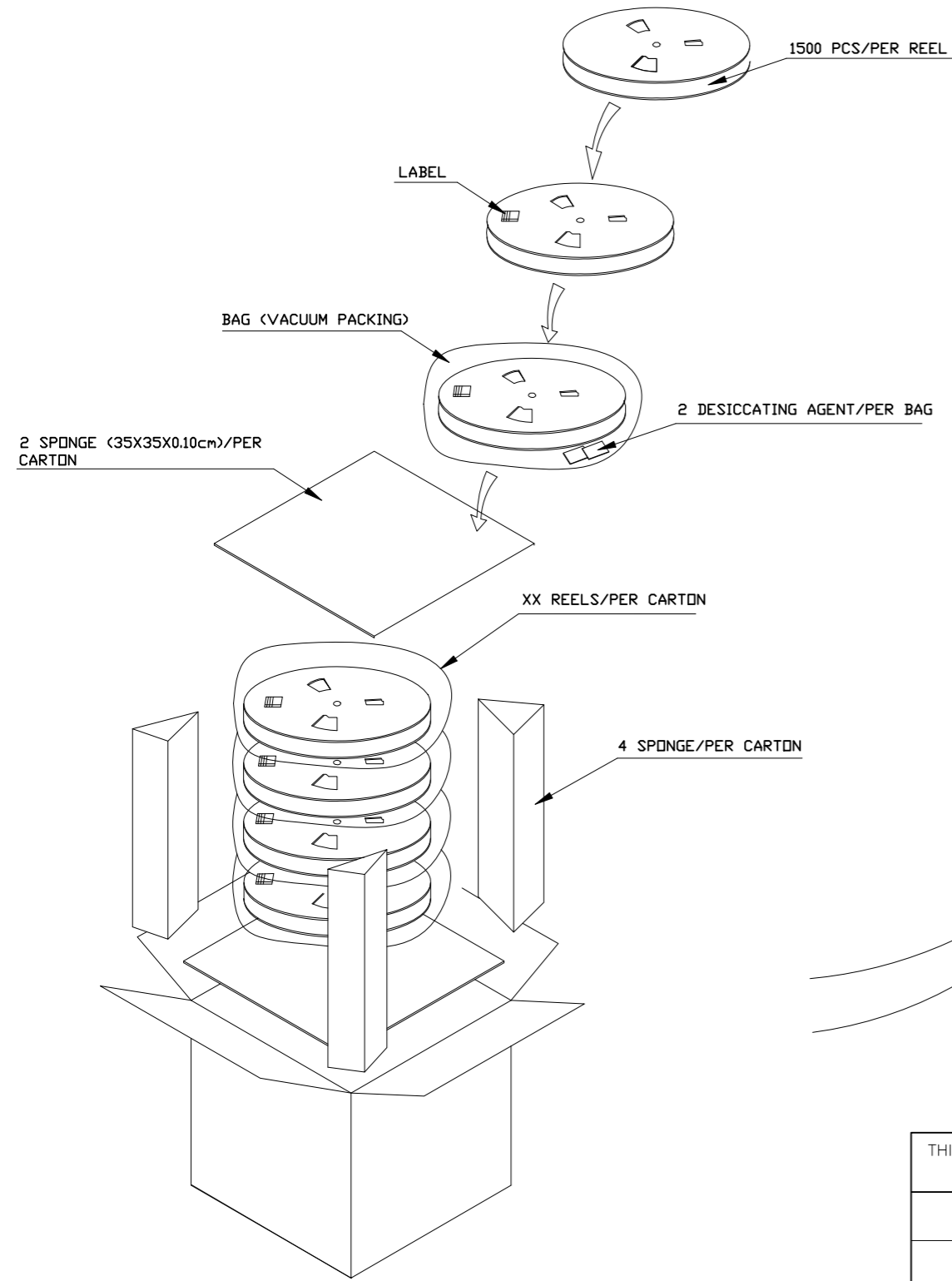
1. STAPLES SHOULD ONLY BE USED TO SET UP CARTON  
ALL CARTONS CLOSURES MUST BE DONE WITH TAPE.
2. FILL PACKAGING REEL WITH THE QUANTITIES AS INDICATED

4 3 2 1

© 2021 TE Connectivity. All Rights Reserved.

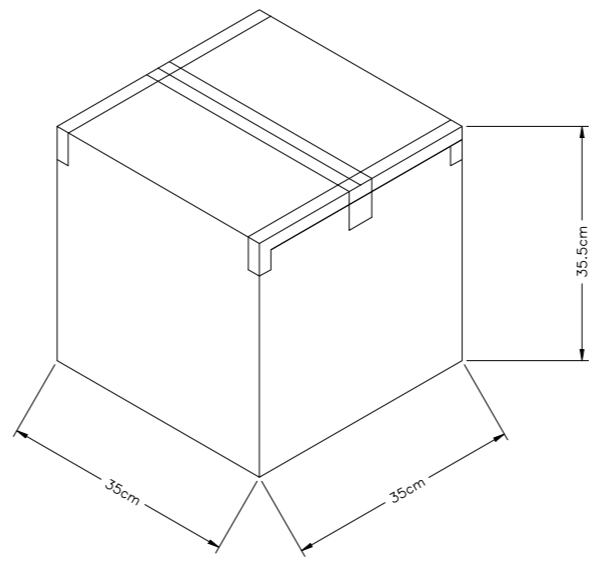
REVISIONS

| P | LTR | DESCRIPTION | DATE | DWN | APVD |
|---|-----|-------------|------|-----|------|
| - | -   | SEE SHEET 1 | -    | -   | -    |



NOTE:

1. STAPLES SHOULD ONLY BE USED TO SET UP CARTON  
ALL CARTONS CLOSURES MUST BE DONE WITH TAPE.
2. FILL PACKAGING REEL WITH THE QUANTITIES AS INDICATED



|                  |                |                  |     |              |             |
|------------------|----------------|------------------|-----|--------------|-------------|
| 8000(PCS)        | 1600(PCS)      | 5                | 15P | 7-2390138-5  | 5-2390138-5 |
| 8000(PCS)        | 1600(PCS)      | 5                | 14P | 7-2390138-4  | 5-2390138-4 |
| 8000(PCS)        | 1600(PCS)      | 5                | 13P | 7-2390138-3  | 5-2390138-3 |
| 8000(PCS)        | 1600(PCS)      | 5                | 12P | 7-2390138-2  | 5-2390138-2 |
| 8000(PCS)        | 1600(PCS)      | 5                | 11P | 7-2390138-1  | 5-2390138-1 |
| 8000(PCS)        | 1600(PCS)      | 5                | 10P | 7-2390138-0  | 5-2390138-0 |
| 8000(PCS)        | 1600(PCS)      | 5                | 9P  | 6-2390138-9  | 4-2390138-9 |
| 8000(PCS)        | 1600(PCS)      | 5                | 8P  | 6-2390138-8  | 4-2390138-8 |
| 8000(PCS)        | 1600(PCS)      | 5                | 7P  | 6-2390138-7  | 4-2390138-7 |
| 8000(PCS)        | 1600(PCS)      | 5                | 6P  | 6-2390138-6  | 4-2390138-6 |
| 16000(PCS)       | 1600(PCS)      | 10               | 5P  | 6-2390138-5  | 4-2390138-5 |
| 16000(PCS)       | 1600(PCS)      | 10               | 4P  | 6-2390138-4  | 4-2390138-4 |
| 16000(PCS)       | 1600(PCS)      | 10               | 3P  | 6-2390138-3  | 4-2390138-3 |
| 16000(PCS)       | 1600(PCS)      | 10               | 2P  | 6-2390138-2  | 4-2390138-2 |
| 8000(PCS)        | 1600(PCS)      | 5                | 15P | 3-2390138-5  | 1-2390138-5 |
| 8000(PCS)        | 1600(PCS)      | 5                | 14P | 3-2390138-4  | 1-2390138-4 |
| 8000(PCS)        | 1600(PCS)      | 5                | 13P | 3-2390138-3  | 1-2390138-3 |
| 8000(PCS)        | 1600(PCS)      | 5                | 12P | 3-2390138-2  | 1-2390138-2 |
| 8000(PCS)        | 1600(PCS)      | 5                | 11P | 3-2390138-1  | 1-2390138-1 |
| 8000(PCS)        | 1600(PCS)      | 5                | 10P | 3-2390138-0  | 1-2390138-0 |
| 8000(PCS)        | 1600(PCS)      | 5                | 9P  | 2-2390138-9  | 2390138-9   |
| 8000(PCS)        | 1600(PCS)      | 5                | 8P  | 2-2390138-8  | 2390138-8   |
| 8000(PCS)        | 1600(PCS)      | 5                | 7P  | 2-2390138-7  | 2390138-7   |
| 8000(PCS)        | 1600(PCS)      | 5                | 6P  | 2-2390138-6  | 2390138-6   |
| 16000(PCS)       | 1600(PCS)      | 10               | 5P  | 2-2390138-5  | 2390138-5   |
| 16000(PCS)       | 1600(PCS)      | 10               | 4P  | 2-2390138-4  | 2390138-4   |
| 16000(PCS)       | 1600(PCS)      | 10               | 3P  | 2-2390138-3  | 2390138-3   |
| 16000(PCS)       | 1600(PCS)      | 10               | 2P  | 2-2390138-2  | 2390138-2   |
| PARTS PER CARTON | PARTS PER REEL | REELS PER CARTON | POS | GOLD FLASH   | MATT TIN    |
|                  |                |                  |     | PLATING SPEC |             |
|                  |                |                  |     | PART NUMBER  |             |

|                                        |        |                          |                 |           |            |
|----------------------------------------|--------|--------------------------|-----------------|-----------|------------|
| THIS DRAWING IS A CONTROLLED DOCUMENT. |        | DWN Tommy Qian 12APR2021 | TE Connectivity |           |            |
| DIMENSIONS: mm                         |        | CHK Niki Shi 12APR2021   |                 |           |            |
| TOLERANCES UNLESS OTHERWISE SPECIFIED: |        | APVD Niki Shi 12APR2021  | NAME            |           |            |
| 0 PLC ± 0.5                            |        | 1.25mm PITCH WTB Conn.   |                 |           |            |
| 1 PLC ± 0.25                           |        | SMT V                    |                 |           |            |
| 2 PLC ± 0.15                           |        | -                        |                 |           |            |
| 3 PLC ± 0.1                            |        | -                        |                 |           |            |
| 4 PLC ± -                              |        | -                        |                 |           |            |
| ANGLES ± 2'                            |        | -                        |                 |           |            |
| MATERIAL                               | FINISH | WEIGHT                   | SIZE            | CAGE CODE | DRAWING NO |
| NOTE 1                                 | NOTE 2 | -                        | A3              | 00779     | C=2390138  |
| CUSTOMER DRAWING                       |        |                          | SCALE           | SHEET     | REV        |
|                                        |        |                          | N/A             | 4 OF 4    | A          |

## X-ON Electronics

Largest Supplier of Electrical and Electronic Components

*Click to view similar products for [Headers & Wire Housings](#) category:*

*Click to view products by [TE Connectivity](#) manufacturer:*

Other Similar products are found below :

[892-18-020-10-001101](#) [58102-G61-06LF](#) [582553-1](#) [0009485154](#) [009176003701906](#) [0050291907](#) [LY20-4P-DT1-P1E-BR](#) [02.125.8002.8](#)  
[609-3404](#) [61062-3](#) [61082-181009](#) [622-3653LF](#) [63453-116](#) [636-1030](#) [636-1427](#) [636-3427](#) [636-4007](#) [641938-9](#) [641991-4](#) [644827-2](#) [65817-](#)  
[010LF](#) [65817-015LF](#) [65863-015LF](#) [66207-023LF](#) [67095-007LF](#) [67601157](#) [68645-018](#) [68648-049](#) [70.362.1628.0](#) [70-4210](#) [70-4226B](#) [70-](#)  
[4853B](#) [707-5020](#) [707-5028](#) [71.350.2428.0](#) [71918-208LF](#) [71961-016LF](#) [733-134](#) [733-162](#) [754199-000](#) [760-3052](#) [787-8014-00](#) [79531-3000](#)  
[FCN-360C032-B](#) [FCN-367T-T012/H](#) [FCN-723D010/2](#) [80.063.4001.1](#) [800-90-001-10-001000](#) [800-90-010-10-002000](#) [801-43-002-10-013000](#)