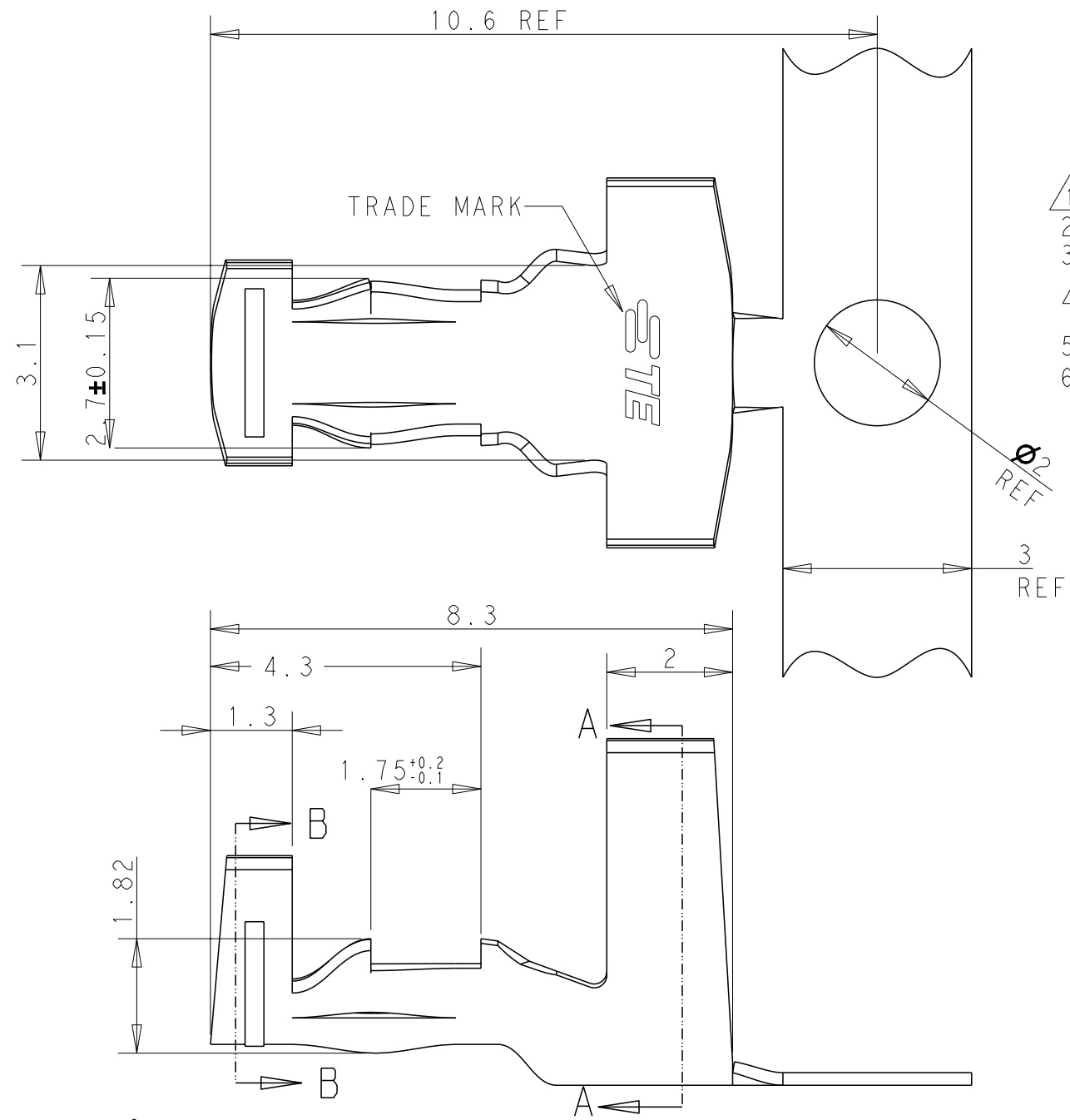
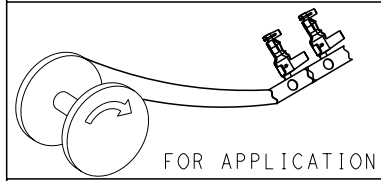
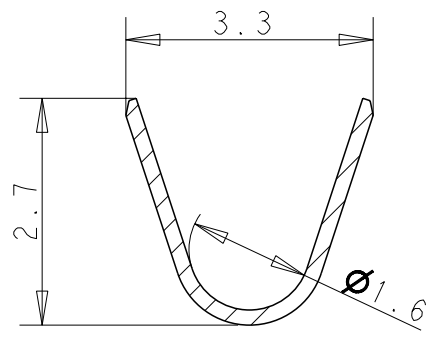


THIS DRAWING IS UNPUBLISHED. RELEASED FOR PUBLICATION 20
 © COPYRIGHT 20 BY - ALL RIGHTS RESERVED.

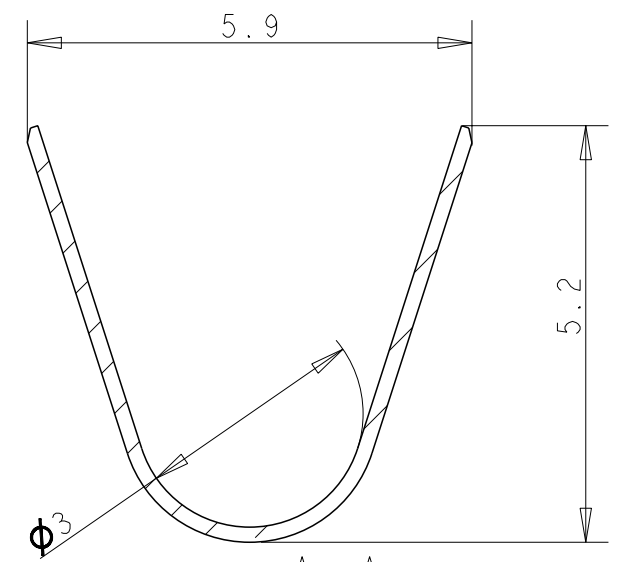
| REVISIONS | | | | | |
|-----------|-----|-----------------|-----------|-----|------|
| P | LTR | DESCRIPTION | DATE | DWN | APVD |
| | A | INITIAL RELEASE | 20FEB2023 | M.G | D.Z |
| | | | | | |
| | | | | | |



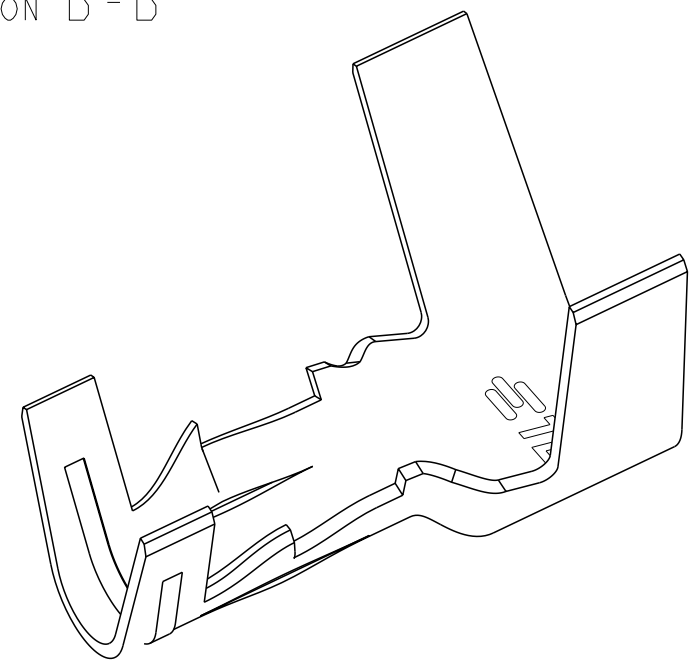
1. MATERIAL: COPPER ALLOY, PRE TIN
2. PACKAGE: REEL
3. APPLICATION FEED PITCH: 14MM
4. APPLICABLE WIRE: AWG18-16, INS DIA Ø2.8-3.4MM
5. RECOMMEND PCB HOLE DIA Ø2.35-2.45MM
6. RECOMMEND PCB THICKNESS 1.6 ± 0.05MM





SECTION B - B



SECTION A - A



| | |
|------------------|-------------|
| 2700PC/BOX | 2393222-1 |
| PACKAGE QUANTITY | PART NUMBER |

| | | | | | | | | | |
|--|--|--------------|------------|------------|---|----------------------------|------------|---------------|--------|
| THIS DRAWING IS A CONTROLLED DOCUMENT. | | DWN | M. GAO | 26-09-2021 |  TE Connectivity | BOARD-IN CONTACT S-TYPE | | | |
| DIMENSIONS: mm | | CHK | L. CHEN | 27-09-2021 | | | | | |
| | | APVD | D. ZHANG | 28-09-2021 | | | | | |
| TOLERANCES UNLESS OTHERWISE SPECIFIED: 0 PLC ±0.3 1 PLC ±0.3 2 PLC ±0.3 3 PLC ± 4 PLC ± ANGLES ±1° | | PRODUCT SPEC | 108-106642 | | | | NAME | | |
| MATERIAL  | | FINISH | PRE TIN | | SIZE | CAGE CODE | DRAWING NO | RESTRICTED TO | |
| | | | | | 114-106642 | 108-106642 | A300779 | C-2393222 | - |
| | | | | | WEIGHT | 0.150 | | SCALE | 10:1 |
| | | | | | CUSTOMER DRAWING | | | SHEET | 1 OF 1 |
| | | | | | | | | REV | A |

printed on 20 Feb 2023 13:27 (China Standard Time) from TE315078

X-ON Electronics

Largest Supplier of Electrical and Electronic Components

Click to view similar products for [Terminals category](#):

Click to view products by [TE Connectivity manufacturer](#):

Other Similar products are found below :

[00-054007-01074-6](#) [00-054007-70206-1](#) [00-054007-70210-8](#) [00-054007-70217-7](#) [00-054007-70228-3](#) [00-054007-70256-6](#) [00-054007-70316-7](#) [00-054007-49560-4](#) [00-054007-70209-2](#) [00-054007-70231-3](#) [00-054007-70241-2](#) [00-054007-70242-9](#) [00-054007-70246-7](#) [00-054007-70263-4](#) [00-054007-70288-7](#) [00-054007-70290-0](#) [00-054007-70300-6](#) [00-054007-70304-4](#) [01-2900-1-04412](#) [00581P0075](#) [600TS-10](#) [605601-1](#) [60598-1-CUT-TAPE](#) [60617-1-C](#) [61314-6-C](#) [61810-3](#) [62149-1](#) [626-0194](#) [63-S](#) [M55155/059I03](#) [M55155/079C01](#) [M55155/099B03](#) [M55155/099H02](#) [M55155/109H01](#) [M55155/12XH05](#) [M55155/29-5S](#) [M55155/29XJ08](#) [M55155/30-6S](#) [M55155/30-9S](#) [M55155/30XI09](#) [M6-14RSX](#) [696683-1](#) [696861-1](#) [696999-1](#) [M86700006](#) [D18-110B-C](#) [D18-110B-M](#) [701-1936](#) [701-1955](#) [701-2003](#)