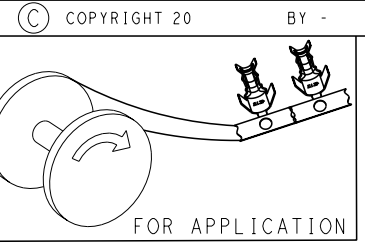
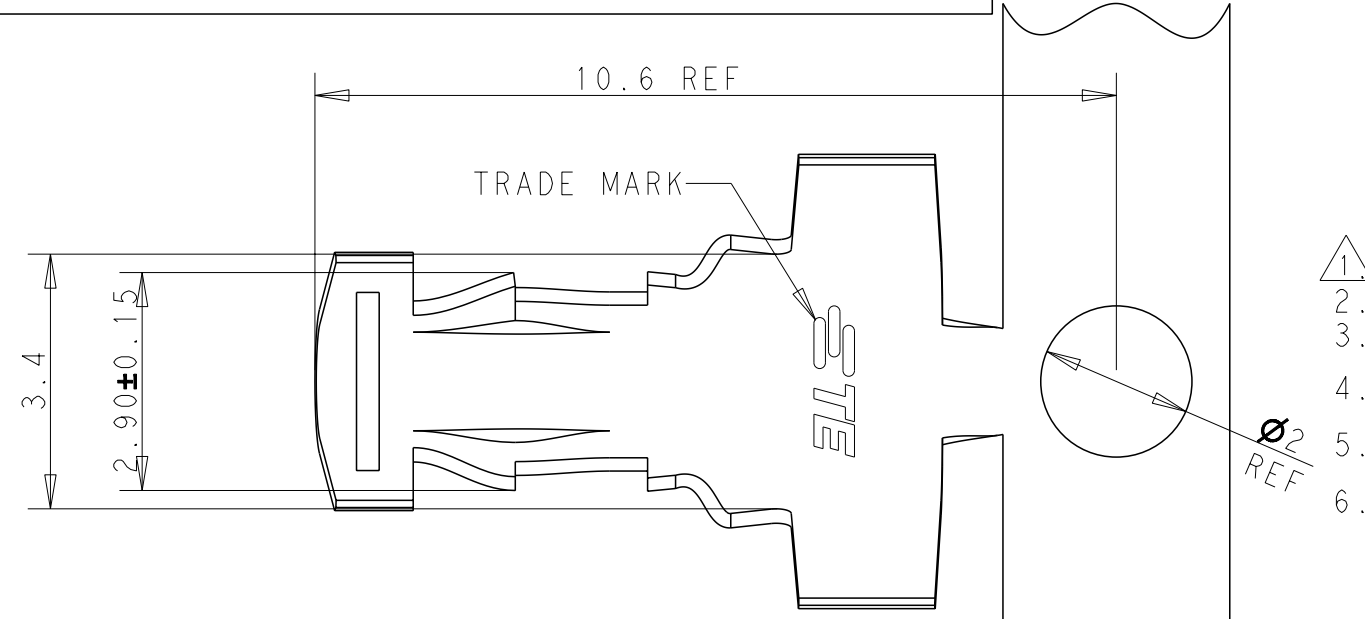


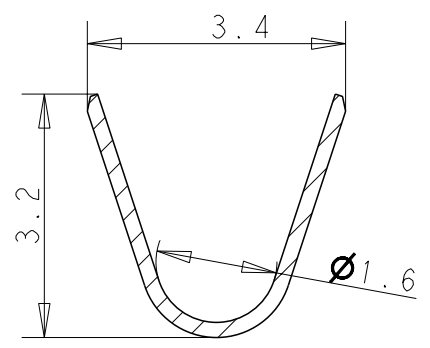
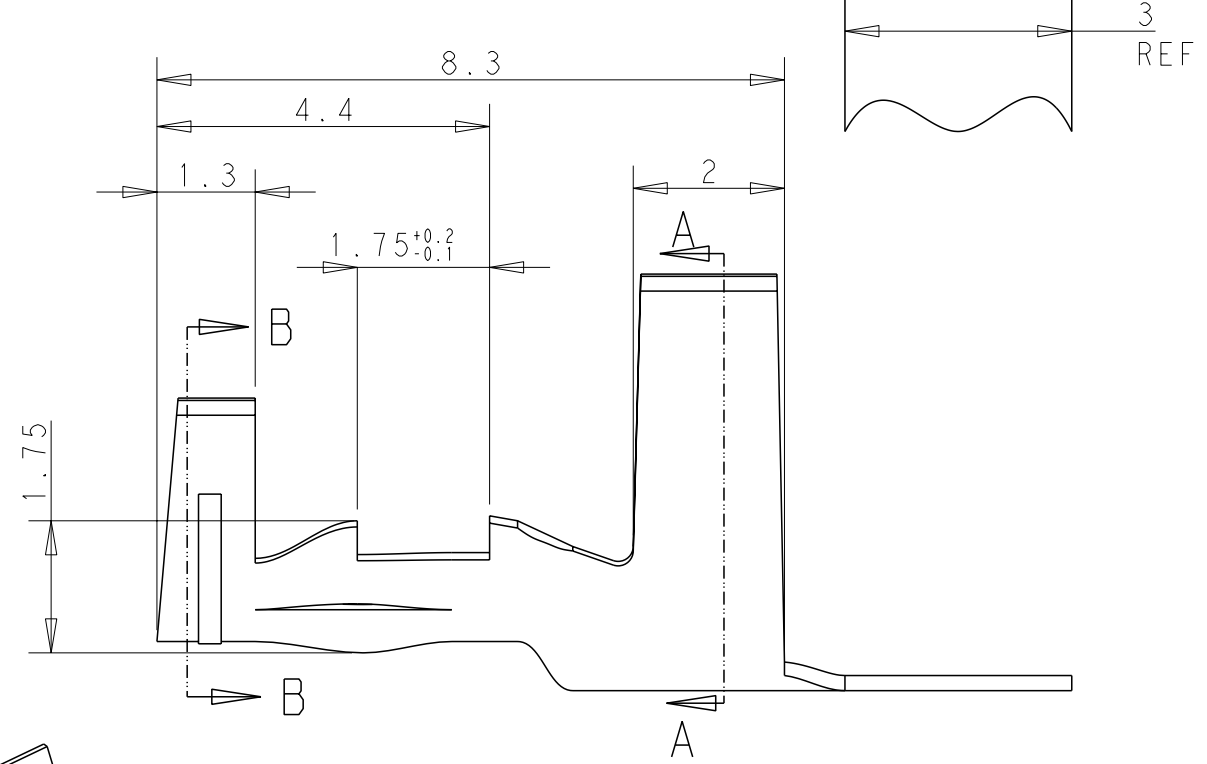
THIS DRAWING IS UNPUBLISHED. RELEASED FOR PUBLICATION 20 ALL RIGHTS RESERVED.



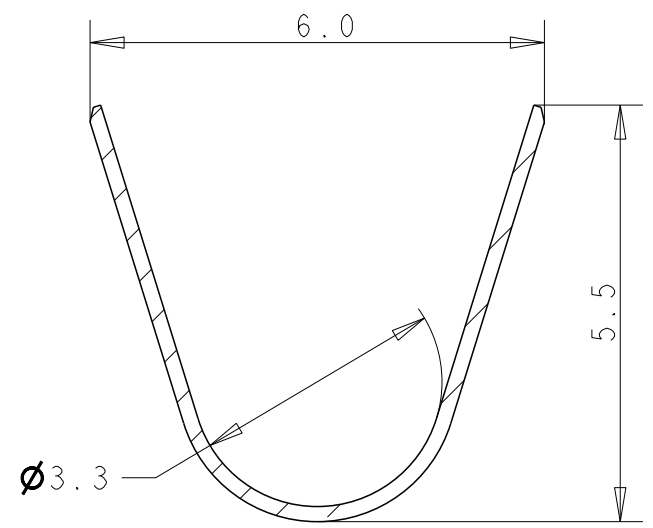
P	LTR	DESCRIPTION	DATE	DWN	APVD
	A	INITIAL RELEASE	20FEB2023	M.G	D.Z



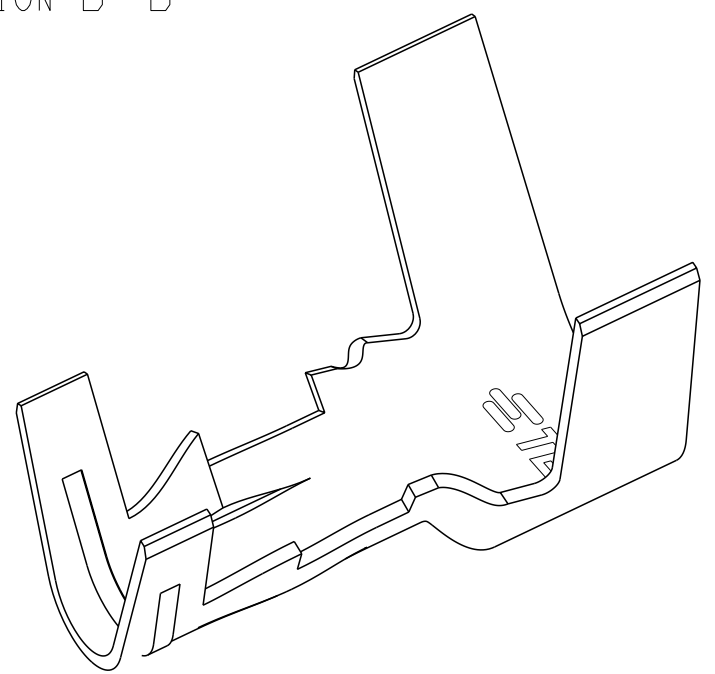
- 1. MATERIAL: COPPER ALLOY, PER TIN
- 2. PACKAGE: REEL
- 3. APPLICATION FEED PITCH: 14MM
- 4. APPLICABLE WIRE: AWG14, INS DIA Ø3.4-3.8MM
- 5. RECOMMEND PCB HOLE DIA: Ø2.5-2.6MM
- 6. RECOMMEND PCB THICKNESS: Ø1.6±0.05MM




SECTION B - B



SECTION A - A



2700PC/BOX	2393227-1
PACKAGE QUANTITY	PART NUMBER

THIS DRAWING IS A CONTROLLED DOCUMENT.		DWN	M. GAO	26.09.2021	 TE Connectivity NAME BOARD-IN CONTACT M-TYPE					
DIMENSIONS: mm		CHK	L. CHEN	27.09.2021						
TOLERANCES UNLESS OTHERWISE SPECIFIED:		APVD	D. ZHANG	29.09.2021						
0 PLC ±0.3 1 PLC ±0.3 2 PLC ±0.3 3 PLC ± 4 PLC ± ANGLES ±1°		PRODUCT SPEC	108-106642							
MATERIAL	FINISH	APPLICATION SPEC	114-106642		SIZE	CAGE CODE	DRAWING NO	RESTRICTED TO		
1	1 PRE-TIN	WEIGHT	0.154		A3	00779	C-2393227	-		
CUSTOMER DRAWING					SCALE	10:1	SHEET	1 OF 1	REV	A

printed on 20 Feb 2023 13:21 (China Standard Time) from TE315078

## X-ON Electronics

Largest Supplier of Electrical and Electronic Components

*Click to view similar products for [Terminals category](#):*

*Click to view products by [TE Connectivity manufacturer](#):*

Other Similar products are found below :

[00-054007-01074-6](#) [00-054007-70206-1](#) [00-054007-70210-8](#) [00-054007-70217-7](#) [00-054007-70228-3](#) [00-054007-70256-6](#) [00-054007-70316-7](#) [00-054007-49560-4](#) [00-054007-70209-2](#) [00-054007-70231-3](#) [00-054007-70241-2](#) [00-054007-70242-9](#) [00-054007-70246-7](#) [00-054007-70263-4](#) [00-054007-70288-7](#) [00-054007-70290-0](#) [00-054007-70300-6](#) [00-054007-70304-4](#) [01-2900-1-04412](#) [00581P0075](#) [600TS-10](#) [605601-1](#) [60598-1-CUT-TAPE](#) [60617-1-C](#) [61314-6-C](#) [61810-3](#) [62149-1](#) [626-0194](#) [63-S](#) [M55155/059I03](#) [M55155/079C01](#) [M55155/099B03](#) [M55155/099H02](#) [M55155/109H01](#) [M55155/12XH05](#) [M55155/29-5S](#) [M55155/29XJ08](#) [M55155/30-6S](#) [M55155/30-9S](#) [M55155/30XI09](#) [M6-14RSX](#) [696683-1](#) [696861-1](#) [696999-1](#) [M86700006](#) [D18-110B-C](#) [D18-110B-M](#) [701-1936](#) [701-1955](#) [701-2003](#)