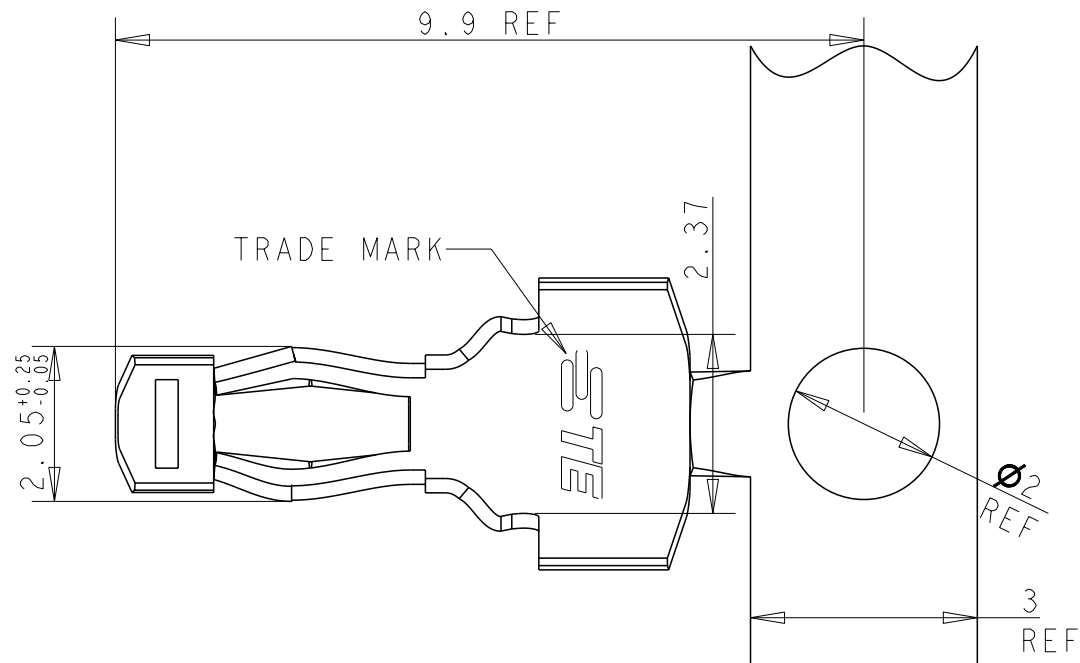
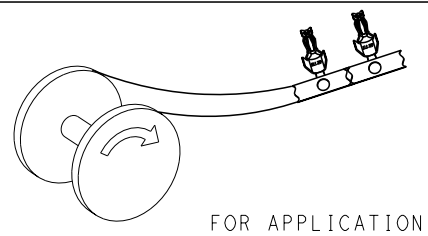
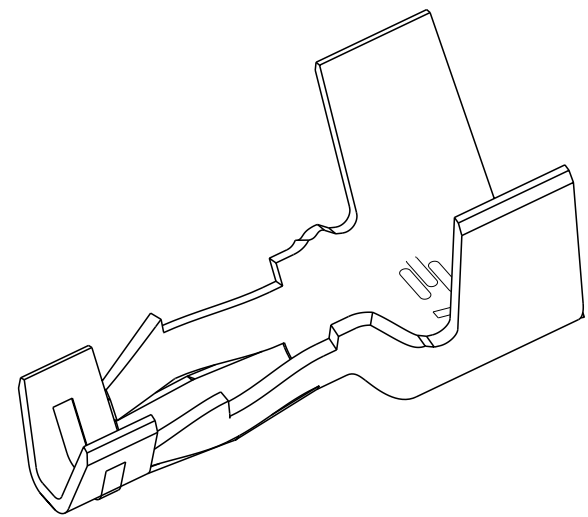
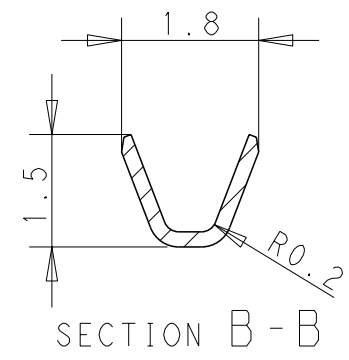
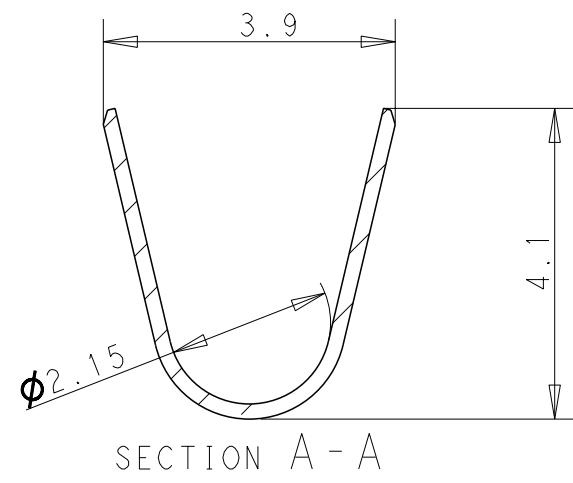
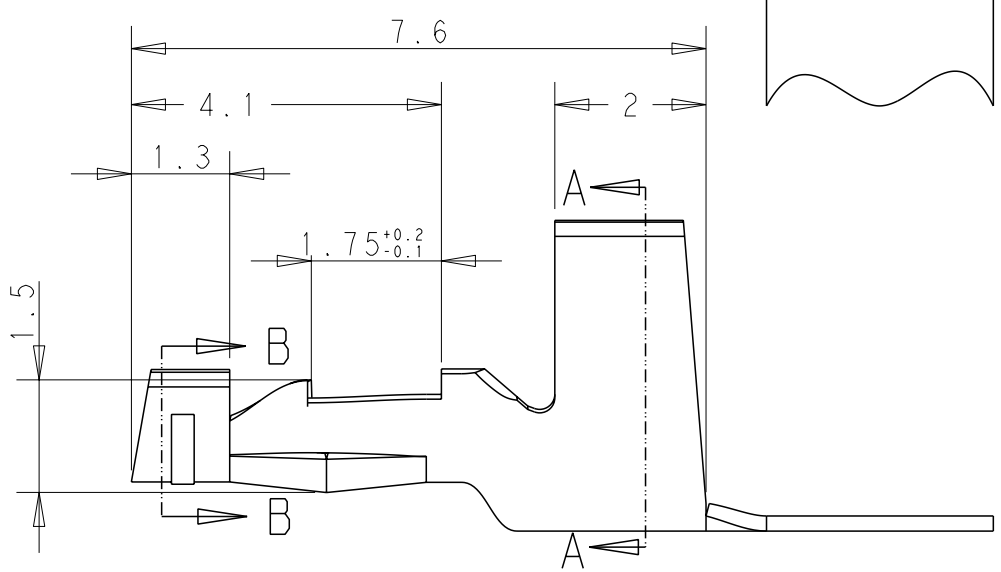


THIS DRAWING IS UNPUBLISHED. RELEASED FOR PUBLICATION 20
 © COPYRIGHT 20 BY - ALL RIGHTS RESERVED.

REVISIONS					
P	LTR	DESCRIPTION	DATE	DWN	APVD
	A	INITIAL RELEASE	20FEB2023	M.G	D.Z



- 1. MATERIAL: COPPER ALLOY, PRE TIN
- 2. PACKAGE: REEL
- 3. APPLICATION FEED PITCH: 14MM
- 4. APPLICABLE WIRE: AWG26-22, INS DIA Ø1.02-2.5MM
- 5. RECOMMEND PCB HOLE DIA: Ø1.8-1.9MM
- 6. RECOMMEND PCB THICKNESS: 1.6±0.05MM



3500PC/BOX	2393261-1
PACKAGE QUANTITY	PART NUMBER

THIS DRAWING IS A CONTROLLED DOCUMENT.		DWN	M. GAO	26-09-2021	TE Connectivity BOARD-IN CONTACT S-TYPE
DIMENSIONS: mm 		CHK	L. CHEN	27-09-2021	
		APVD	D. ZHANG	28-09-2021	
TOLERANCES UNLESS OTHERWISE SPECIFIED: 0 PLC ±0.3 1 PLC ±0.3 2 PLC ±0.3 3 PLC ± 4 PLC ± ANGLES ±1°		PRODUCT SPEC	108-106642		
MATERIAL		FINISH	PRE TIN		APPLICATION SPEC 114-106642
				WEIGHT	0.122
CUSTOMER DRAWING				SIZE	A3
				CAGE CODE	00779
				DRAWING NO	C-2393261
				RESTRICTED TO	-
				SCALE	10:1
				SHEET	1 OF 1
				REV	A

printed on 20 Feb 2023 13:54 (China Standard Time) from TE315078

X-ON Electronics

Largest Supplier of Electrical and Electronic Components

Click to view similar products for [Terminals category](#):

Click to view products by [TE Connectivity manufacturer](#):

Other Similar products are found below :

[00-054007-01074-6](#) [00-054007-70206-1](#) [00-054007-70210-8](#) [00-054007-70217-7](#) [00-054007-70228-3](#) [00-054007-70256-6](#) [00-054007-70316-7](#) [00-054007-49560-4](#) [00-054007-70209-2](#) [00-054007-70231-3](#) [00-054007-70241-2](#) [00-054007-70242-9](#) [00-054007-70246-7](#) [00-054007-70263-4](#) [00-054007-70288-7](#) [00-054007-70290-0](#) [00-054007-70300-6](#) [00-054007-70304-4](#) [01-2900-1-04412](#) [00581P0075](#) [600TS-10](#) [605601-1](#) [60598-1-CUT-TAPE](#) [60617-1-C](#) [61314-6-C](#) [61810-3](#) [62149-1](#) [626-0194](#) [63-S](#) [M55155/059I03](#) [M55155/079C01](#) [M55155/099B03](#) [M55155/099H02](#) [M55155/109H01](#) [M55155/12XH05](#) [M55155/29-5S](#) [M55155/29XJ08](#) [M55155/30-6S](#) [M55155/30-9S](#) [M55155/30XI09](#) [M6-14RSX](#) [696683-1](#) [696861-1](#) [696999-1](#) [M86700006](#) [D18-110B-C](#) [D18-110B-M](#) [701-1936](#) [701-1955](#) [701-2003](#)