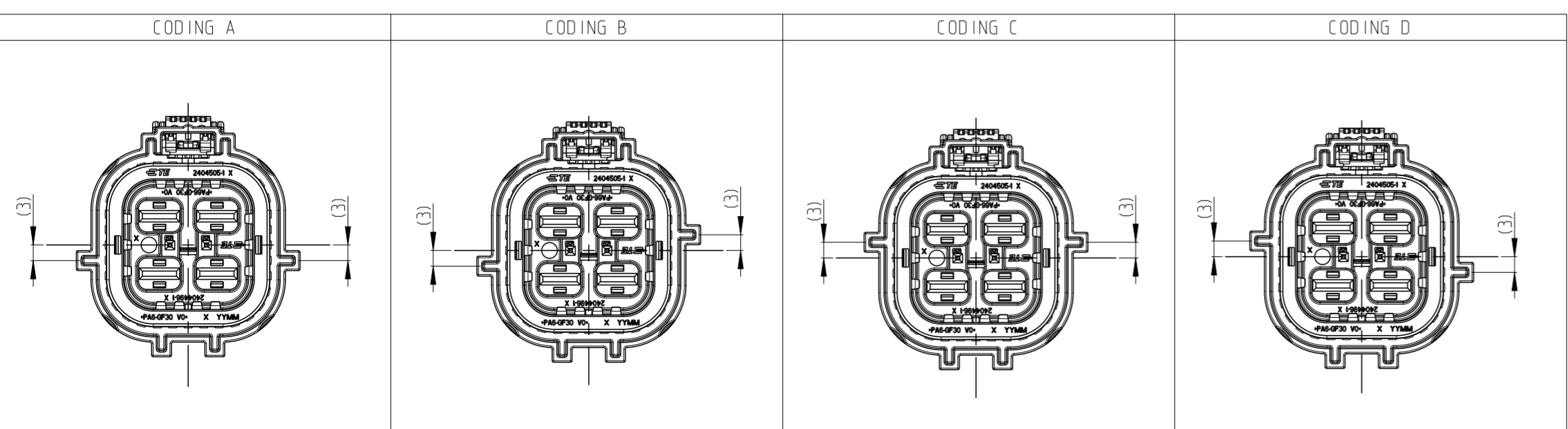


RATINGS	
MAX WORKING VOLTAGE	1000V DC
ELEVATION	5500m ABOVE SEA LEVEL
DIELECTRIC WITHSTAND VOLTAGE	4300V DC
ISOLATION RESISTANCE	>100MΩ
POLLUTION DEGREE	2
CURRENT CARRY CAPABILITY	40A (FOR 6mm ² WIRE)
APPLICATION TEMPERATURE	-40~+125°C
VIBRATION	LV215 SEVERITY 2
DEGREE OF SEALING	IP67, IP68, IP69K
DEGREE OF PROTECTION	OPEN: IPXXB CONNECTED: IPXXD

REVISIONS					
P	LTR	DESCRIPTION	DATE	DWN	APVD
A		RELEASED	22APR22	X.L	E.J
A1		ECN-22-186413	23NOV22	X.F	E.J
A2		ECN-23-231355	12SEP23	J.F	E.J

- 1. MATERIAL SEE TABLE
- 2. MATING PARTS SEE PACKAGE DRAWING 2406990
- 3. PIN CAVITY NUMBER MARKING

QTY PER ASSY PARTS	PARTS LIST						
1	1	1	1	CPA	PA66	RED	7
1	1	1	1	SEAL RETAINER	PA6	NATURE	6
1	1	1	1	PREIPHERAL SEAL	SILICONE	GREEN	5
1	1	1	1	INNER HOUSING	PA66	NATURE	4
2	2	2	2	MQS TERMINAL	/	Ag	3
1	1	1	1	SHIELDING	COOPER ALLOY	Sn	2
1				OUTER HOUSING CODING D	PA66	ORANGE	1
	1			OUTER HOUSING CODING C	PA66	ORANGE	1
		1		OUTER HOUSING CODING B	PA66	ORANGE	1
			1	OUTER HOUSING CODING A	PA66	ORANGE	1
240653-4	240653-3	240653-2	240653-1	DESCRIPTION	MATERIAL	COLOR SURFACE	ITEM



THIS DRAWING IS A CONTROLLED DOCUMENT.

DIMENSIONS: mm

TOLERANCES UNLESS OTHERWISE SPECIFIED:

0 PLC	±0.8
1 PLC	±0.5
2 PLC	±
3 PLC	±
4 PLC	±
ANGLES	±
FINISH	±

MATERIAL: -

APPROVALS:

DWN	X.LI	25JAN2022
CHK	R.CHEN	22APR2022
APVD	F.JIANG	22APR2022

PRODUCT SPEC: 108-160496

APPLICATION SPEC: 114-160249

WEIGHT: -

CUSTOMER DRAWING

STE TE Connectivity

NAME: HVA630 4P PLUG ASSY

SIZE: A2

CAGE CODE: 100779

DRAWING NO: C-2404653

RESTRICTED TO: -

SCALE: 1:1

SHEET: 1 OF 1

REV: A2

X-ON Electronics

Largest Supplier of Electrical and Electronic Components

Click to view similar products for [Automotive Connectors](#) category:

Click to view products by [TE Connectivity](#) manufacturer:

Other Similar products are found below :

[003-018-000](#) [60993906-B](#) [72.330.1035.1](#) [776880-1](#) [827153-1](#) [9-1326729-8](#) [9-221607-5](#) [925474-1](#) [928905-1](#) [964562-4](#) [968782-1](#) [12004468](#)
[12004475-L](#) [12004483](#) [12052466](#) [12066163](#) [12015909](#) [12077753](#) [1-21030-1](#) [12047957](#) [12047958](#) [12084688](#) [12185550](#) [12336-12](#) [1-](#)
[326211-1](#) [13681974](#) [13688972](#) [13755420](#) [13779834](#) [13783086](#) [13843152](#) [13522378](#) [13581967](#) [13669624](#) [13675513](#) [13753471](#) [13946876](#)
[13953457](#) [13955963](#) [13964573](#) [13971791](#) [13790534-L](#) [13797473](#) [13805590](#) [13888202](#) [13969981](#) [1428188-1](#) [1437287-3](#) [1428188-2](#) [DS07-](#)
[19S-5020](#)