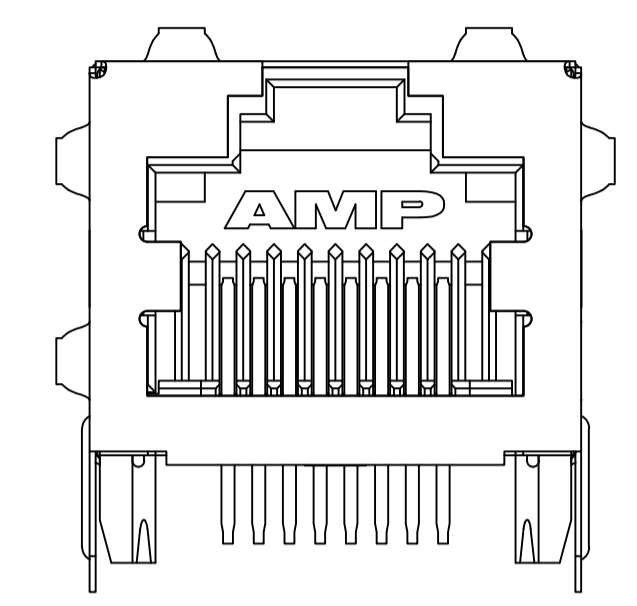
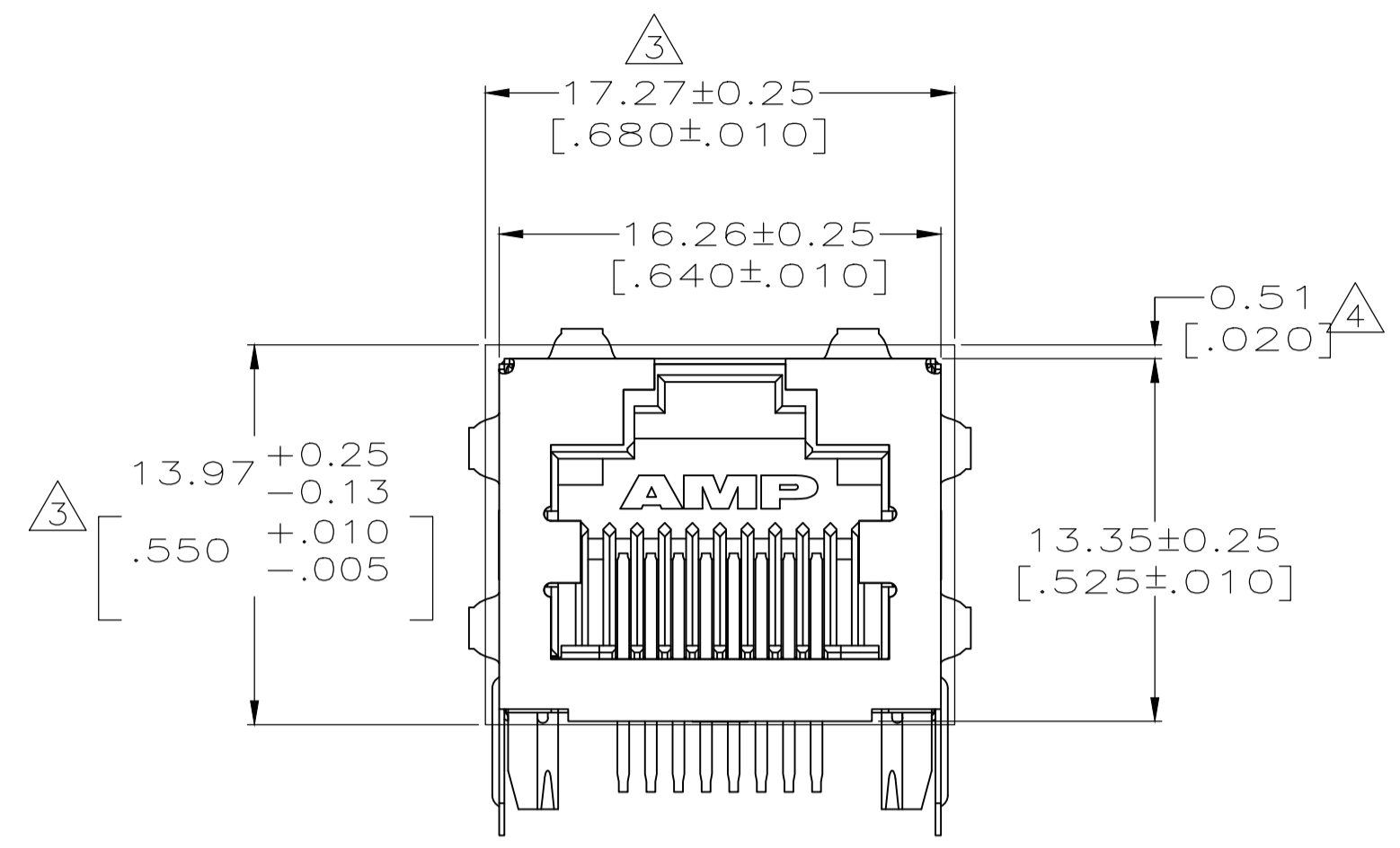
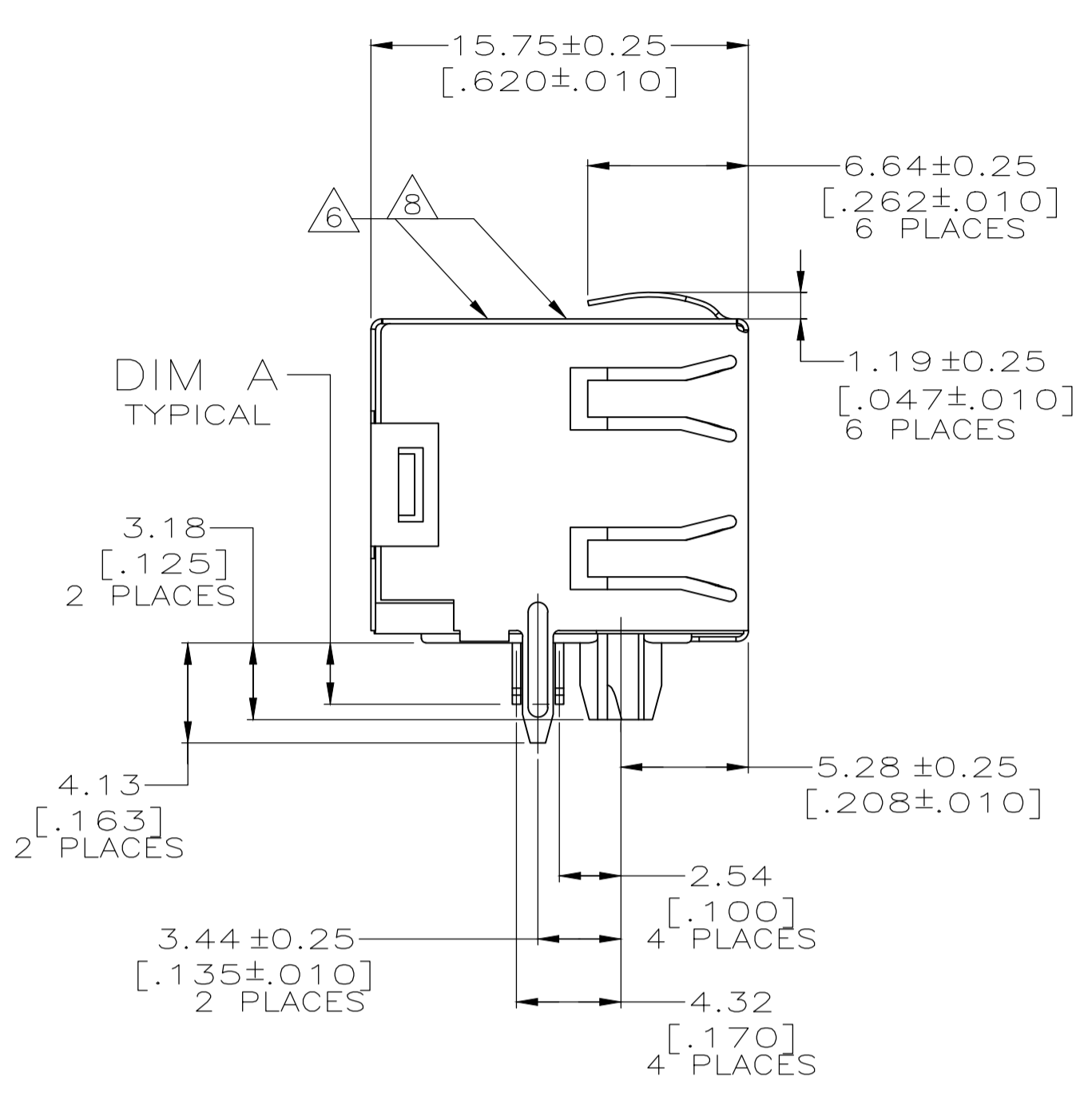


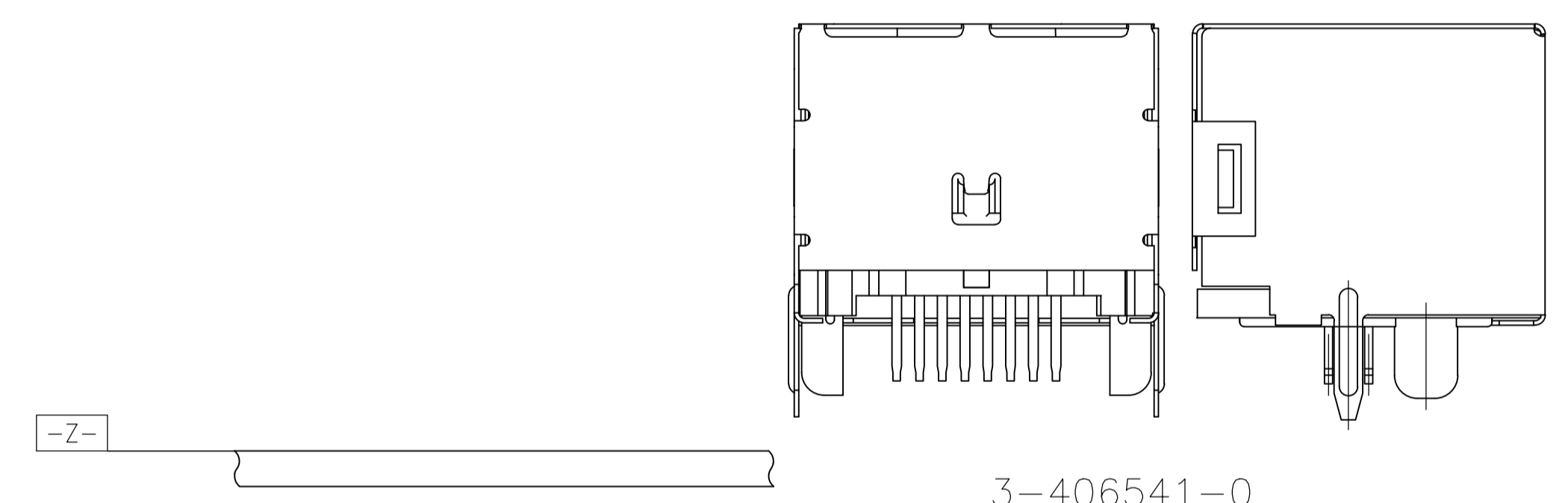
REVISIONS				
P	LTR	DESCRIPTION	DATE	BY
T	REVISED PER	ECO-19-019621	28FEB2020	VM SH



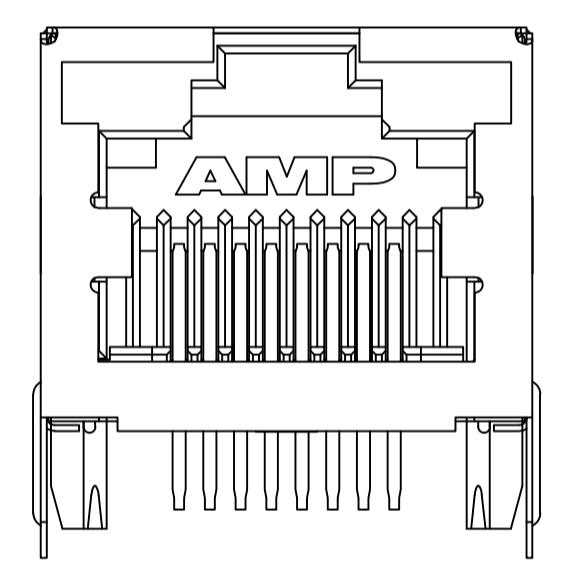
406541-1, -3, & -6
1-406541-1, -3, -6 & 1--9&2--6

406541-4
1-406541-4
WITHOUT LOWER
RIGHT PANEL GROUND

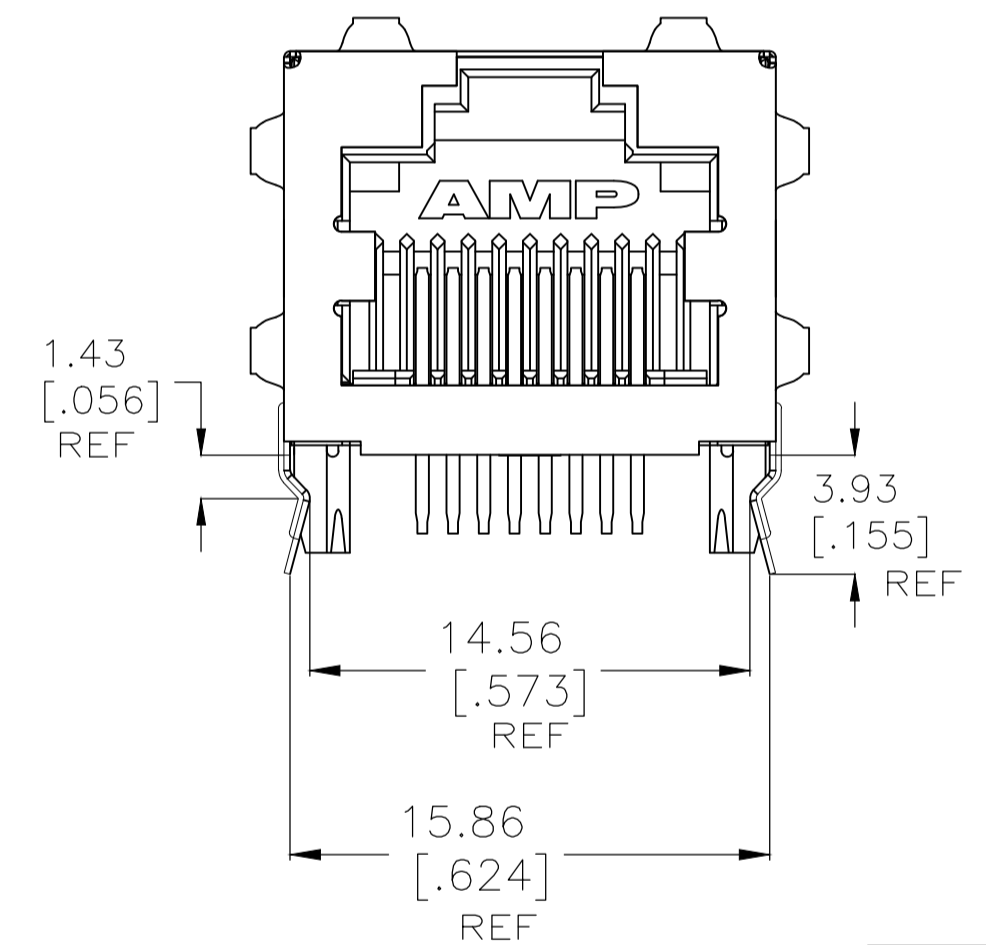
- REFLOW SOLDERING PROCESS COMPATIBLE
- MATERIAL:
HOUSING - HIGH TEMPERATURE THERMOPLASTIC, COLOR: BLACK, UL94V-0
TERMINALS - 0.36[.014] THICK PHOS BRONZE PLATED WITH 3.81µm[.000150] MINIMUM THICK (SEE P/N TABLE) IN SOLDER AREA. 1.27µm[.000050] MINIMUM GOLD IN LOCALIZED PLATE AREA. ENTIRE TERMINAL PLATED WITH 1.27µm[.000050] MINIMUM THICK NICKEL.
SHIELD - 0.196[.0077] THICK COPPER ZINC ALLOY PREPLATED WITH 1.27µm[.000050] MINIMUM SATIN NICKEL WITH 2.03µm[.000080] MINIMUM TIN POST DIPPED ON PCB GROUND TABS.
- JACK CAVITY CONFORMS TO FCC RULES AND REGULATIONS PART 68, SUBPART F.
- SUGGESTED PANEL OPENING DIMENSIONS.
- SUGGESTED CLEARANCE BETWEEN TOP OF CONNECTOR AND TOP PANEL OPENING.
- ON 406541-4 & 1-406541-4 LOWER RIGHT HAND PANEL GROUND TAB IS NOT PRESENT.
- MANUFACTURING DATE CODE: LOCATED APPROX. AS SHOWN. FIRST 2 DIGITS = LAST 2 DIGITS OF YEAR. NEXT 2 DIGITS = MANUFACTURING WORK WEEK, LAST DIGIT = DAY OF WEEK WITH SUNDAY = 1.
- OBSOLETE PARTS: OBSOLETE CIS STREAMLINING PER D.RENAUD/D.SINISI
- ADD PN ON TOP SURFACE FOR REQUIRED PARTS



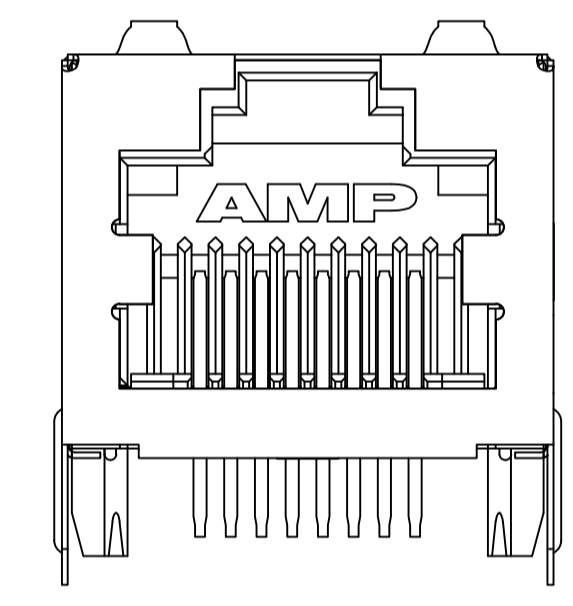
3-406541-0
NARROW POST TYPE



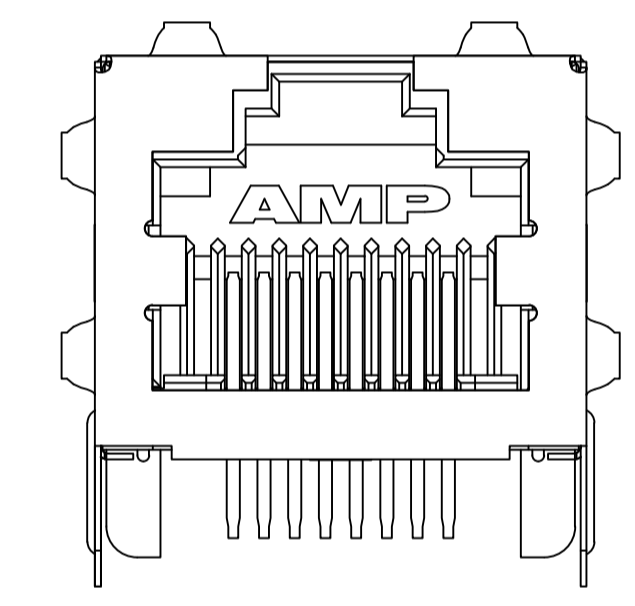
406541-5
1-406541-5
1-406541-8
4-406541-8
WITHOUT PANEL GROUNDS



1-406541-7, 2-406541-7



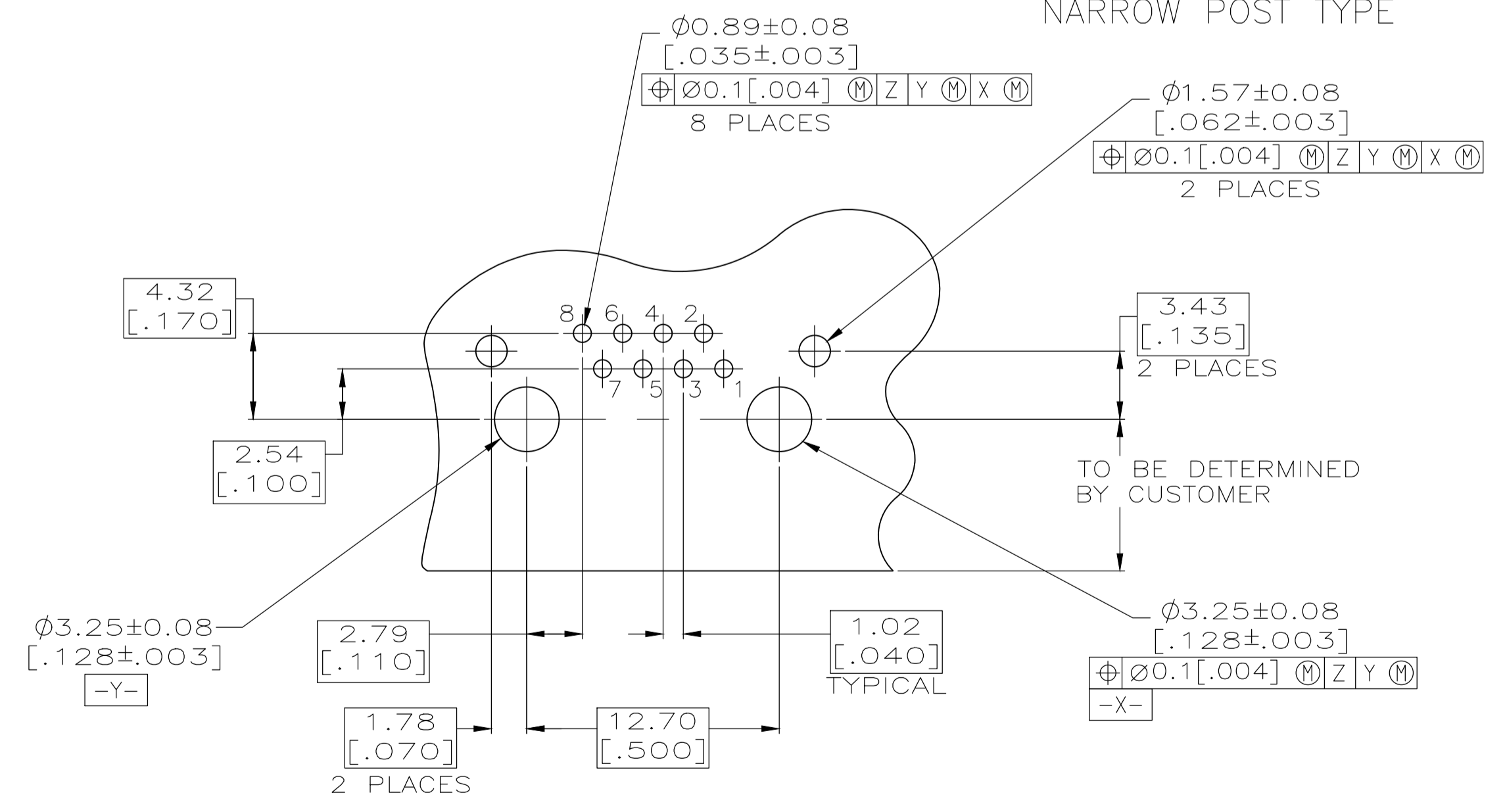
2-406541-1
2-406541-4



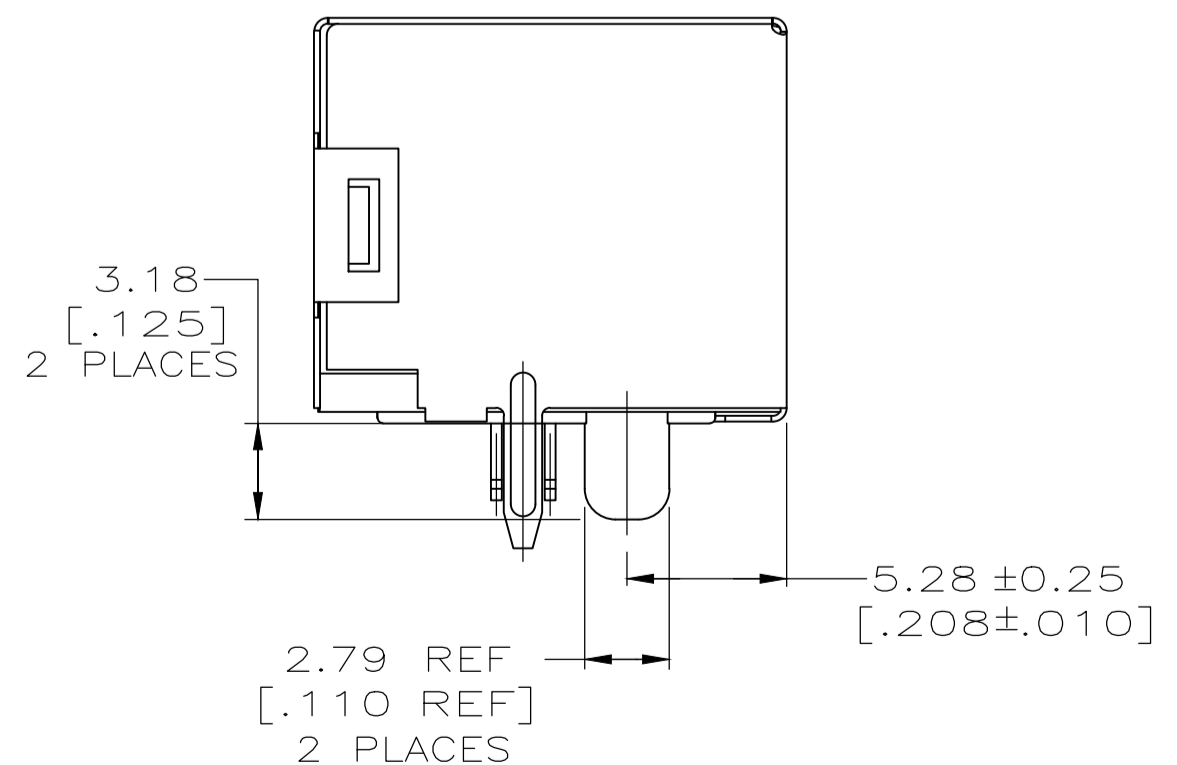
2-406541-3

WITHOUT SIDE PANEL GROUND NARROW POST TYPE

TERMINAL PLATING	PACKAGING	PANEL GROUNDS	DIM A	PART NUMBER
	TAPE/REEL	0	2.54 [0.100]	3-406541-1
	TAPE/REEL	0	2.54 [0.100]	4-406541-8
	TRAY	6	2.54 [0.100]	3-406541-0
	TRAY	6	2.54 [0.100]	2-406541-7
	TRAY	6	3.56 [0.140]	2-406541-6
	TRAY	2	2.54 [0.100]	2-406541-4
	TRAY	6	3.05 [0.120]	2-406541-3
	TRAY	0	2.54 [0.100]	2-406541-2
	TRAY	2	2.54 [0.100]	2-406541-1
	TRAY	0	2.54 [0.100]	2-406541-0
	TRAY	6	3.05 [0.120]	1-406541-9
	TRAY	0	2.54 [0.100]	1-406541-8
	TRAY	6	2.54 [0.100]	1-406541-7
	TRAY	6	3.56 [0.140]	1-406541-6
	TRAY	0	2.54 [0.100]	1-406541-5
	TRAY	5	2.54 [0.100]	1-406541-4
	TRAY	6	2.00 [0.079]	1-406541-3
	TRAY	6	2.54 [0.100]	1-406541-1
	TRAY	6	3.56 [0.140]	406541-6
	TRAY	0	2.54 [0.100]	406541-5
	TRAY	5	2.54 [0.100]	406541-4
	TRAY	6	2.00 [0.079]	406541-3
	TRAY	6	2.54 [0.100]	406541-1



SUGGESTED PRINTED CIRCUIT BOARD LAYOUT
(COMPONENT SIDE)



2-406541-0, 2-2,3-1
NARROW POST TYPE

THIS DRAWING IS A CONTROLLED DOCUMENT.		DIN IS/LA.MAYER 09JAN2008	
DIMENSIONS: mm [INCHES]		CHK J.WESTMAN 09JAN2008	
TOLERANCES UNLESS OTHERWISE SPECIFIED:		APVD S.FLICKINGER 09JAN2008	
0 PLC ± -	1 PLC ± -	NAME	
2 PLC ± 0.25[0.010]	3 PLC ± -	PRODUCT SPEC	
4 PLC ± -	ANGLES ± -	APPLICATION SPEC	
MATERIAL SEE TABLE	FINISH SEE TABLE	WEIGHT 0.000000	SIZE CAGE CODE DRAWING NO RESTRICTED TO
CUSTOMER DRAWING		A1 00779	SCALE 4:1 SHEET 1 OF 1 REV T

X-ON Electronics

Largest Supplier of Electrical and Electronic Components

Click to view similar products for [Modular Connectors / Ethernet Connectors](#) category:

Click to view products by [TE Connectivity](#) manufacturer:

Other Similar products are found below :

[8949-H88/06BLKA/SN](#) [74441-0010/BKN](#) [MP1010RX-1000](#) [MP44RX-1000](#) [PHJ-4P4C-1-V-4](#) [PHP-6P6C-5](#) [GAX-3-66](#) [GAX-8-62](#) [GDCX-PA-66-50](#) [GDCX-PN-64](#) [GDCX-PN-66](#) [GDCX-PN-66-50](#) [GDLX-A-66](#) [GDLX-N-66](#) [GDLX-S-66](#) [GDLX-S-88K](#) [GDTX-S-88-50](#) [GDX-PA-1010](#) [GLX-N-1010M-BLK](#) [GLX-S-88M-BLK](#) [GMX-N-1010](#) [GMX-S-1010](#) [GMX-S-66](#) [GMX-SMT4-N-88](#) [GPX-2-64](#) [GSGX-N-2-88](#) [GSGX-N-4-88](#) [GSX-NS2-88-3.05](#) [GSX-NS2-88-3.05-50](#) [GSX-NS-88-3.05-50](#) [PT-108A-8C-UL](#) [PT-J951-8C](#) [PTS-J531-8CS-50UL](#) [1-1775629-2](#) [A-2014-0-4](#) [GWLX-S-88-GR](#) [GWLX-S9-88-YG](#) [DC-1021-8-WH-6](#) [1300530003](#) [1324640-4](#) [RJ11FTVC2G](#) [RJ11FTVC2N](#) [RJFTVX2SA1G](#) [132764-001](#) [1413235](#) [MP88X-1000](#) [MPS88RX-5000](#) [E5288-S000K3-L](#) [E5908-15A242-L](#) [155302-001](#)