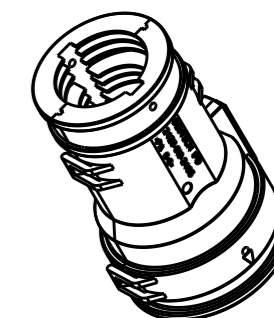
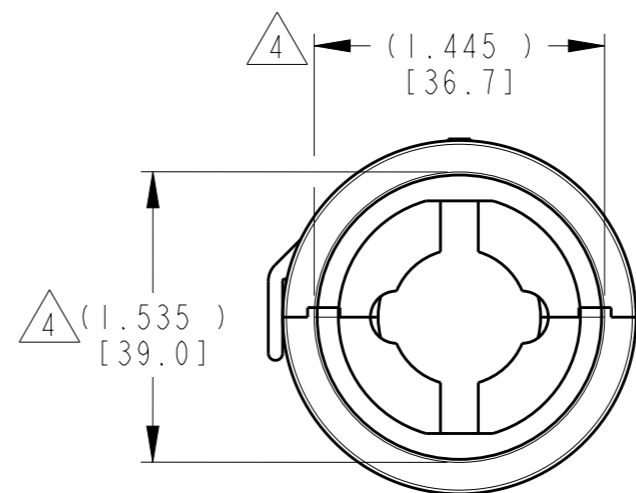
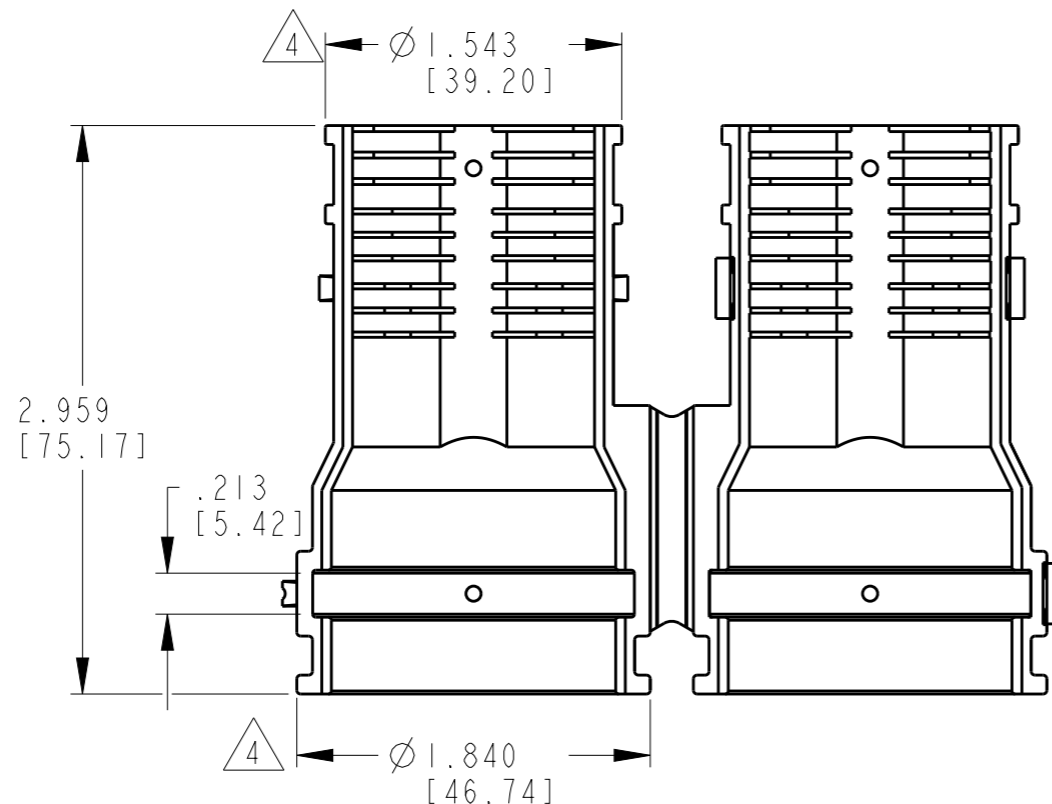


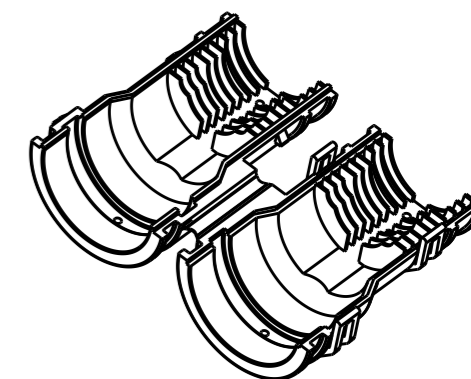
(C) 2019 TE Connectivity. All Rights Reserved.

REVISIONS

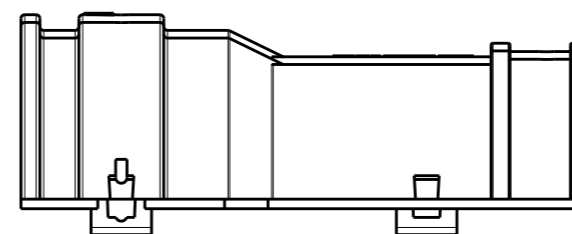
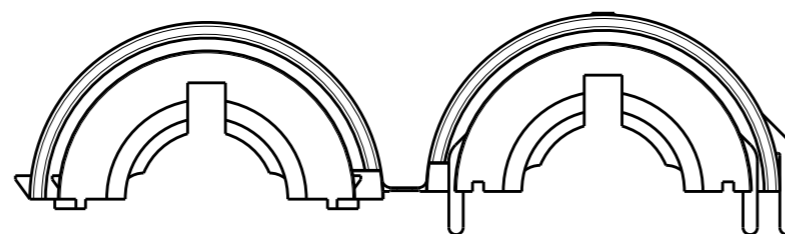
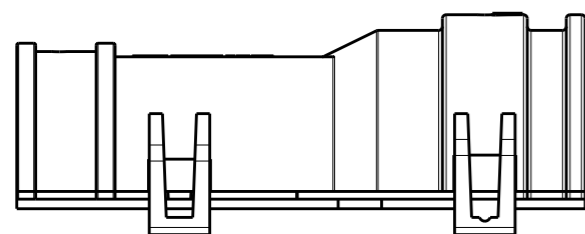
P	LTR	DESCRIPTION	DATE	DWN	APVD
B		REVISED PER PCN E-19-009430	14JUN2019	MK	CF
K		REVISED TO MATCH THE PART REVISION	06NOV2019	MK	CF
K1		REVISION RECORD UPDATED	12NOV2019	MK	CF



3-D VIEW
CLOSED



3-D VIEW
OPEN



OVAL SHAPE
AFTER DEMOLDING

4 CIRCULAR DIMENSIONS CAN NOT BE MEASURED WITHOUT USING A GAGE OR AN ADEQUATE CONNECTOR DUE TO WARPAGE AFTER DEMOLDING.

3 MATERIAL: NYLON 66, COLOR: BLACK

2. SUITABLE WITH CORRUGATED TUBES SIZE NW 17, 19 AND 26.

1. THIS PART MATES WITH HDP24/26-24-XP/SX-L017.

NOTES:

TE INTERNAL PN	DEUTSCH PN
2428-010-2405	ZPF000000000146919

THIS DRAWING IS A CONTROLLED DOCUMENT.		DWN R. MESSENGER 20OCT2004	TE Connectivity													
DIMENSIONS: INCH[mm]		CHK A. JAIME 30SEP2008														
TOLERANCES UNLESS OTHERWISE SPECIFIED:		APVD R. REED 01OCT2008	NAME BACKSHELL STRAIGHT SIZE 24 HDP L017 MODS ONLY TUBE SIZE NW 17, 19 AND 26													
<table border="1"> <tr> <td>0 PLC</td> <td>±-</td> </tr> <tr> <td>1 PLC</td> <td>±-</td> </tr> <tr> <td>2 PLC</td> <td>±-</td> </tr> <tr> <td>3 PLC</td> <td>±.025[0.63]</td> </tr> <tr> <td>4 PLC</td> <td>±-</td> </tr> <tr> <td>ANGLES</td> <td>±0° 30' 0"</td> </tr> </table>		0 PLC	±-	1 PLC	±-	2 PLC	±-	3 PLC	±.025[0.63]	4 PLC	±-	ANGLES	±0° 30' 0"	PRODUCT SPEC -	SIZE A3	CAGE CODE 4AFU8
0 PLC	±-															
1 PLC	±-															
2 PLC	±-															
3 PLC	±.025[0.63]															
4 PLC	±-															
ANGLES	±0° 30' 0"															
MATERIAL		APPLICATION SPEC -	DRAWING NO 2428-010-2405	RESTRICTED TO -												
FINISH		WEIGHT 29 g	SCALE 1:1	SHEET 1 OF 1												
3		CUSTOMER DRAWING	REV K1													

X-ON Electronics

Largest Supplier of Electrical and Electronic Components

Click to view similar products for [Automotive Connectors](#) category:

Click to view products by [TE Connectivity](#) manufacturer:

Other Similar products are found below :

[003-018-000](#) [60403001](#) [60993906-B](#) [M902-2131](#) [M902-2161](#) [M902-2344](#) [72.330.1035.1](#) [73.353.4028.0](#) [F119300-B](#) [F166900](#) [F258300-B](#)
[F358300-B](#) [F407400](#) [F444110](#) [F487000](#) [F509500B-B](#) [827153-1](#) [8N1515-32-24P](#) [9-1326729-8](#) [925474-1](#) [928905-1](#) [964562-4](#) [968782-1](#)
[GT17SA-8DS-HU](#) [98891-1012](#) [98947-1016](#) [12004147](#) [12004475-L](#) [12010290](#) [12010309-B](#) [12015454](#) [12020219-B](#) [12041318-B](#) [12052225-](#)
[L](#) [12052466](#) [12064869](#) [12004327-B](#) [12015308](#) [12015384](#) [12015909](#) [1-21030-1](#) [12041254](#) [12041318](#) [12047946-B](#) [12047957](#) [12047957-L](#)
[12059473](#) [12066261](#) [12110546](#) [12110546-B](#)